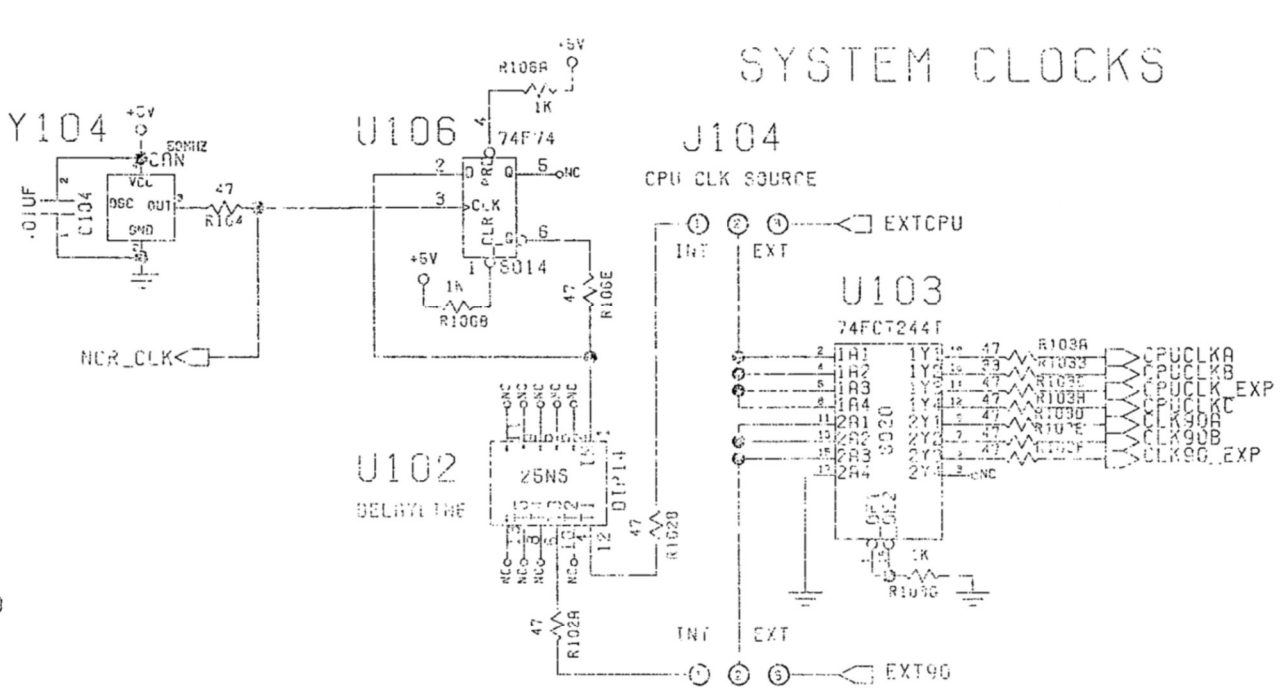
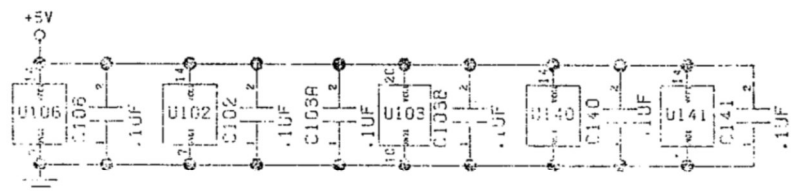


PCB MOUNTING HOLES



DECOUPLING



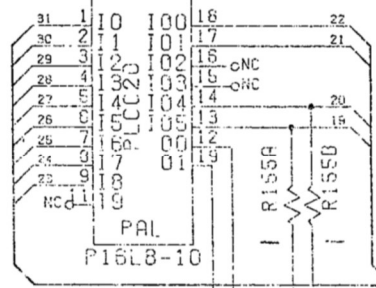
100-149

CLOCKS

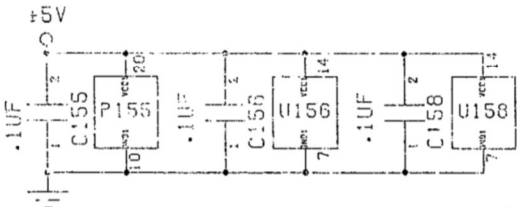
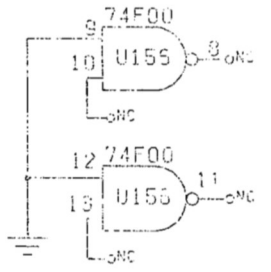
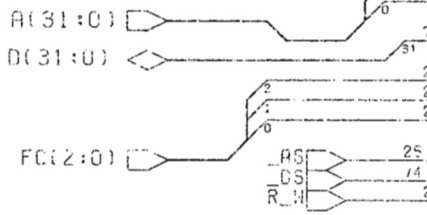
LEND U141-SUB TO SCSI
LEND U141-SUB TO HARDDISK
LEND U106-SUB TO GARY

	PROJECT: 365149 DATE: 11/17/82 SCALE: 80% SHEET: 2 OF 16	COMMODORE SCHEMATIC R4000T
	C.R.D. GENERATED NO MANUAL CHANGES MAY BE MADE TO THIS DOCUMENT	365149 365150

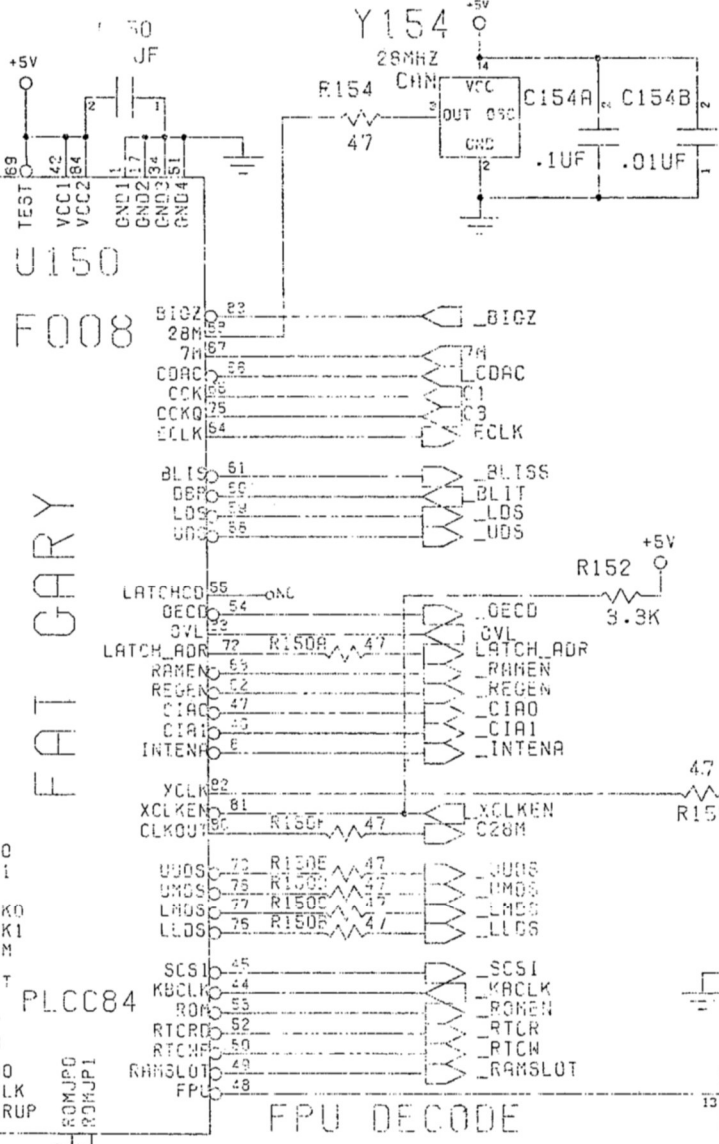
BIGROM P155



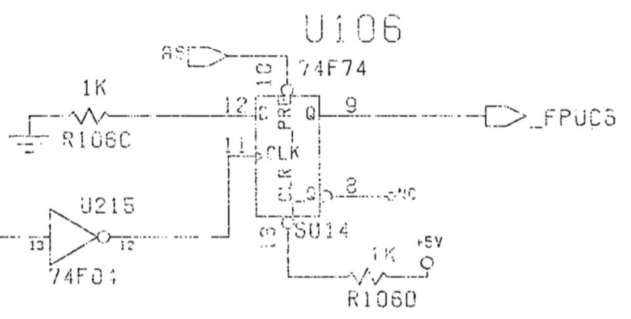
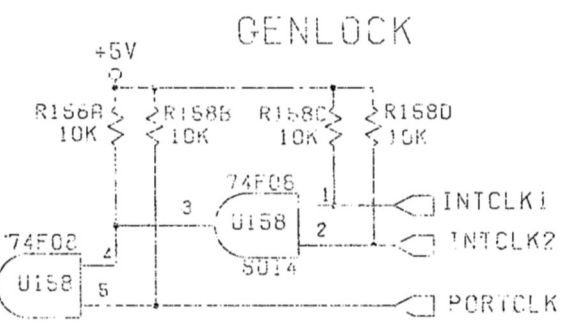
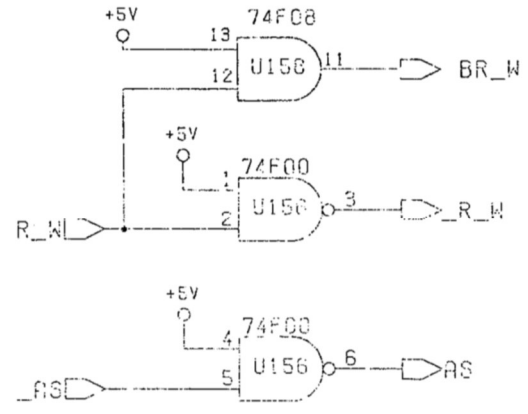
NOTE: ONLY STUFF R155A,B IF P155 PAL IS NOT INSTALLED.



LEND U158-SUB TO PAULA
BORROW U215-SUB FROM ALICE
BORROW U106-SUB FROM CLOCKS



J151
ROMSPEED OPEN = 200NS
 CLOSED = 160NS



150-159

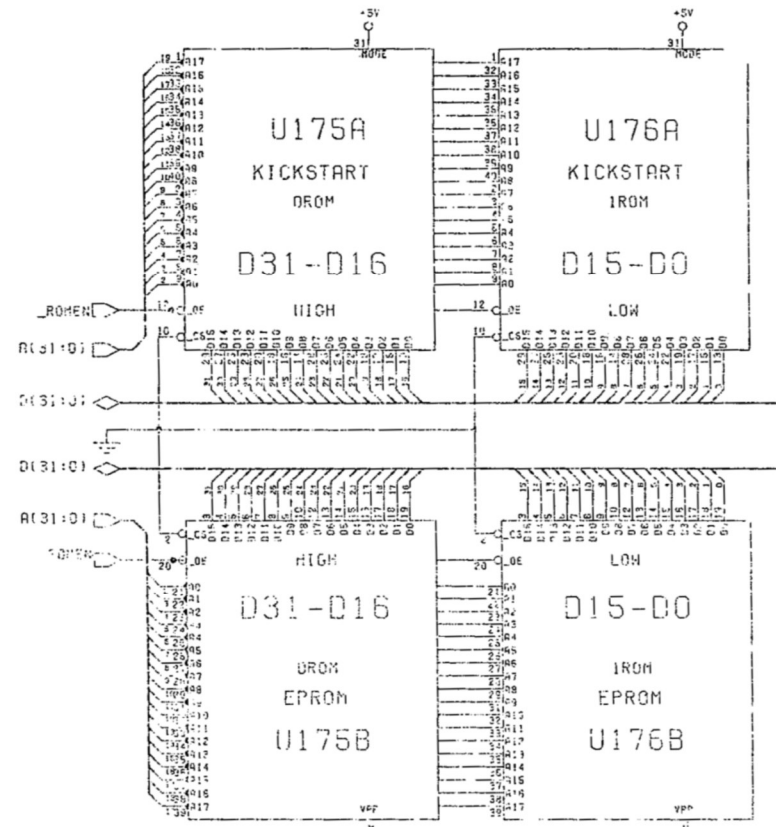
© 1990 COMMODORE BUSINESS MACHINES
INFORMATION CONTAINED HEREIN IS THE UNPUBLISHED,
CONFIDENTIAL AND TRADE SECRET PROPERTY OF
COMMODORE BUSINESS MACHINES, INC. ANY USE,
REPRODUCTION OR DISCLOSURE OF THIS INFORMATION
WITHOUT THE PRIOR WRITTEN PERMISSION OF
COMMODORE IS STRICTLY PROHIBITED.

C.A.D. GENERATED

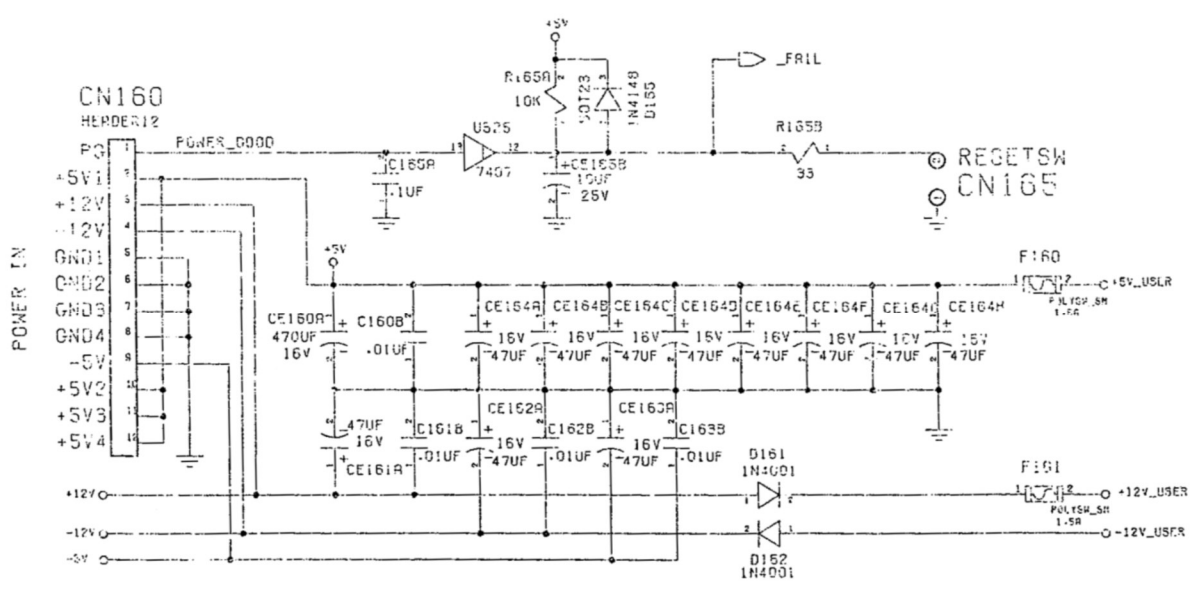
NO REVISIONS MAY BE MADE TO THIS DOCUMENT

	DESIGNER: FAT GARY	DATE: 11/22/90	COMMODORE SCHEMATIC A4000T
	CHKD: ENGR: PAL	DATE: 11/22/90	
REFERENCE GROUP:		SIZE: C	365149 SCALE: NONE SHEET 3 OF 16
URFD BY: R47001	NEXT ASSY: 365150	REV: C	

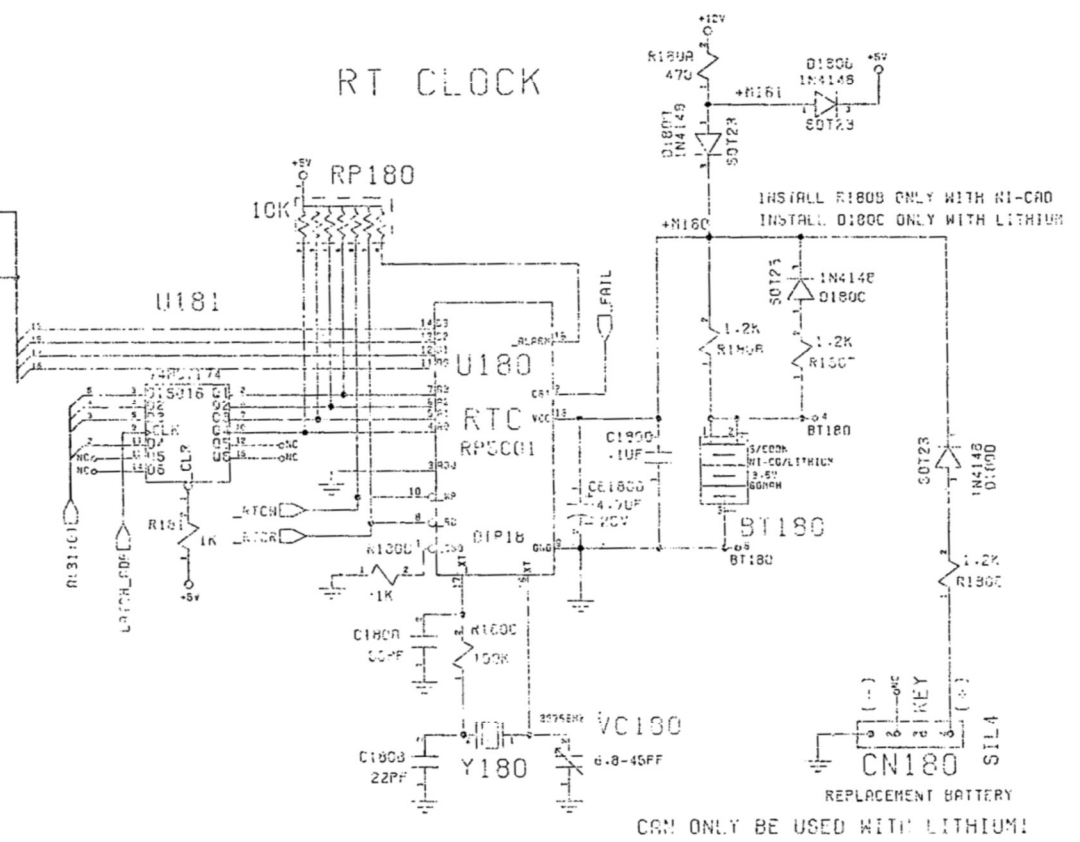
SYSTEM ROMS (27C400)



SYSTEM EPROMS (27C220)



RTC CLOCK

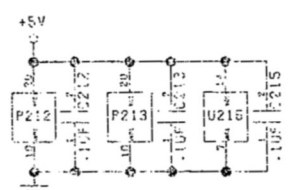
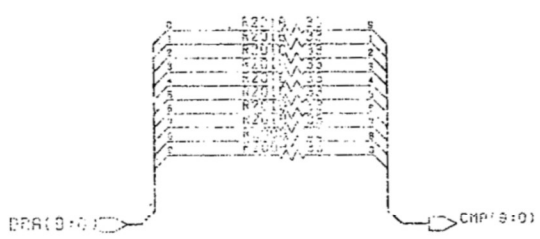
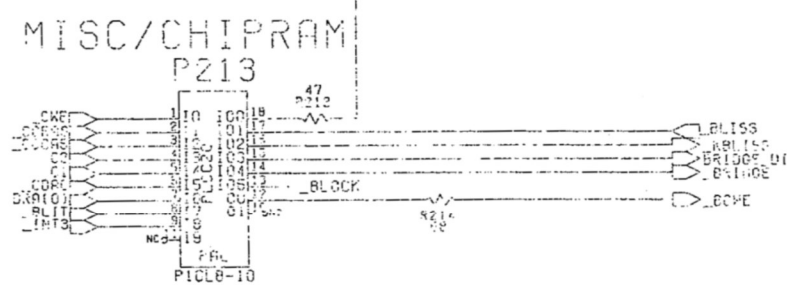
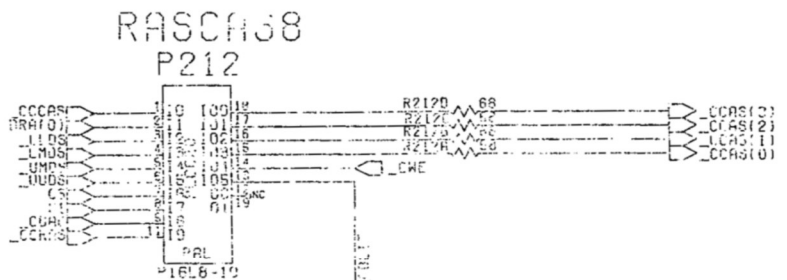
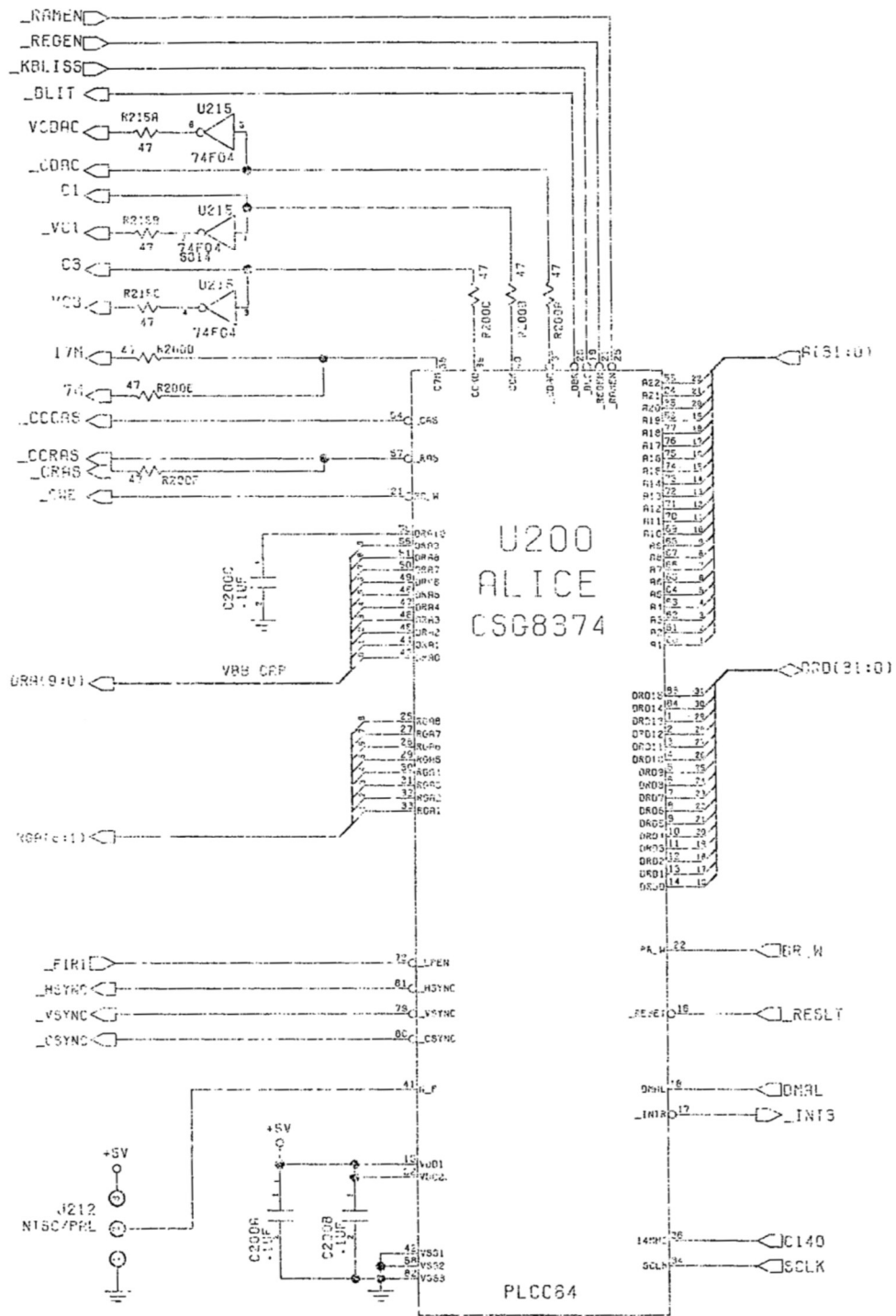


160-199 ROMS, RTC, POWER-IN

<p>© 1990 COMMODORE BUSINESS MACHINES INFORMATION CONTAINED HEREIN IS THE UNPUBLISHED CONFIDENTIAL AND TRADE SECRET PROPERTY OF COMMODORE BUSINESS MACHINES, INC. ANY USE REPRODUCTION OR CIRCULATION OF THIS INFORMATION WITHOUT THE PRIOR WRITTEN PERMISSION OF COMMODORE IS STRICTLY PROHIBITED.</p>		<p>DATE: 1990</p> <p>SCALE: NONE</p>
		<p>COMMODORE</p> <p>SCH. PART:</p> <p>A400T</p>
		<p>SIZE: 1365149</p> <p>NO. OF SHEETS: 4 OF 15</p>

C.A.D. GENERATED

NO MANUAL CHANGES MAY BE MADE TO THIS DOCUMENT



LEND U215-SUB TO GARY
LEND U215-SUB TO PAULA
LEND U215-SUB TO BUSTER

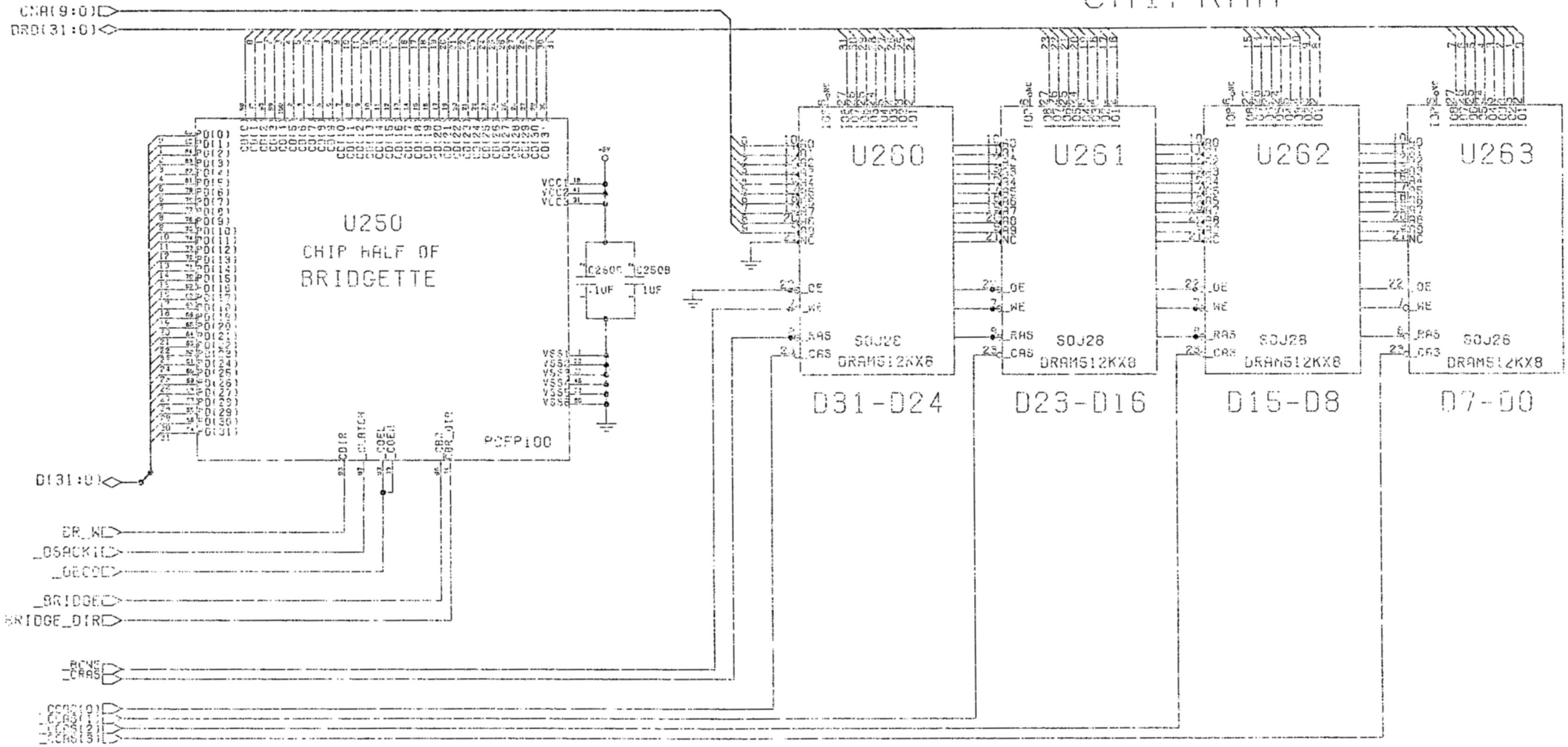
200-249

ALICE

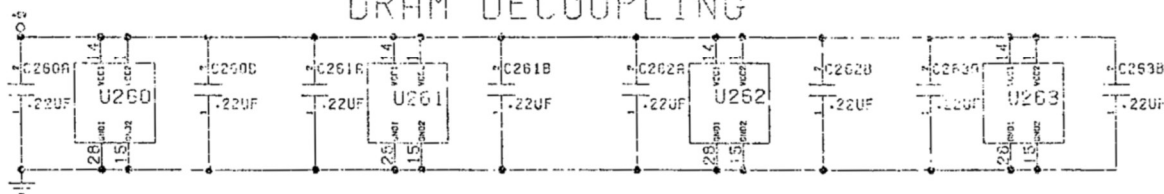
© 1982 COMMODORE-INTERNATIONAL, INC.
ALL INFORMATION CONTAINED HEREIN IS THE UNCLASSIFIED
PROPERTY OF COMMODORE-INTERNATIONAL, INC. AND IS TO BE
REPRODUCED OR TRANSMITTED IN ANY FORM OR BY ANY MEANS
WITHOUT PERMISSION IN WRITING FROM COMMODORE-INTERNATIONAL, INC.
NO PART OF THIS DOCUMENT IS TO BE REPRODUCED OR TRANSMITTED IN ANY FORM OR BY ANY MEANS WITHOUT PERMISSION IN WRITING FROM COMMODORE-INTERNATIONAL, INC.

COMMODORE	
SCHEMATIC	
P4000T	
365149	

CHIP RAM



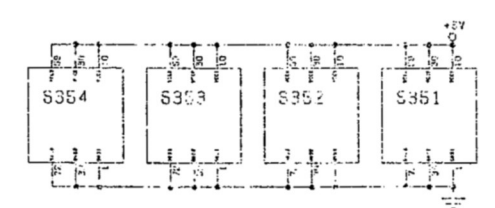
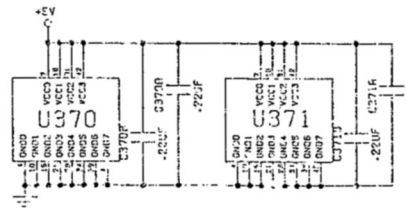
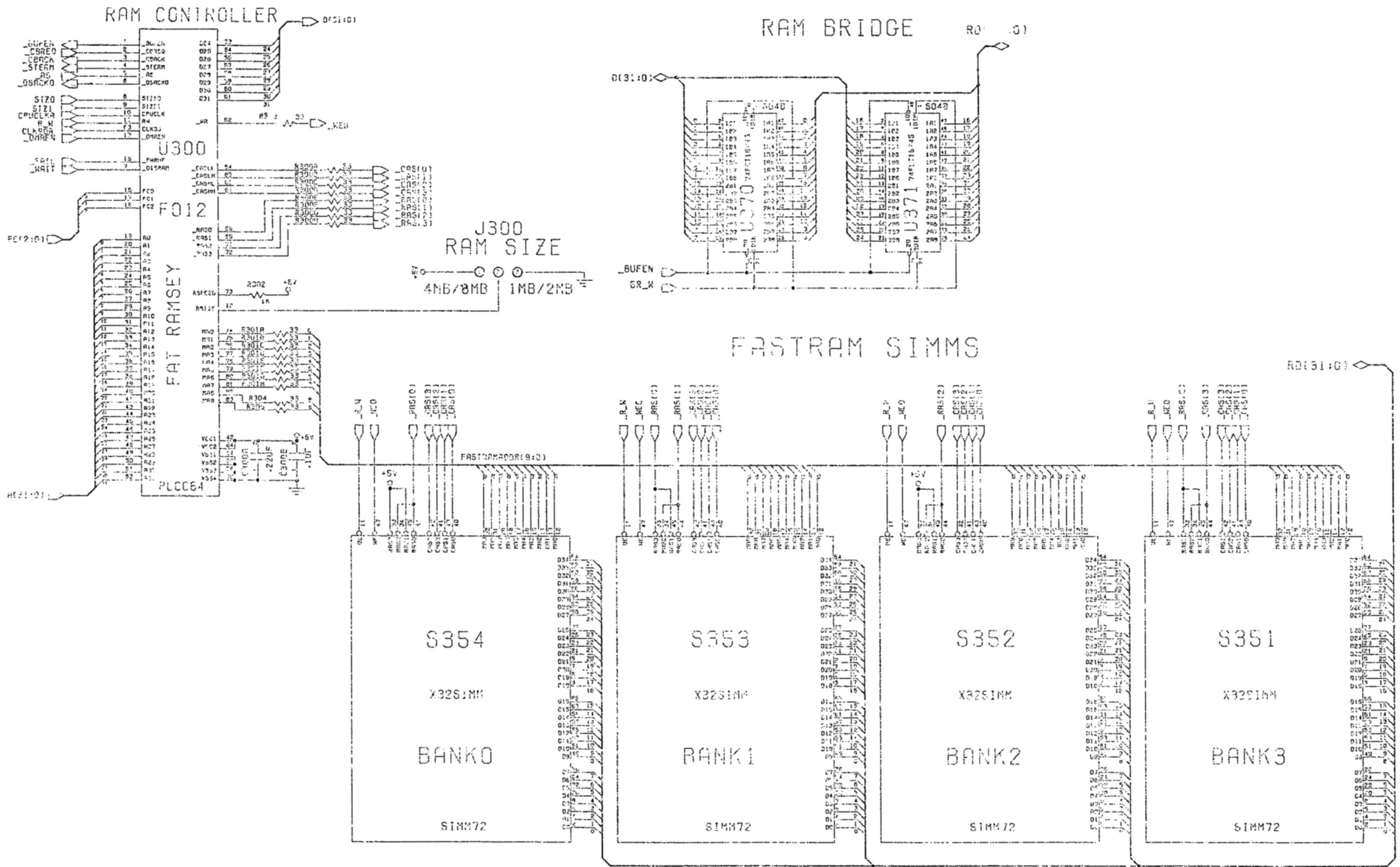
DRAM DECOUPLING



250-299

CHIP RAM

© 1990 COMMODORE BUSINESS MACHINES INFORMATION CONTAINED HEREIN IS THE UNPUBLISHED, CONFIDENTIAL AND TRADE SECRET PROPERTY OF COMMODORE BUSINESS MACHINES, INC. ANY USE, REPRODUCTION OR DISSEMINATION OF THIS INFORMATION WITHOUT THE WRITTEN PERMISSION OF COMMODORE IS STRICTLY PROHIBITED.	PART: 250-299 REV: 1 DATE: 11/85	COMMODORE SCHEMATIC A4000T	
	C.A.D. GENERATED NO MANUAL CHANGES MAY BE MADE TO THIS DOCUMENT	SHEET NO: 365150 PART: 365149	OF 16
	DATE: 11/85		



300-399 FAST RAM

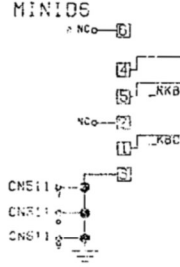
© 1985 COMMODORE BUSINESS SYSTEMS. INFORMATION CONTAINED HEREIN IS THE PROPERTY OF COMMODORE BUSINESS SYSTEMS, INC. AND IS UNLAWFUL TO REPRODUCE OR TRANSMIT IN ANY FORM OR BY ANY MEANS, ELECTRONIC OR MECHANICAL, INCLUDING PHOTOCOPYING, RECORDING, OR BY ANY INFORMATION STORAGE AND RETRIEVAL SYSTEM, WITHOUT THE EXPRESS WRITTEN PERMISSION OF COMMODORE IS STRICTLY FORBIDDEN.

C.P.D. GENERATED

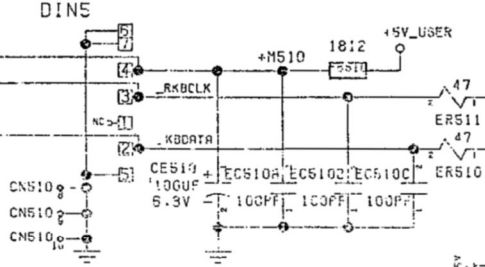
NO REMOTE PROMPTS NOT ALLOWED TO THIS DOCUMENT

COMMODORE SCHEMATIC A4000T 365149

KEYBOARD CN511

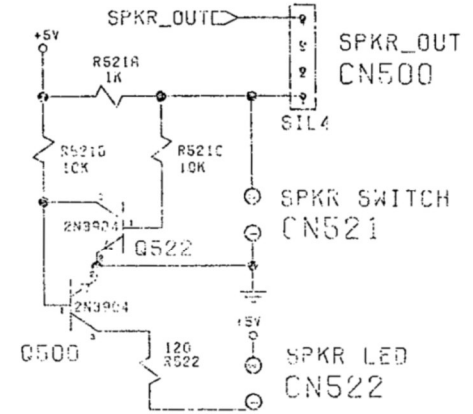
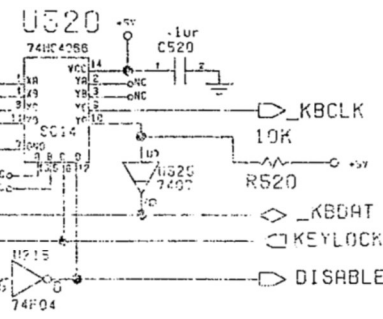


KEYBOARD CN510

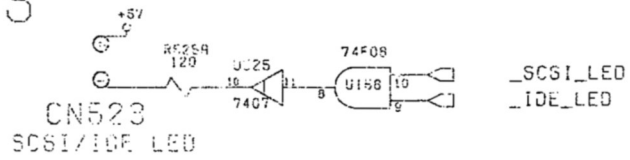
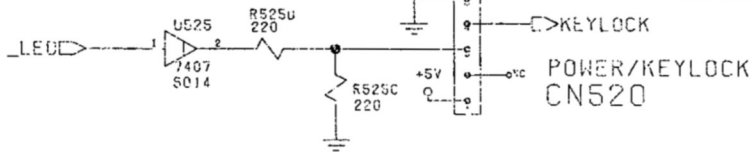


DIN-CONNECTOR

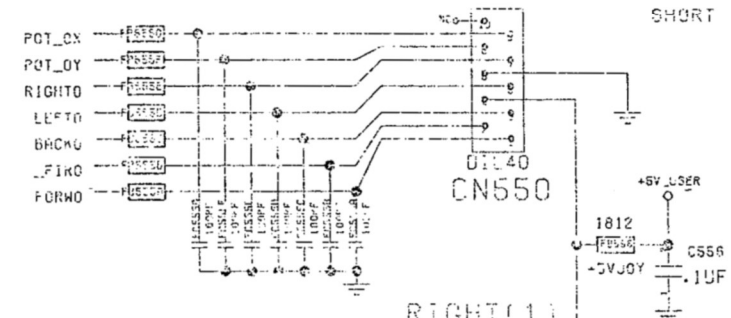
KEYLOCK



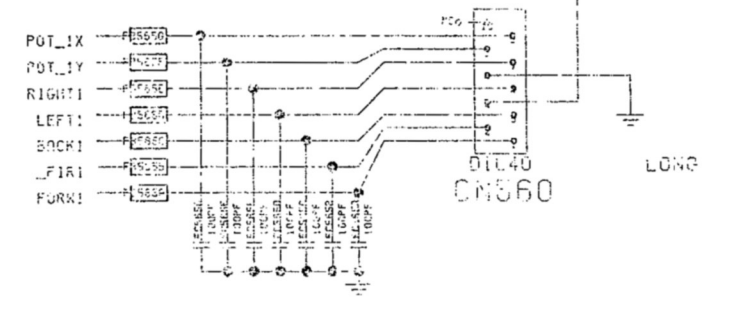
LEDS



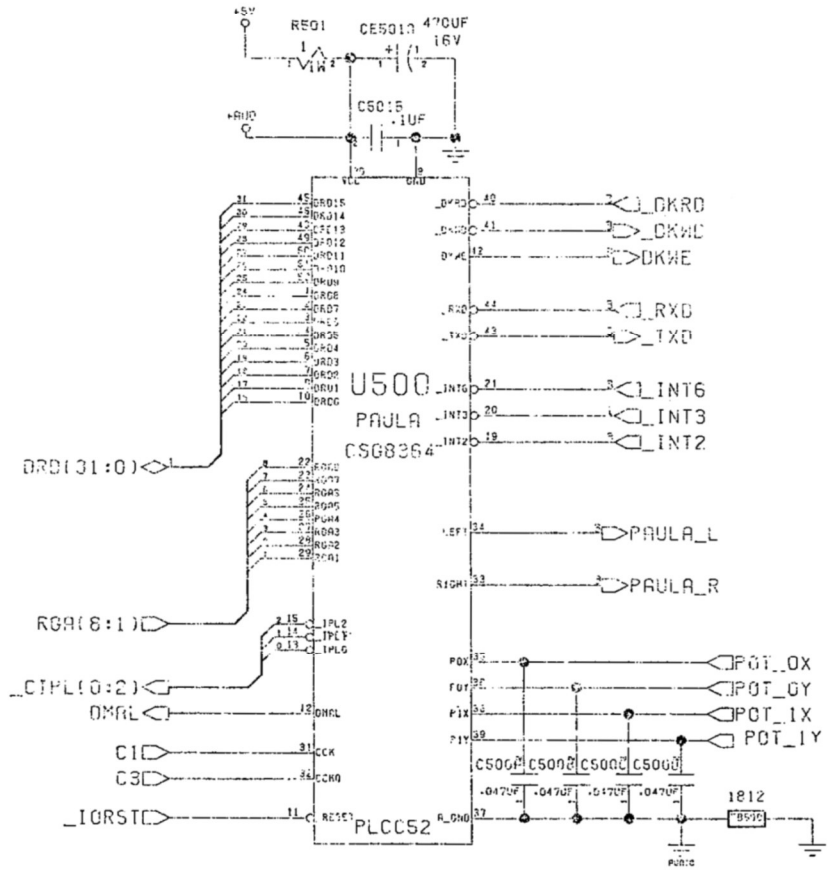
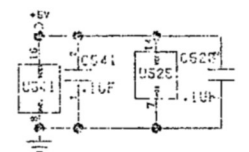
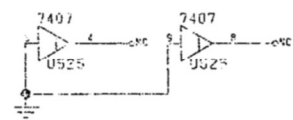
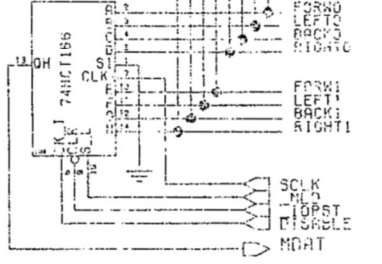
LEFT(0)



RIGHT(1)



U541

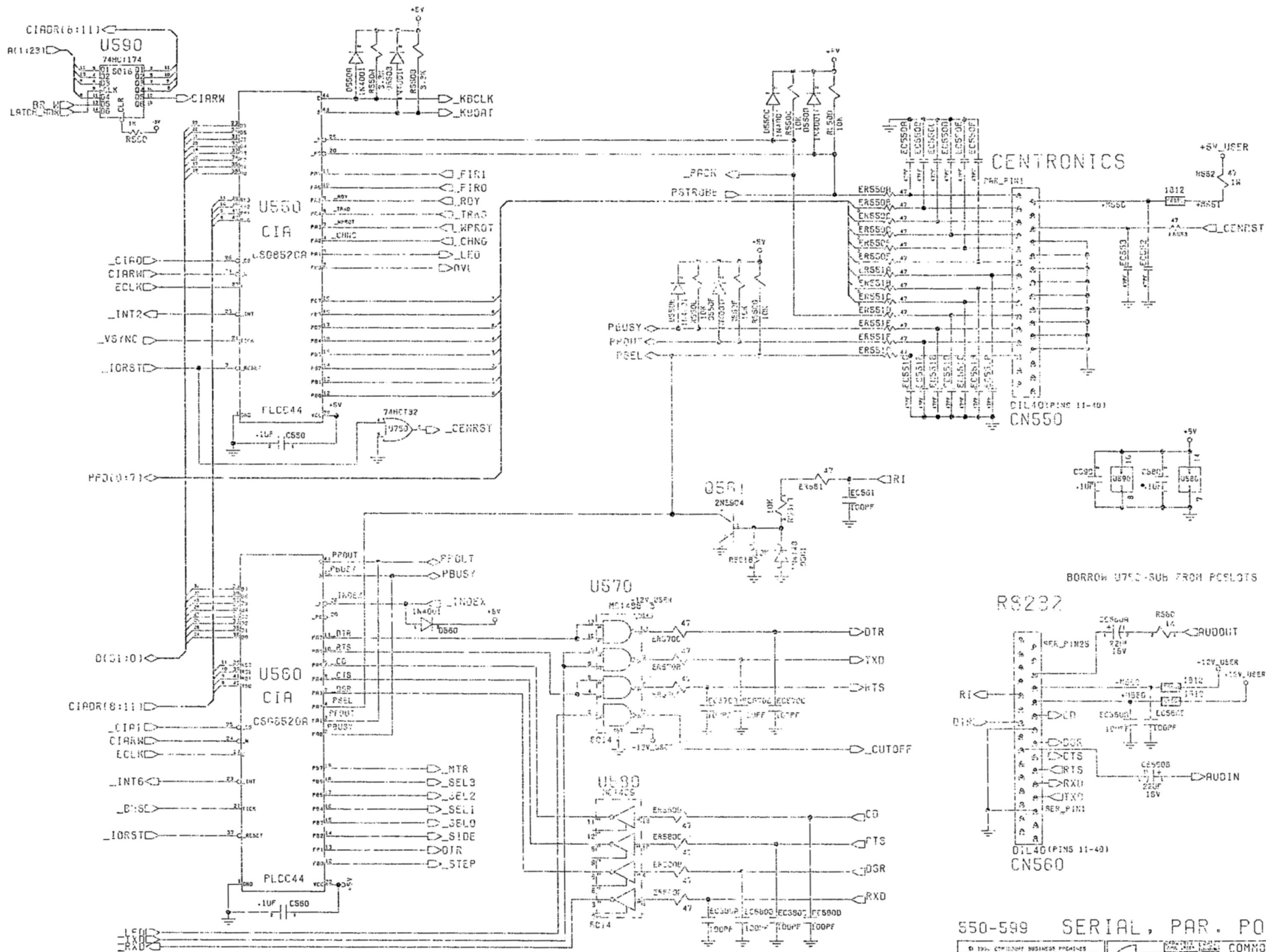


BORROW U158-SUB FROM GARY
BORROW U215-SUB FROM ALICE

500-549

PAULA

© 1989 COMMODORE BUSINESS MACHINES INFORMATION CONTAINED HEREIN IS UNCLASSIFIED, UNCONTROLLED AND TRADE SECRET PROPERTY OF COMMODORE BUSINESS MACHINES, INC. AND U.S. REPRODUCTION OR DISCLOSURE OF THIS INFORMATION WITHOUT THE PRIOR WRITTEN PERMISSION OF COMMODORE IS STRICTLY PROHIBITED.		COMMODORE SCHEMATIC A4000T
C.A.D. GENERATED NO MANUAL CHANGES ARE TO BE MADE TO THIS DOCUMENT		DATE: 04/19/89 BY: J.C. 365149 C SCALE: NONE/SHEET 9 OF 16



CENTRONICS

CN550

BORROW U790-SUB FROM PC510TS

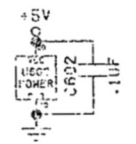
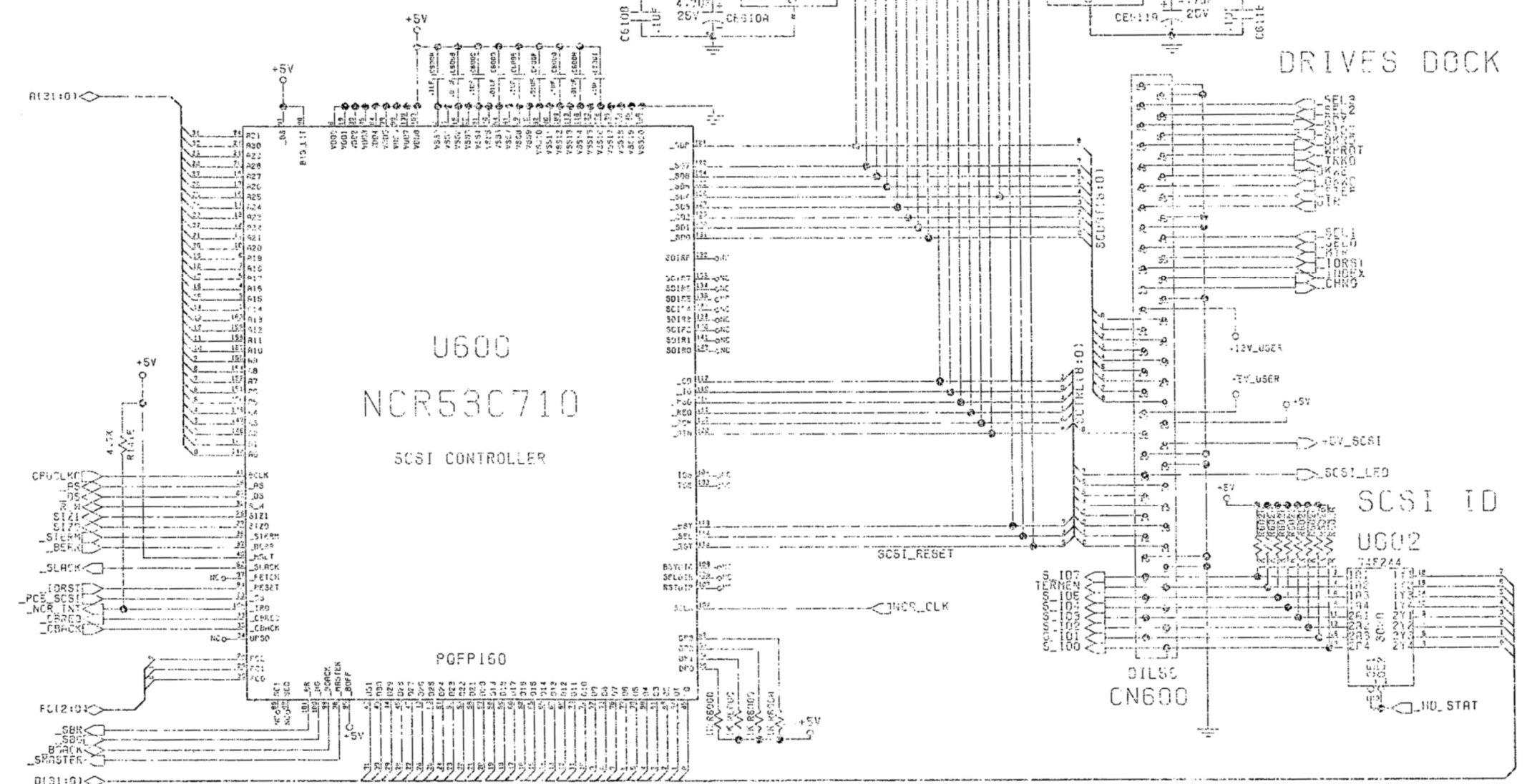
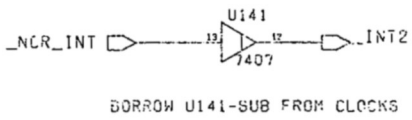
R9232

CN560

550-599 SERIAL, PAR. PORTS

<p>© 1990, Commodore Business Machines Corporation. All rights reserved. Commodore and the Commodore logo are registered trademarks of Commodore International, Inc. All other trademarks are the property of their respective owners. Commodore is a registered trademark of Commodore International, Inc.</p> <p>U.S. PATENTED</p>	<p>COMMODORE SERIAL/ PAR. A4000T PAGE 13661491C 35159</p>
--	---

ACTIVE TERMINATION



600-649

SCSI

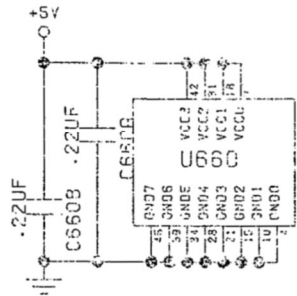
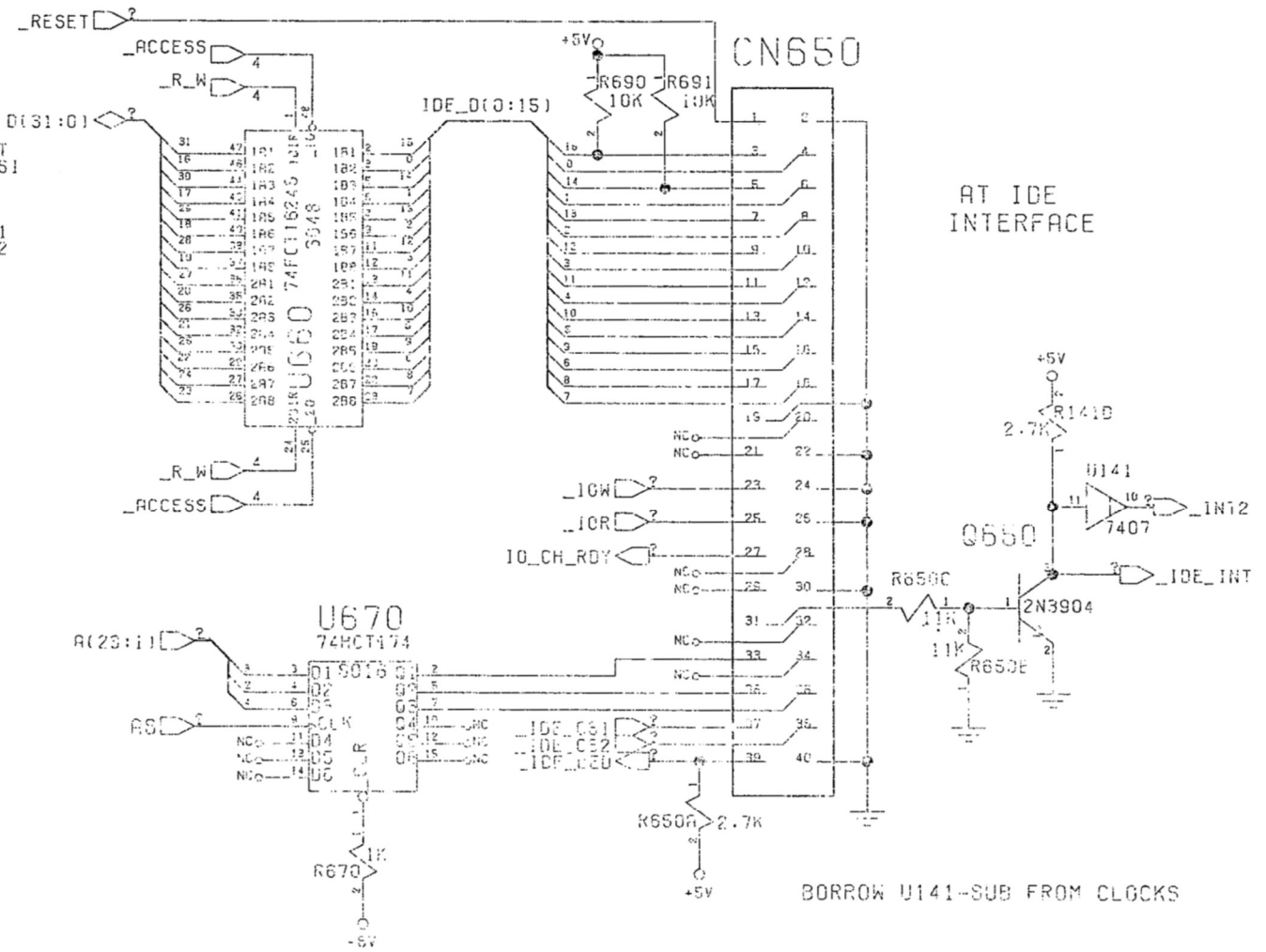
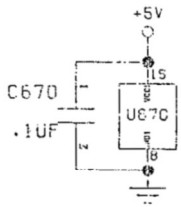
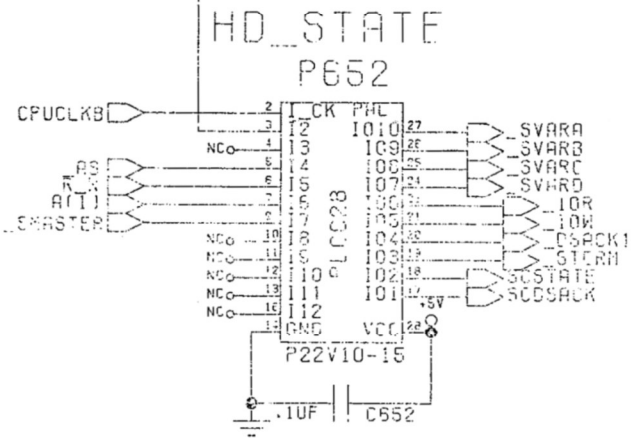
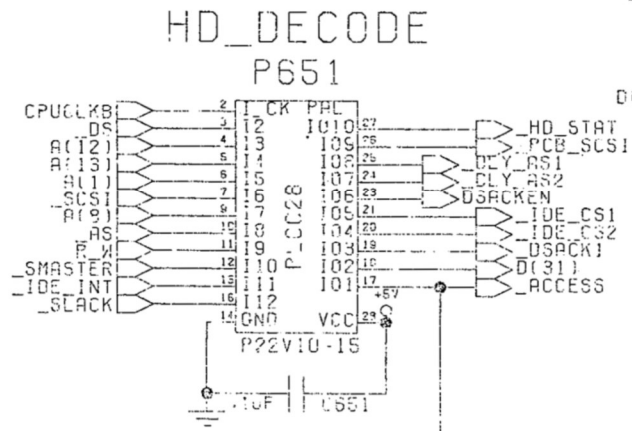
© 1982 COMODORE-BAYCOM, INC.
 INFORMATION CONTAINED HEREIN IS THE UNCLASSIFIED, CONFIDENTIAL AND TRADE SECRET PROPERTY OF COMODORE-BAYCOM, INC. ANY REPRODUCTION OR DISCLOSURE OF THIS INFORMATION WITHOUT THE PRIOR WRITTEN PERMISSION OF COMODORE IS STRICTLY PROHIBITED.

C.P.D. GENERATED

NO MANUAL CHANGES MAY BE MADE TO THIS DOCUMENT

	DATE	1/19/82	SCALE	NONE
	DESIGNER	LAKE	SHEET	11 OF 16
	REVISED BY		NO.	365149
	REVISED DATE		BY	SC5130
REFERENCE GROUP		USED IN	NEET PSL	
		PROJECT	SC5130	

COMODORE
SCHEMATIC
R400T



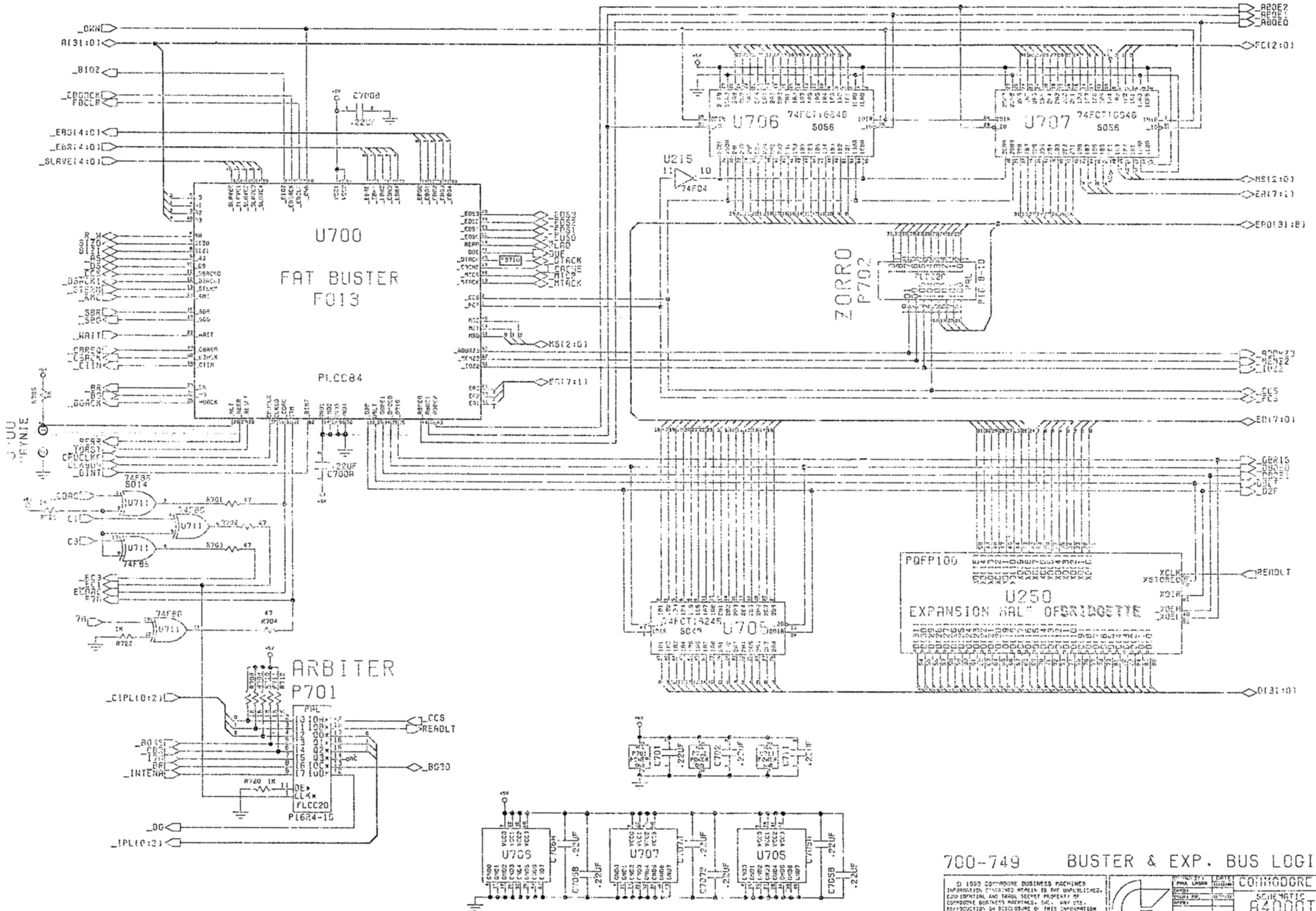
650-699

AT IDE HD INTERFACE

© 1990 COMMODORE BUSINESS MACHINES
 INFORMATION CONTAINED HEREIN IS THE UNPUBLISHED,
 CONFIDENTIAL AND TRADE SECRET PROPERTY OF
 COMMODORE BUSINESS MACHINES, INC. ANY USE,
 REPRODUCTION OR DISCLOSURE OF THIS INFORMATION
 WITHOUT THE PRIOR WRITTEN PERMISSION OF
 COMMODORE IS STRICTLY PROHIBITED.

C.A.D. GENERATED
 NO MANUAL CHANGES MAY BE MADE TO THIS DOCUMENT

	MINORITY: PAUL LASSA	DATE: 11/16/90	COMMODORE	
	CARD: CN291_PHL	DATE: 06/11/90	SCHEMATIC	
	APPR: REFERENCE GROUP:	PART: C 365149	REV: C	SCALE: NONE
USED ON: A4000T	NEXT ASSY: 565150	SHEET: 12 OF 13		



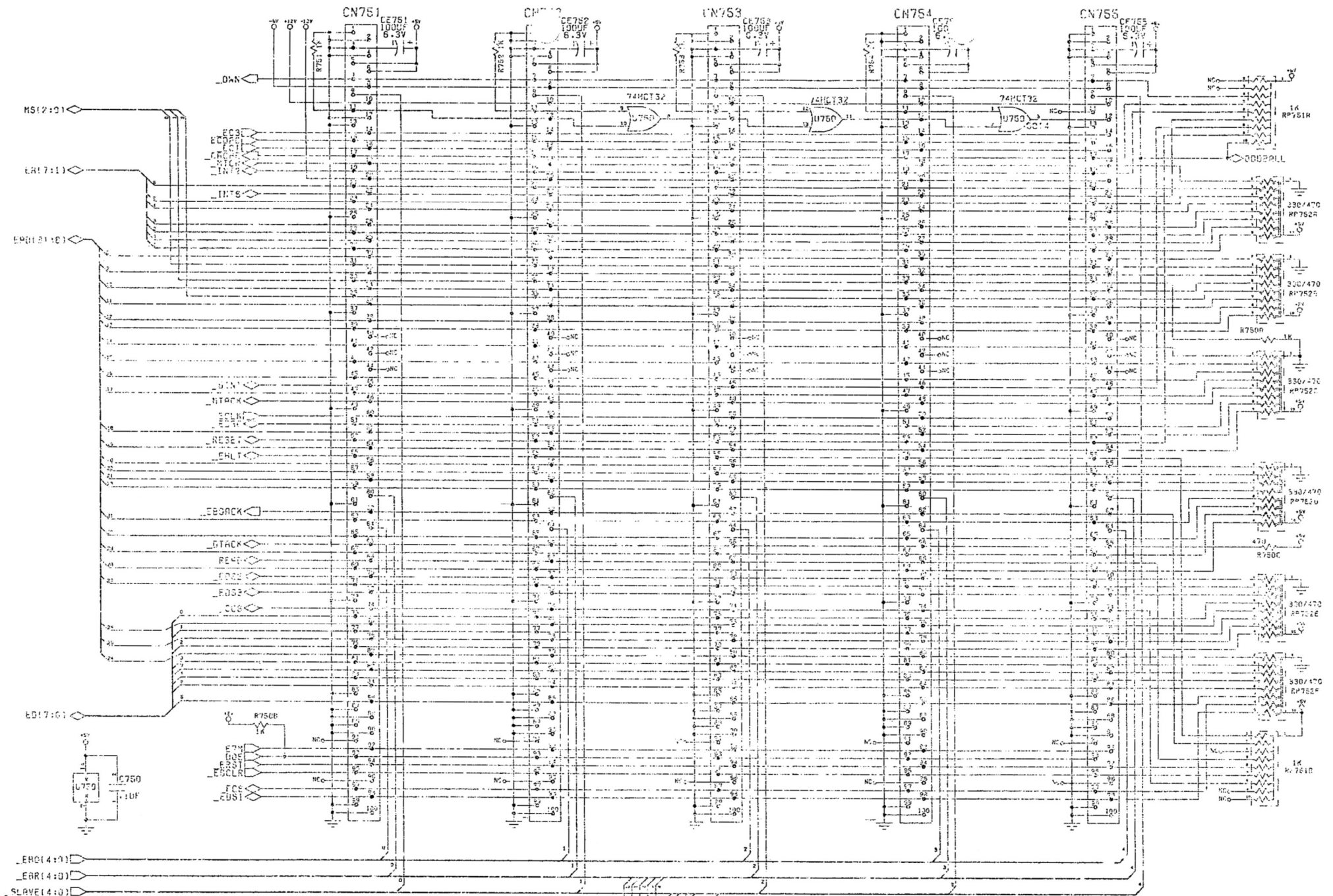
700-749 BUSTER & EXP. BUS LOGIC

© 1990 COMPTON BUSINESS MACHINES
 INFORMATION CONTAINED HEREIN IS THE UNCLASSIFIED,
 CONFIDENTIAL AND TRADE SECRET PROPERTY OF
 COMPTON BUSINESS MACHINES, INC. ANY USE,
 REPRODUCTION OR DISSEMINATION OF THIS INFORMATION
 WITHOUT THE PRIOR WRITTEN PERMISSION OF
 COMPTON IS STRICTLY PROHIBITED.

DATE: 04/22/90
 DRAWN: [Signature]
 CHECKED: [Signature]
 APPR: [Signature]
 USER: [Signature]
 NUMBER: 365150

COMPTON
 SCALE: METRIC
 A4000T
 365149
 SCALE NAME: SHEET 2 OF 2

DATE GENERATED: [Date]
 NO. 365150-2



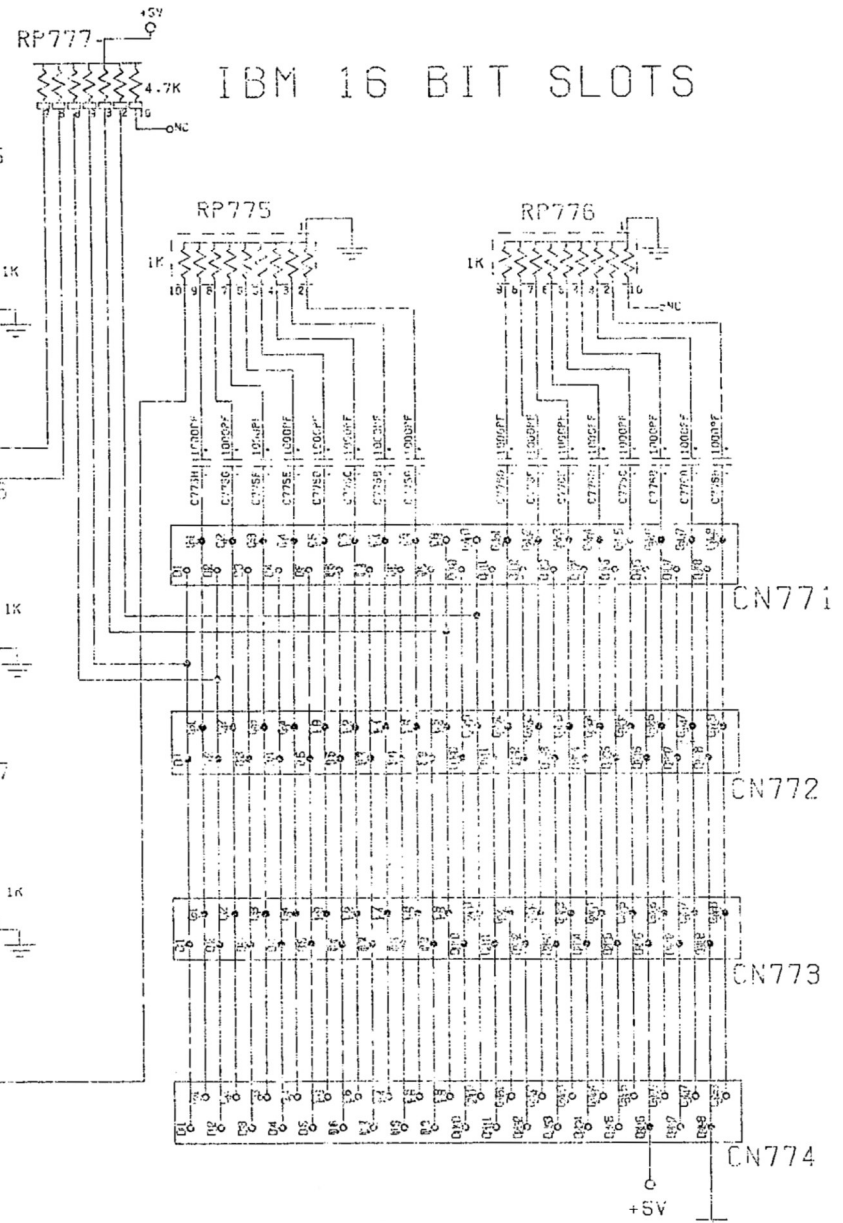
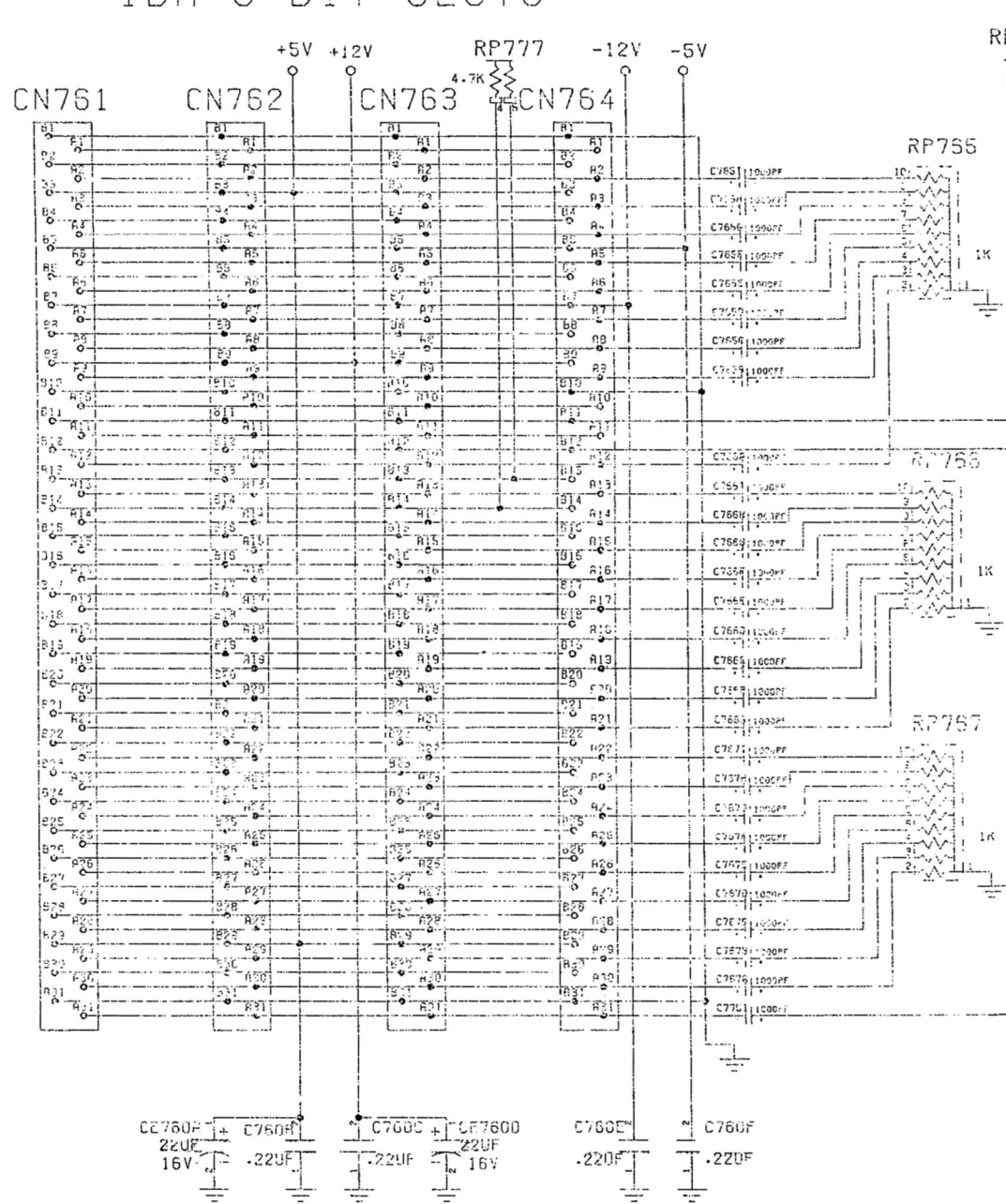
LEND U750-SUB TO SERPAR

750-759

ZORRO

©1981 COMMODORE-AMIGA, INC. INFORMATION CONTAINED HEREIN IS THE UNPUBLISHED, CONFIDENTIAL AND TRADE SECRET PROPERTY OF COMMODORE-AMIGA, INC. ANY USE, REPRODUCTION, OR DISCLOSURE OF THIS INFORMATION WITHOUT THE PRIOR WRITTEN PERMISSION OF COMMODORE IS STRICTLY PROHIBITED.			MODEL NO. PART NO. REV. NO. REV. DATE	DATE TIME BY CHECKED BY	COMMODORE SCHEMATIC A4000T
U.S. PATENTED IN WHICH U.S. PAT. MAY BE MADE TO FURTHER PROTECT			DRAWING NO. 750-150	DATE 75-150	SHEET NO. 149 OF 150

IBM 8 BIT SLOTS



760-799

PC SLOTS

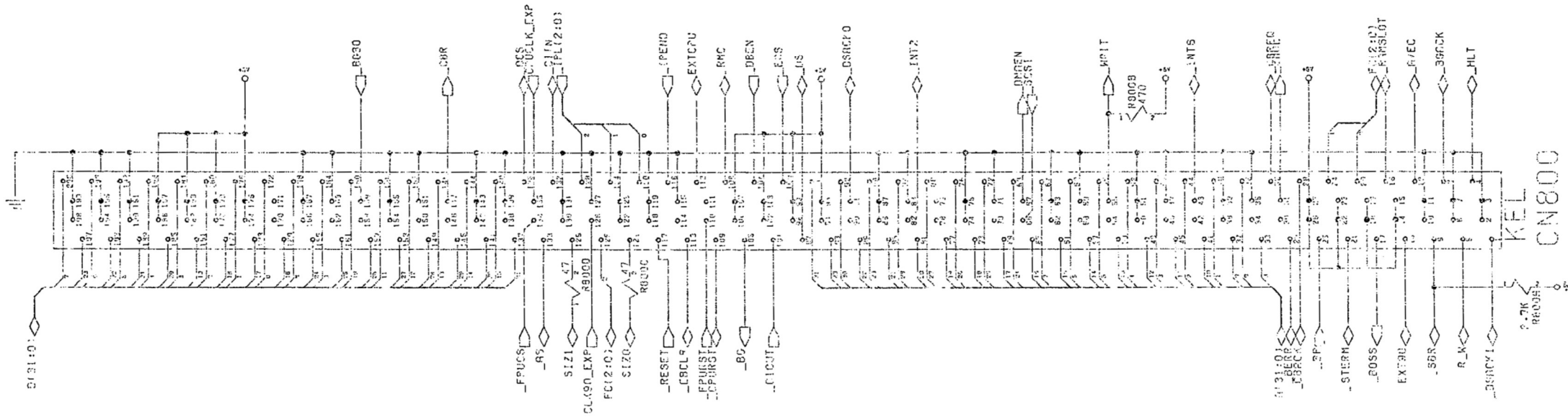
©1991 COMMODORE-AMIGA, INC.
 INFORMATION CONTAINED HEREIN IS THE UNPUBLISHED,
 CONFIDENTIAL AND TRADE SECRET PROPERTY OF
 COMMODORE-AMIGA, INC. ANY USE, REPRODUCTION,
 OR DISCLOSURE OF THIS INFORMATION WITHOUT THE
 WRITTEN PERMISSION OF COMMODORE IS
 STRICTLY PROHIBITED.

C.A.D. GENERATED

NO MANUAL CHANGES MAY BE MADE TO THIS DOCUMENT

	DATE: 11/12/92 DRAWN BY: [blank] CHECKED BY: [blank] APPROVED BY: [blank]	COMMODORE SCHEMATIC A4000T
	REFERENCE GROUP: [blank]	SIZE: C SCALE: NONE
	USED ON: A4000T	REV: 0351 355100
	C.A.D. GENERATED	SHEET 15 OF 15

AMIGA 32 BIT LOCAL SLOT



PROCESSOR CARD DOCK

800-899

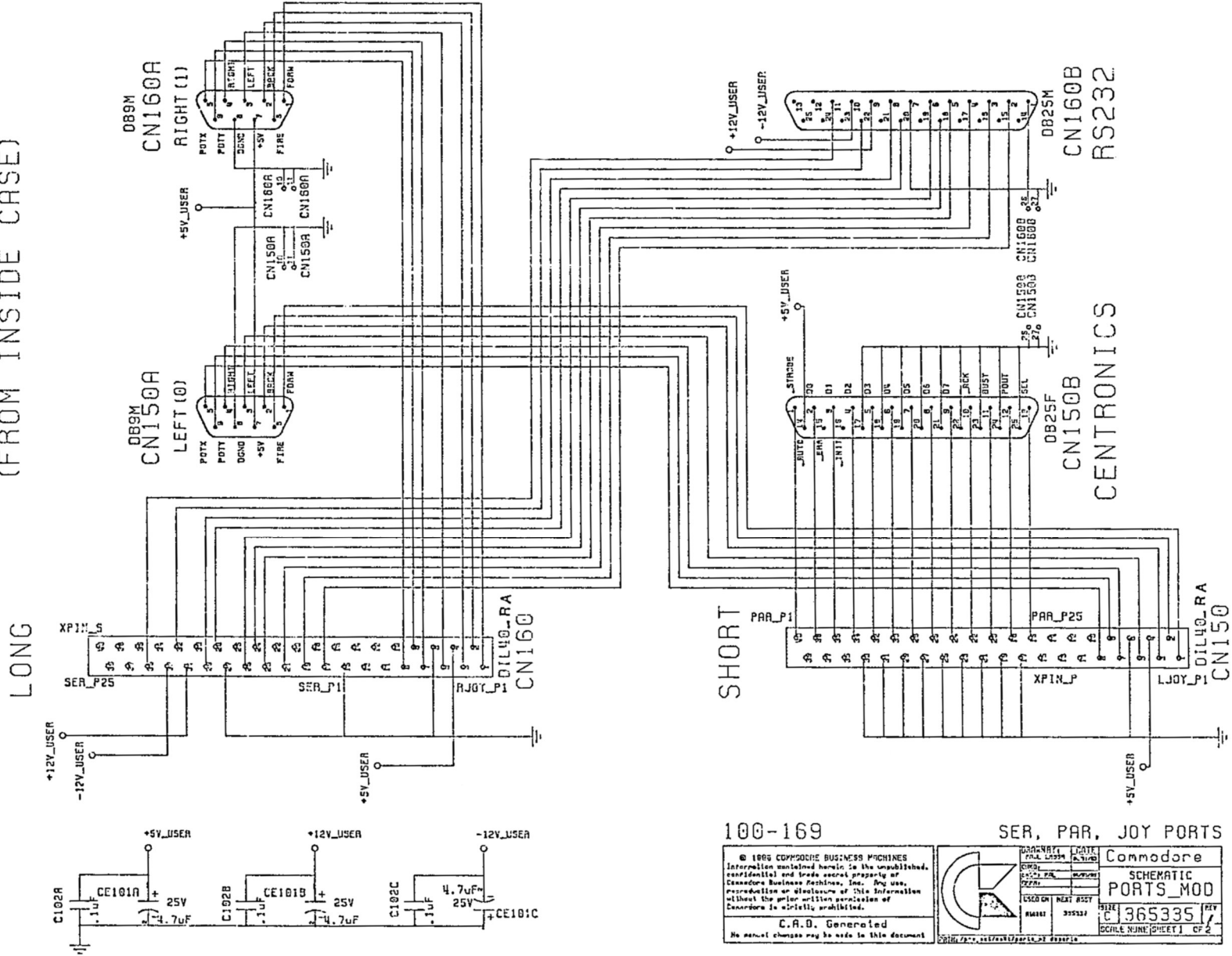
PROCESSOR

NO INTEL COMMODORE BUSINESS MACHINES INFORMATION CONTAINED HEREIN IS THE UNPUBLISHED, CONFIDENTIAL AND TRADE SECRET PROPERTY OF COMMODORE ELECTRONIC CORP. ANY USE, REPRODUCTION OR DISCLOSURE OF THIS INFORMATION WITHOUT THE PRIOR WRITTEN PERMISSION OF COMMODORE IS STRICTLY PROHIBITED.		PART NUMBER P4001	PART NUMBER 1000000	COMMODORE SCHEMATIC A40001
		REFERENCE GROUP P4001	SHEET NUMBER 16 OF 16	SCALE 1:1
C.A.D. GENERATED NO INTEL CHANGES MAY BE MADE TO THIS DOCUMENT		DATE: 1985-01-10		

PORTS MODULE

REVISIONS				
ZONE	LTR	DESCRIPTION	DATE	APPROVED
	1	ADVANCE ENGINEERING RELEASE	4/27/83	JCB

SOLDER (BACK OF BOARD) VIEW
(FROM INSIDE CASE)



100-169

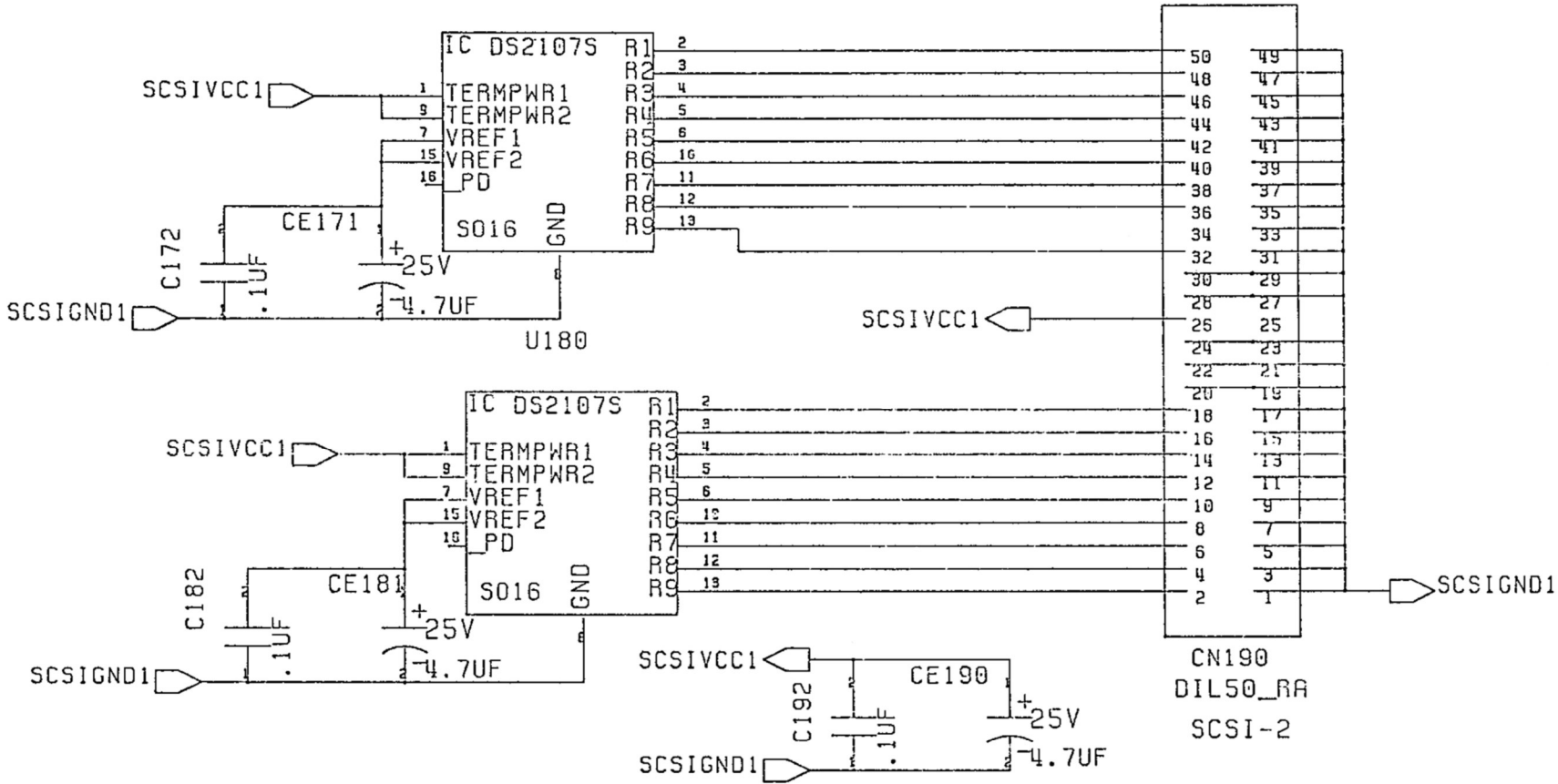
SER, PAR, JOY PORTS

© 1985 COMMODORE BUSINESS MACHINES
Information contained herein is the unpublished, confidential and trade secret property of Commodore Business Machines, Inc. Any use, reproduction or disclosure of this information without the prior written permission of Commodore is strictly prohibited.

C.A.D. Generated
No manual changes may be made to this document

	DRAWN BY	DATE	Commodore SCHEMATIC PORTS_MOD
	CHKD BY	REVISED	
	DESIGN	DATE	
	TESTED	DATE	
FILE NO: 365335 SCALE: NONE SHEET 1 OF 2	REV: 1 DATE: 3/25/83	REV: 1 DATE: 3/25/83	REV: 1 DATE: 3/25/83

U170

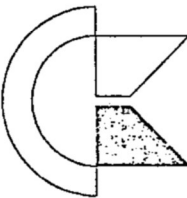


170-199

SCSI TERMINATION

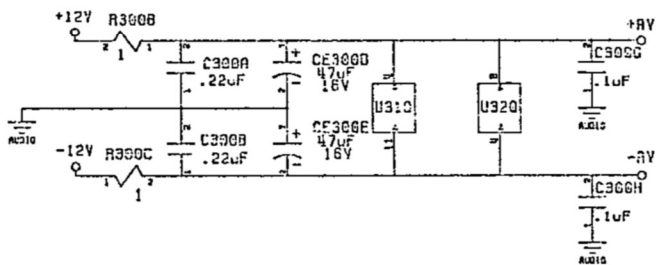
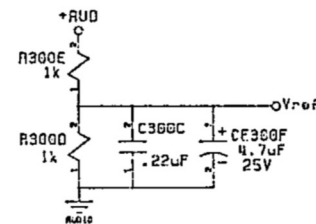
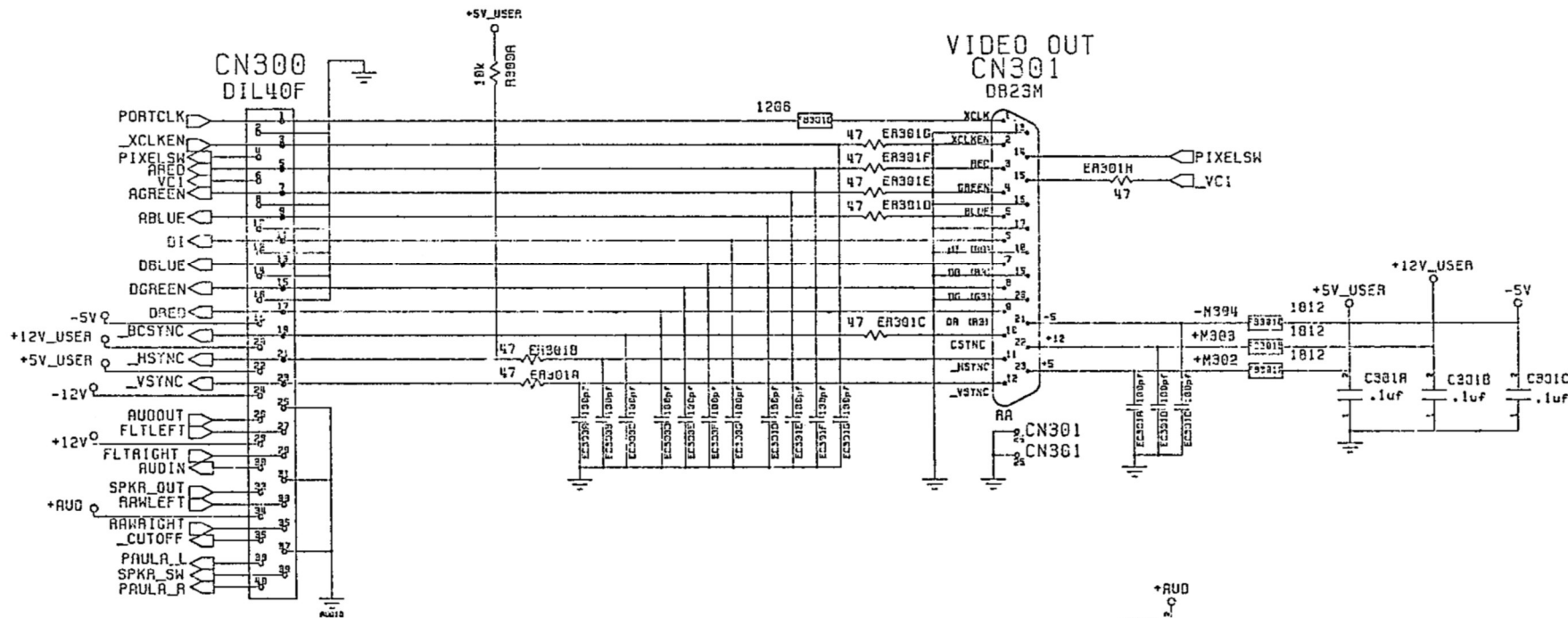
© 1990 COMMODORE BUSINESS MACHINES
 Information contained herein is the unpublished, confidential and trade secret property of Commodore Business Machines, Inc. Any use, reproduction or disclosure of this information without the prior written permission of Commodore is strictly prohibited.

C.A.D. Generated
 No manual changes may be made to this document

	DRAWN BY: DAVE HAYNIE	DATE: 5/25/92	Commodore	
	CHKD:		SCHEMATIC	
	ENGR: PAL	04/05/92	PORTS_MOD	
	APPR:			
REFERENCE GROUP			SIZE: C	REV: /
USED ON: 4400BT	NEXT ASSY: 365337	SCALE NONE SHEET 2 OF 2		
PATH: /project/ee41/ports_m? scaltern				

AUD_VID MODULE

ZONE		LYR	DESCRIPTION	DATE	APPROVED
		/	ADVANCE ENGINEERING RELEASE	4/23/93	LICB



300-301

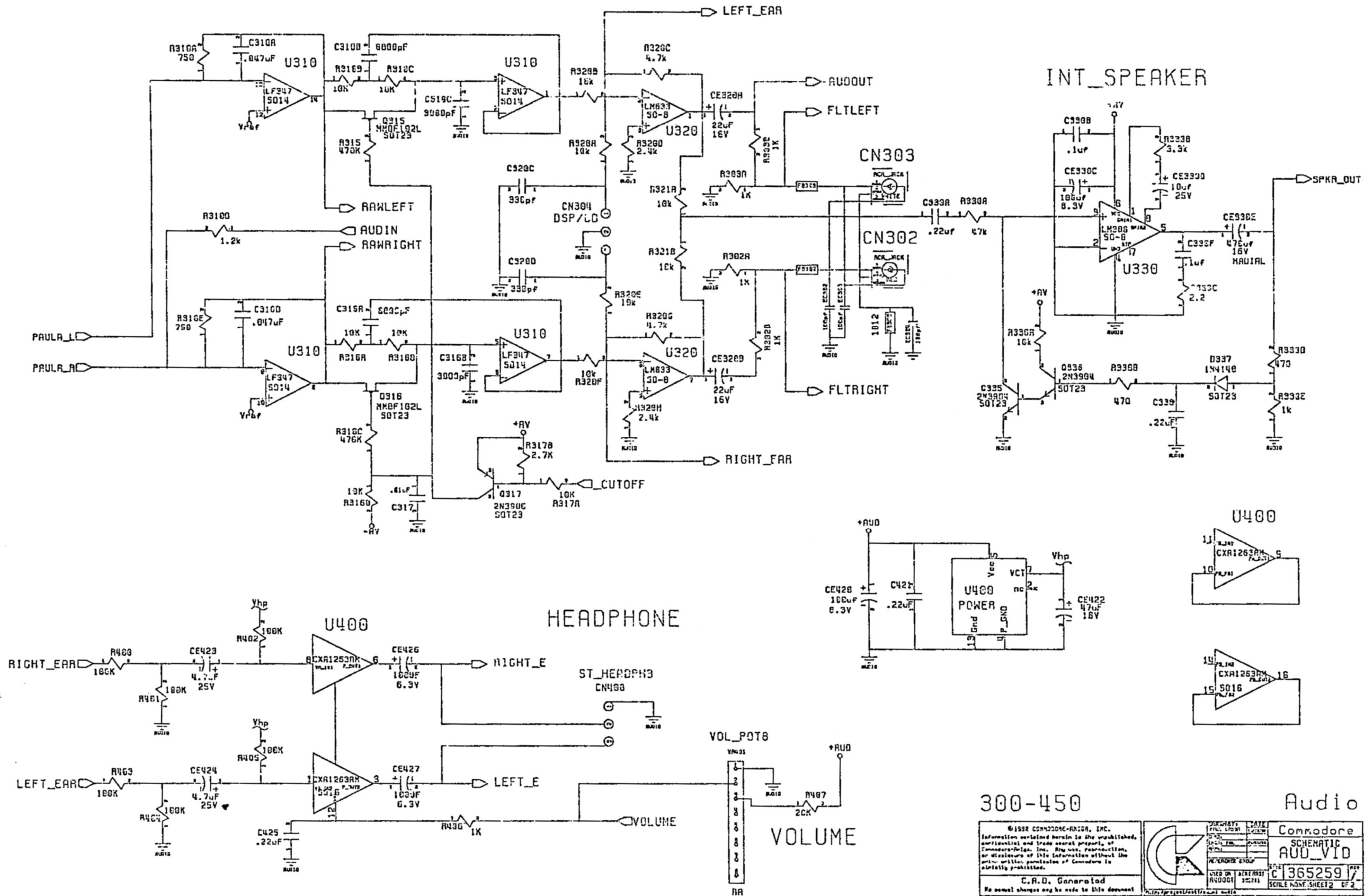
RGB Video

©1987 COMMODORE-PALM, INC.
 Information contained herein is the unpublished
 proprietary and trade secret property of
 Commodore-Palms, Inc. Any use, reproduction,
 or disclosure of this information without the
 prior written permission of Commodore is
 strictly prohibited.

C.A.D. Generated
 No manual changes may be made to this document

	DATE: 11/12/87	DATE: 11/12/87	Commodore
	SCALE: 1/8"=1"	SCALE: 1/8"=1"	SCHEMATIC
REFERENCE: 6100P	SIZE: C 365259	REV: 17	AUD_VID
CAD: 04	SCALE: 1/8"=1"	SHEET: 1	OF 2

AUD_VID MODULE



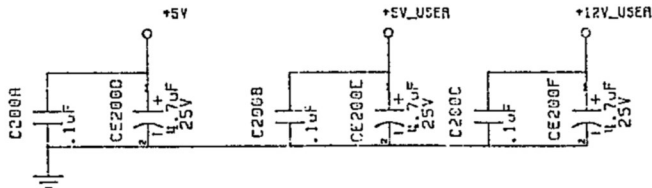
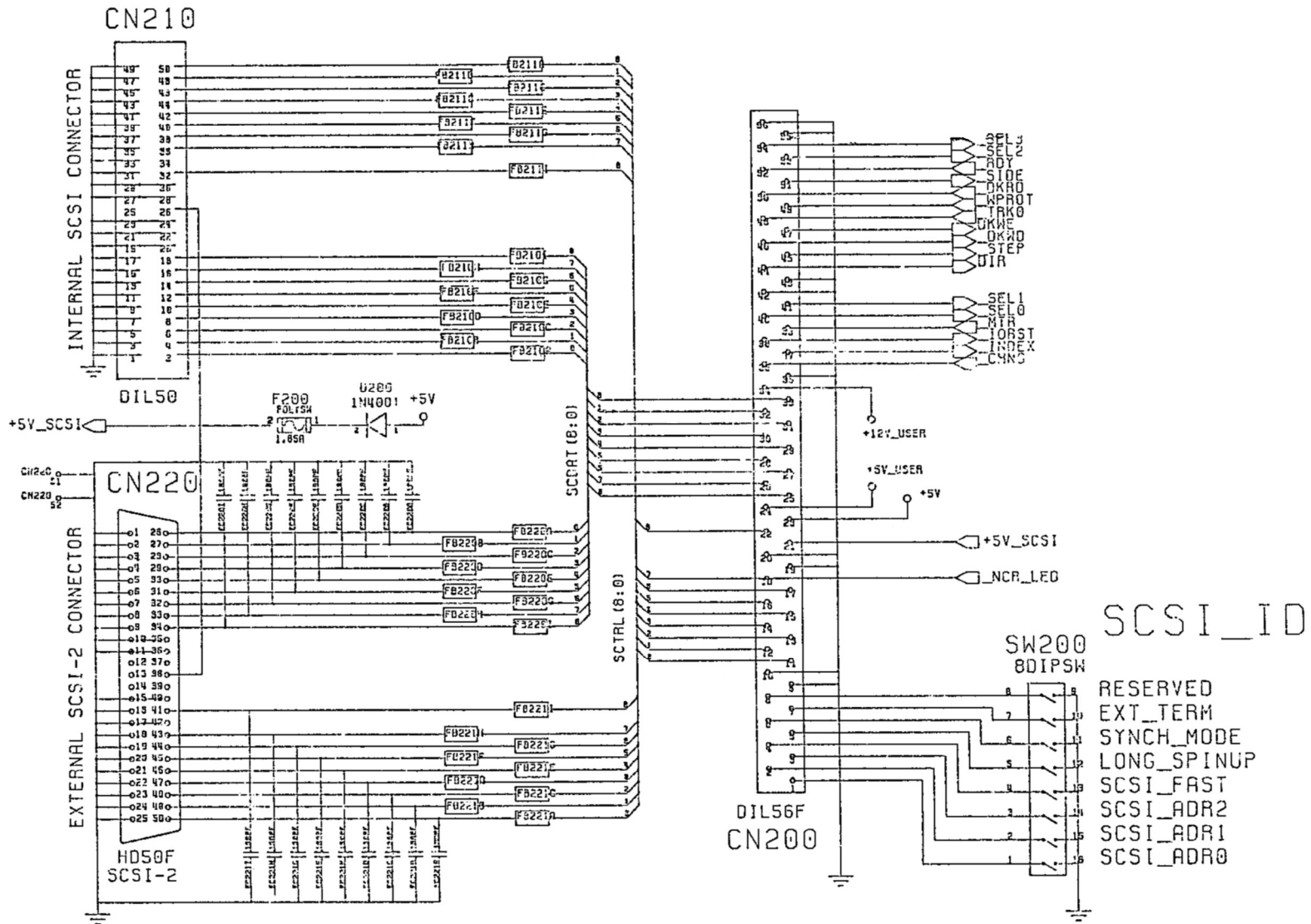
300-450

Audio

<p>©1988 Commodore-Amiga, Inc. Information contained herein is the unpublished, confidential and trade secret property of Commodore-Amiga, Inc. Any use, reproduction, or disclosure of this information without the prior written permission of Commodore is strictly prohibited.</p>			<p>DATE: 1/23/88 DRAWN BY: J. J. J. CHECKED BY: J. J. J. APPROVED BY: J. J. J.</p>
<p>C.R.D. Generated No manual changes may be made to this document</p>			<p>Comodore SCHEMATIC AUD_VID 365259 SCALE: NAME SHEET 2 OF 2</p>

DISK MODULE

REVISIONS			
ZONE	LTR	DESCRIPTION	DATE APPROVED
	1	ADVANCE ENGINEERING RELEASE	7/23/85 A. Fisher




200-249

SCSIports

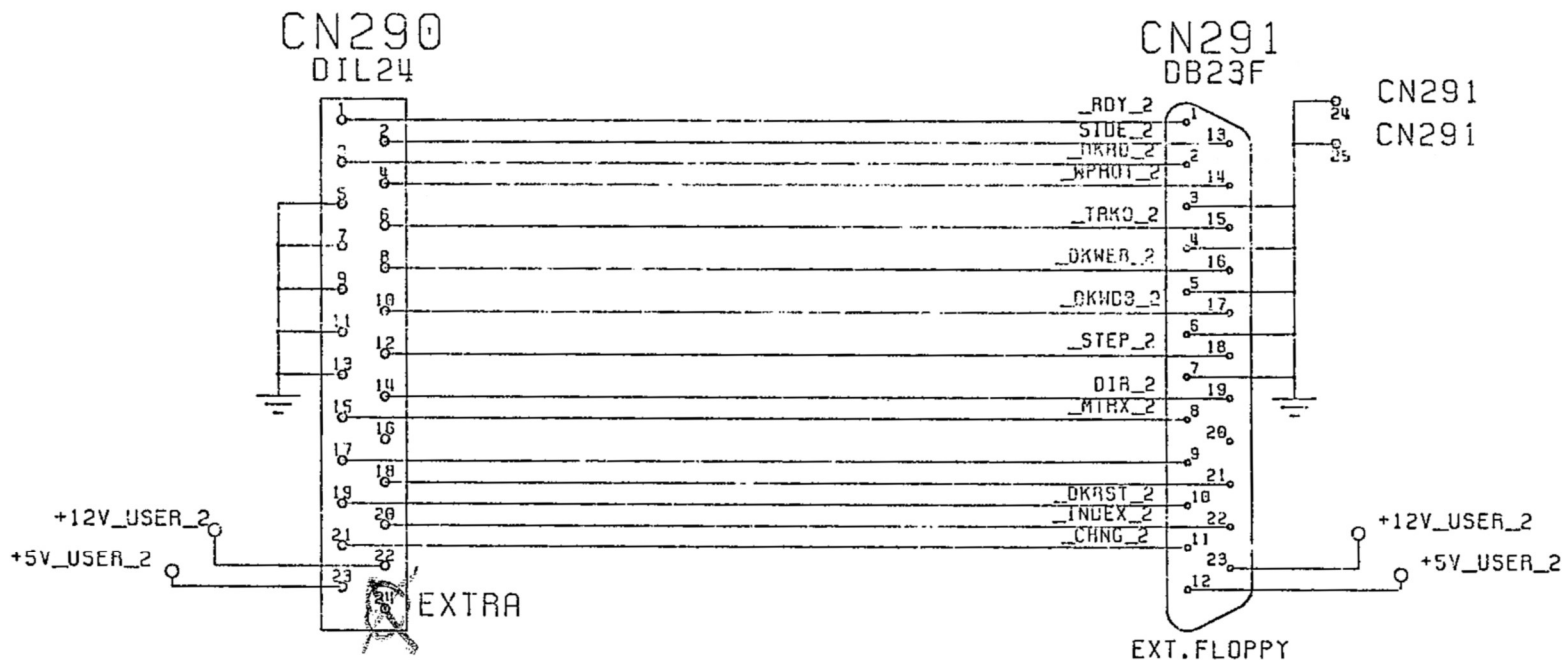
© 1980 COMMODORE BUSINESS MACHINES
 Information contained herein is the unpublished,
 confidential and trade secret property of
 Commodore Business Machines, Inc. Any use,
 reproduction or disclosure of this information
 without the prior written permission of
 Commodore is strictly prohibited.

C.A.D. Generated
 No manual changes may be made to this document

	DRAWN BY: L. J. ... PROJ. L4001 CHECKED BY: ... DATE: ... REFERENCE GROUP: ... USED BY: ... NEXT TEST: ... R400061 090559	SCALE: NONE SHEET: 1 OF 3
Commodore SCHEMATIC DISK MOD		SIZE: C 365255 REV: /


DISK MODULE

' Flidget '



290-299

EXTfloppy widget

© 1990 COMMODORE BUSINESS MACHINES Information contained herein is the unpublished, confidential and trade secret property of Commodore Business Machines, Inc. Any use, reproduction or disclosure of this information without the prior written permission of Commodore is strictly prohibited.		GRABBY: PAUL LASSA DATE: 07/25/92	Commodore
		CHKD: ENGR: PHL APPR:	CU/20/93 SCHEMATIC DISK MOD
		REFERENCE GROUP	SIZE: C 365255 REV: 1
		USED ON: A40001 NEXT ASSY: 365257	SCALE NONE SHEET 3 OF 3
C.A.D. Generated No manual changes may be made to this document!		P:\R11\project\ee4\disk_n2 Flidget	