

COMPONENT PARTS LIST

PCB ASSEMBLY #312510, AMIGA A500, REV6A/7

312510-07 PCB ASSEMBLY, A500 NTSC

312510-08 PCB ASSEMBLY, A500 PAL

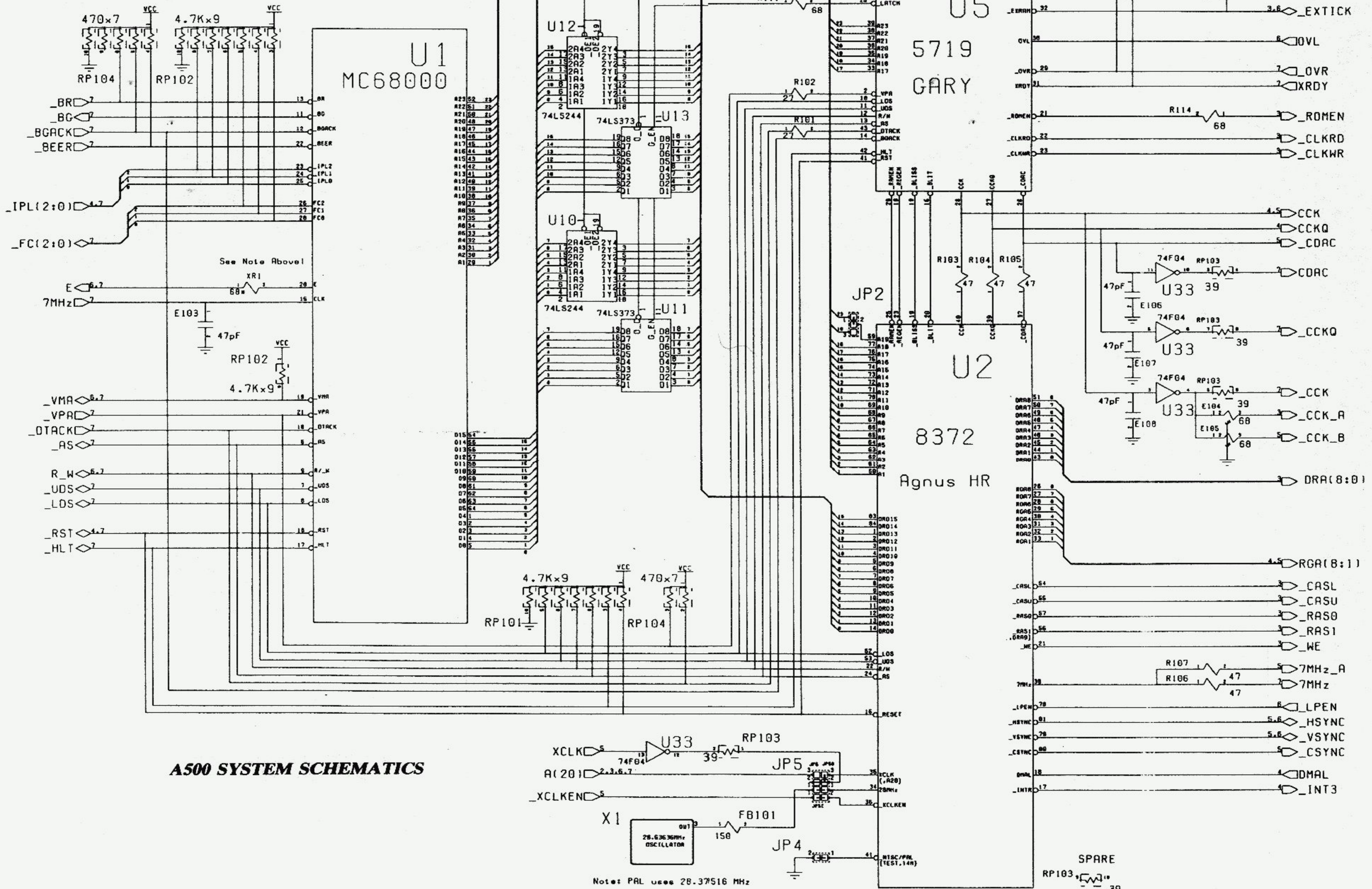
Commodore part numbers are provided for reference only and do not indicate the availability of parts from Commodore. Industry standard parts (Resistors, Capacitors, Connectors) should be secured locally. Approved cross-references for TTL chips, Transistors, etc. are available in manual form through the Service Department, order #314000-01.

IC COMPONENTS			DIODES		
901882-01	INTERFACE MC1488	U38	900850-01	1N4148	D501
901883-03	INTERFACE MC1489	U39	390017-01	1N914	D501
390086-01	LINEAR LF347/TL084	U14	FILTERS		
901523-01	LINEAR NE555	U42	251842-02	EMI FILTER, 100pF	E511-E519, E421-E524, E611-E626
390084-03	MC68000 0MHz	U1	390275-02	EMI FILTER, 150pF	E402, E434, E532, E534
318072-01	MOS 5719 R2 GARY	U5	390297-01	EMI FILTER, 270pF	E305, E306
252126-02	MOS 8362 R8 DENISE	U4	390297-04	EMI FILTER, 470pF	E415-E417, E425-E427, E441-E444, E520, E531, E533, E535-E538
252127-02	MOS 8364 R7 PAULA	U3	390275-01	EMI FILTER, 6800pF	E302, E303, E411-E414, E421-E424
318069-02	MOS 8372 R3 AGNUS HR	U2	390297-05	EMI FILTER .01uF	E101, E401, E403-E408, E601, E602, E702-E704
318029-02	MOS 8520 R4 AMIGA CIA	L7, U8	252173-01	FERRITE BEAD RADIAL	E431-E433, R435
390110-01	TTL 74F04	U33	251878-02	LINE FILTER	LF1
318050-01	TTL 74F244	U34, U35	252133-01	LONG FERRITE BEAD	FB802
310003-01	TTL 74HC245	U40, U41	903025-01	FERRITE BEAD AXIAL	E431-E433, E435
901521-11	TTL 74LS157	U15	TRANSISTORS		
901521-13	TTL 74LS244	U10, U12	390254-01	JFET MPF102/PN4302	Q321, Q331
901521-31	TTL 74LS32	U37	902658-01	NPN 2N3904	Q501, Q711
901521-29	TTL 74LS373	U11, U13	902707-01	PNP 2N3906	Q301, Q502, Q503
901521-38	TTL 74LS38	U36	RESISTORS		
390229-01	VIDEO HYBRID	HY1	901600-36	1/2W CF, 1	R309
318070-01	MOS 8370 R3 FAT AGNUS (NTSC)	U2	901600-50	1/2W CF, 4.7	R401, R405, R406, R408
318071-01	MOS 8371 R1 FAT AGNUS (PAL)	U2	901600-15	1/2W CF, 47	E501-E503
390433-01	MOS 8373 R2 DENISE HR	U4	901550-64	1/4W CF, 10	R301, R302
381099-04	DRAM 256K X 4 120 nS	U16-U19	901550-90	1/4W CF, 27	R101, R102
381099-02	DRAM 256K X 4 100 nS	U16-U19	901550-56	1/4W CF, 47	R103-R107, R113
395093-02	ROM 256K X 16 KICKSTART 1.3	U20-U23	901550-94	1/4W CF, 68	E104, E105
	NOT LOADED	U6	901550-94	1/4W CF, 68	R111, R112, R114
CAPACITORS			901550-94	1/4W CF, 68	XR1
900462-29	MLC AXIAL NOP 47pF	C403	901550-49	1/4W CF, 100	R507
900462-29	MLC AXIAL NOP 47pF	E102, E103, E106-3109	901550-89	1/4W CF, 150	FB101
900462-29	MLC AXIAL NOP 47pF	XC1-XC3	901550-89	1/4W CF, 150	R409
900463-16	MLC AXIAL X7R 1000pF	C411-C413, C421-C423	901550-108	1/4W CF, 360	R321, R331
900463-23	MLC AXIAL X7R 3900pF	C323, C333	901550-57	1/4W CF, 390	R325, R335
900463-26	MLC AXIAL X7R 6800pF	C322, C332	901550-01	1/4W CF, 1K	R303-R305, R324, R334, R713
900463-36	MLC AXIAL X7R .047pF	C311-C314	901550-23	1/4W CF, 2.7K	R307, R502
900463-37	MLC AXIAL X7R .1uF	C321, C331	901550-19	1/4W CF, 4.7K	R201, R202, R402, R403, R503, R504
390082-01	MLC AXIAL Z5U .01uF	C308, C713, C800-C803	901550-20	1/4W CF, 10K	R306, R308, R322, R323, R332, R333, R339, R501, R505, R506
390082-02	MLC AXIAL Z5U .1uF	C711	901550-22	1/4W CF, 47K	R712
390082-04	MLC AXIAL Z5U .33uF	C1-C8, C10-C19, C33-C37, C39-C42, C301, C302, C305, C325, C335, C501, C502, C701, C804	901550-82	1/4W CF, 470K	R326, R336
	NOT LOADED	C20-C23	901550-84	1/4W CF, 1M	R711
390101-06	ELECT ALUM RADIAL, 10uF 16V	C306, C712	902410-11	RES PACK SIP PULLUP, 470 X 9	RP104
390101-04	ELECT ALUM RADIAL, 22uF 35V	C303, C304, C324, C334	902410-08	RES PACK SIP PULLUP, 4.7K X 9	RP101, RP102, RP401
390101-01	ELECT ALUM RADIAL, 47uF 35V	C821, C822	902410-07	RES PACK SIP PULLUP, 10K X 9	RP501
390101-02	ELECT ALUM RADIAL, 100uF 16V	C811-C816	390227-03	RES PACK SIP SERIES, 22 X 5	RP103
390101-03	ELECT ALUM RADIAL 470uF 16V	C307	390227-05	RES PACK SIP SERIES, 68 X 5	RP201, RP203
900100-56	ELECT ALUM RADIAL 3300uF 10V	C401, C402	390227-06	RES PACK SIP SERIES, 47 X 5	RP402, RP403
CONNECTORS			901600-129	RES 1/2W CF, 5.1	R401, R405, R406, R408
325516-04	4PIN FLOPPY POWER	CN12	390227-08	RES PACK SIP SERIES, 39 X 5	RP103
252167-01	5PIN SQ DIN	CN8		NOT LOADED	RP105-RP111, RP405
903335-08	8PIN SIL W/KEY	CN13	MISCELLANEOUS		
390241-03	D-SUB/23PIN/FEMALE/DB23S	CN5	904150-06	SOCKET, 40PIN DIP	U6-U8
390242-03	D-SUB/23PIN/MALE/DB23P	CN9	251313-01	SOCKET, 48PIN DIP	U3-U5
290241-05	D-SUB/25PIN/FEMALE/DE25S	CN7	904150-10	SOCKET, 64PIN DIP	U1
290242-05	D-SUB/25PIN/MALE/DB25P	CN6	390185-01	SOCKET, 84PIN PLCC	U2
390242-01	D-SUB/9PIN/MALE/DB9P	CN1, CN2	251313-02	SOCKET, 48PIN DIP	U3-U5
350903-01	HEADER 34PIN W/KEY	CN11	252344-01	OSCILLATOR, 28.37516MHz (PAL)	X1
390224-07	HEADER 56PIN MALE RA	CN4	325566-14	OSCILLATOR, 28.63636MHz (NTSC)	X1
252122-03	RCA JACK, YELLOW	CN10	312511-03	SCHEMATIC	
252122-01	RCA JACK, WHITE	CN4			
252122-04	RCA JACK, BLACK	CN3			
903326-08	8PIN SIL W/KEY	CN13			
903345-17	HEADER 34PIN W/KEY	CN11			
390248-01	RCA JACK, METAL	CN10			
390248-01	RCA JACK, METAL	CN3, CN4			

Note: Various components are for EMI Control and may be loaded with funny things...

JP2 controls where expansion ram maps to:
A23 -> C00000 (default), A19 -> 080000

XR1 is added to some boards per ECO 880283

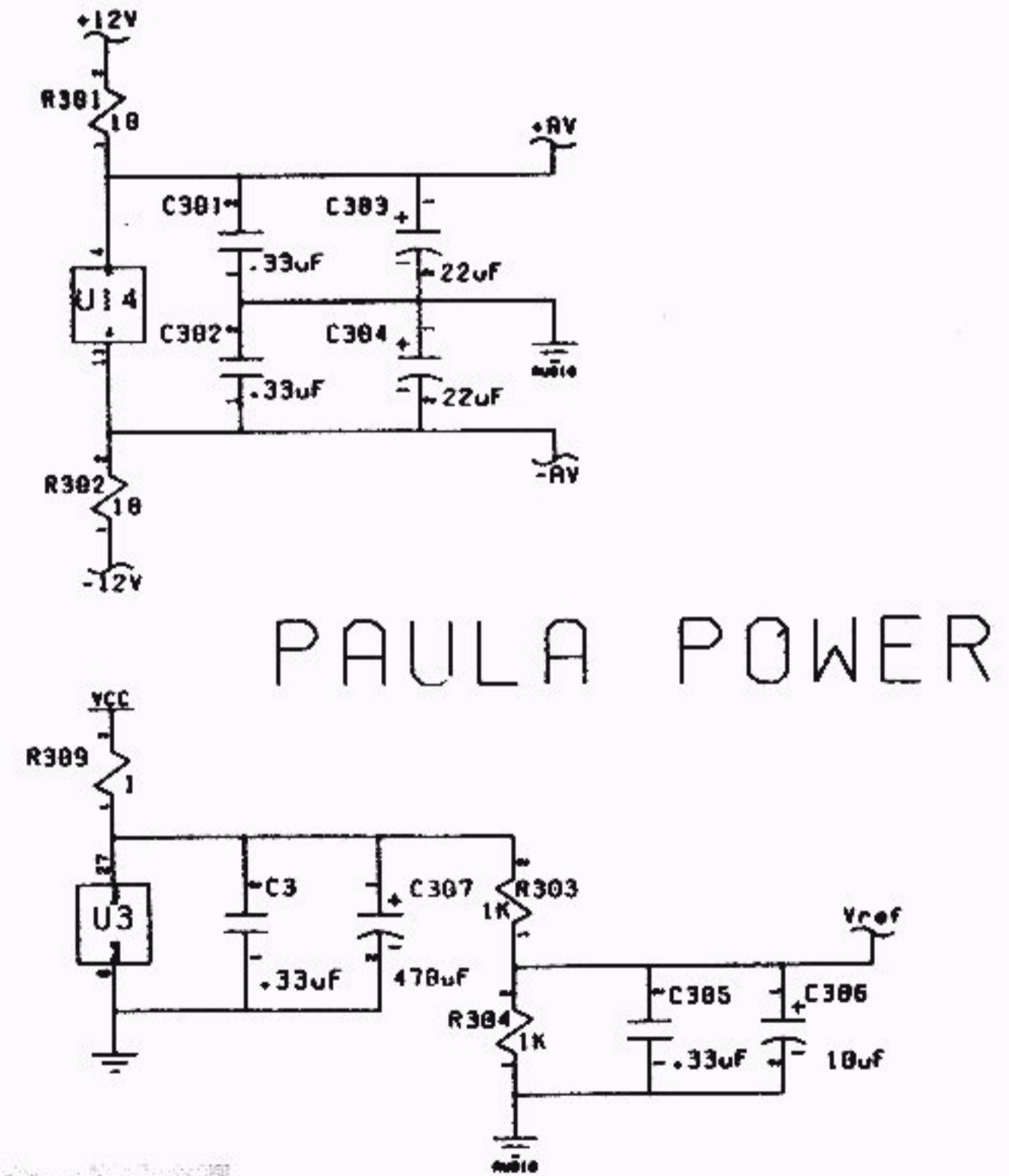
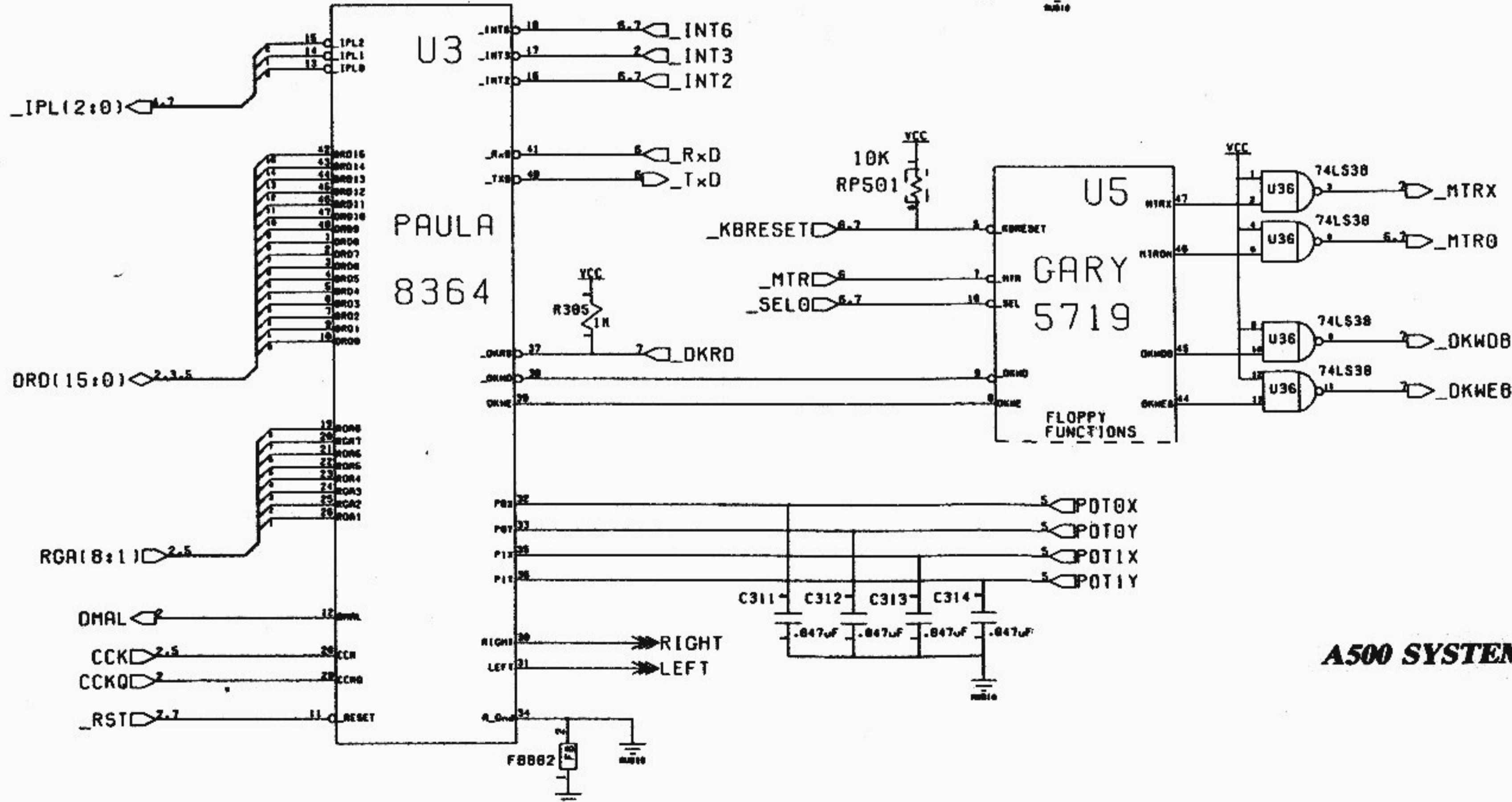
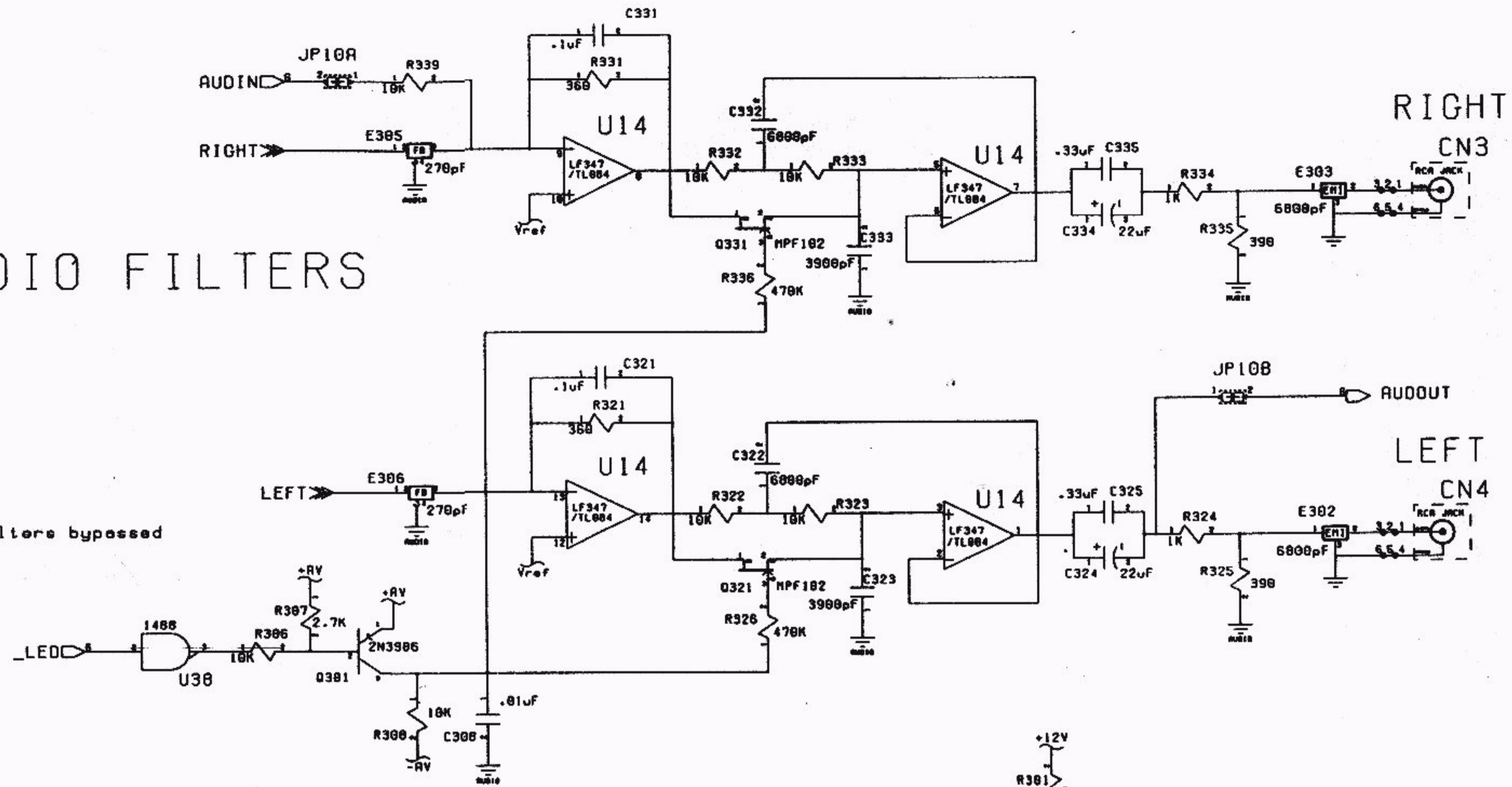


A500 SYSTEM SCHEMATICS

Note: PAL uses 28.37516 MHz

AUDIO FILTERS

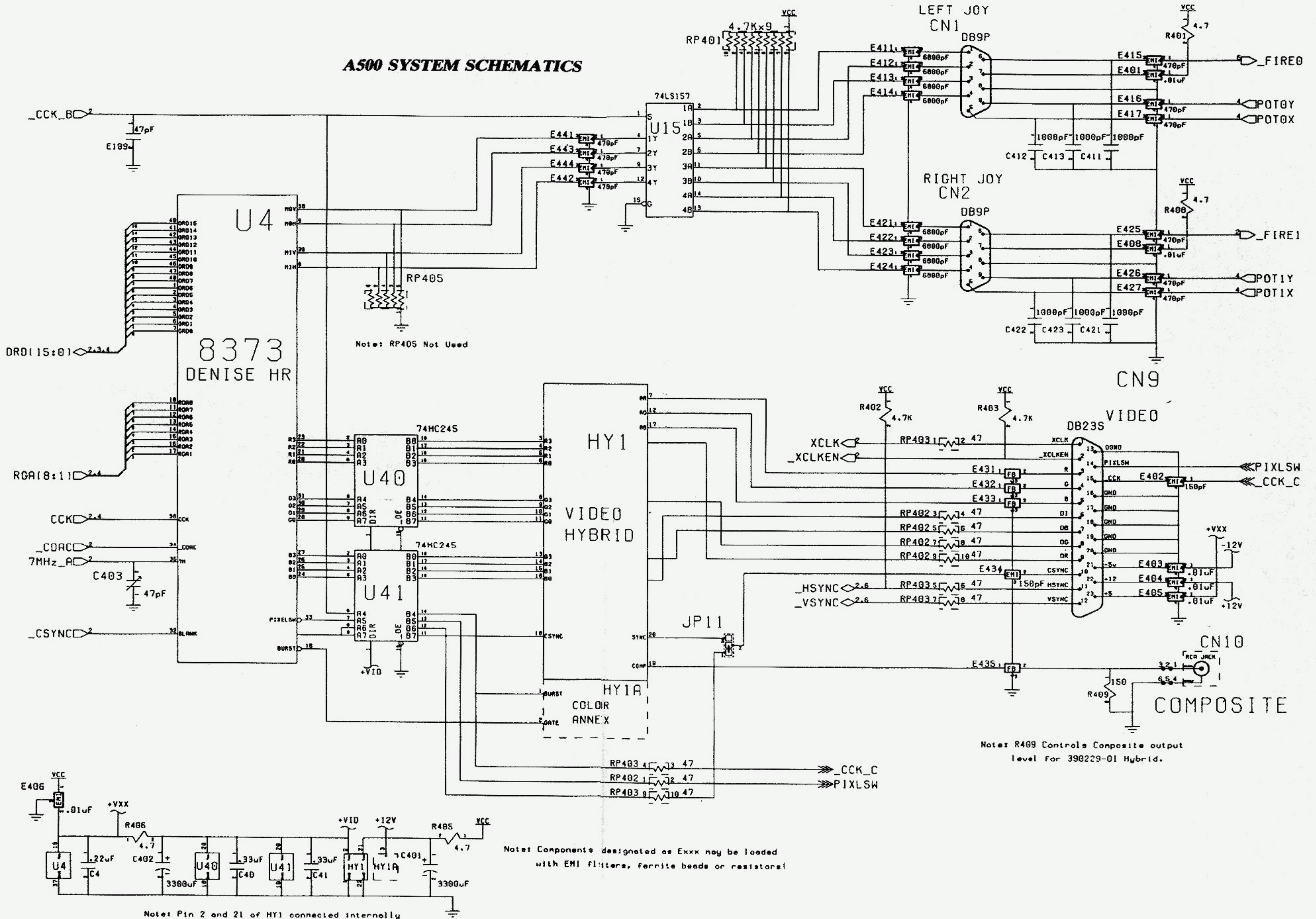
Note: LED off, Filters bypassed

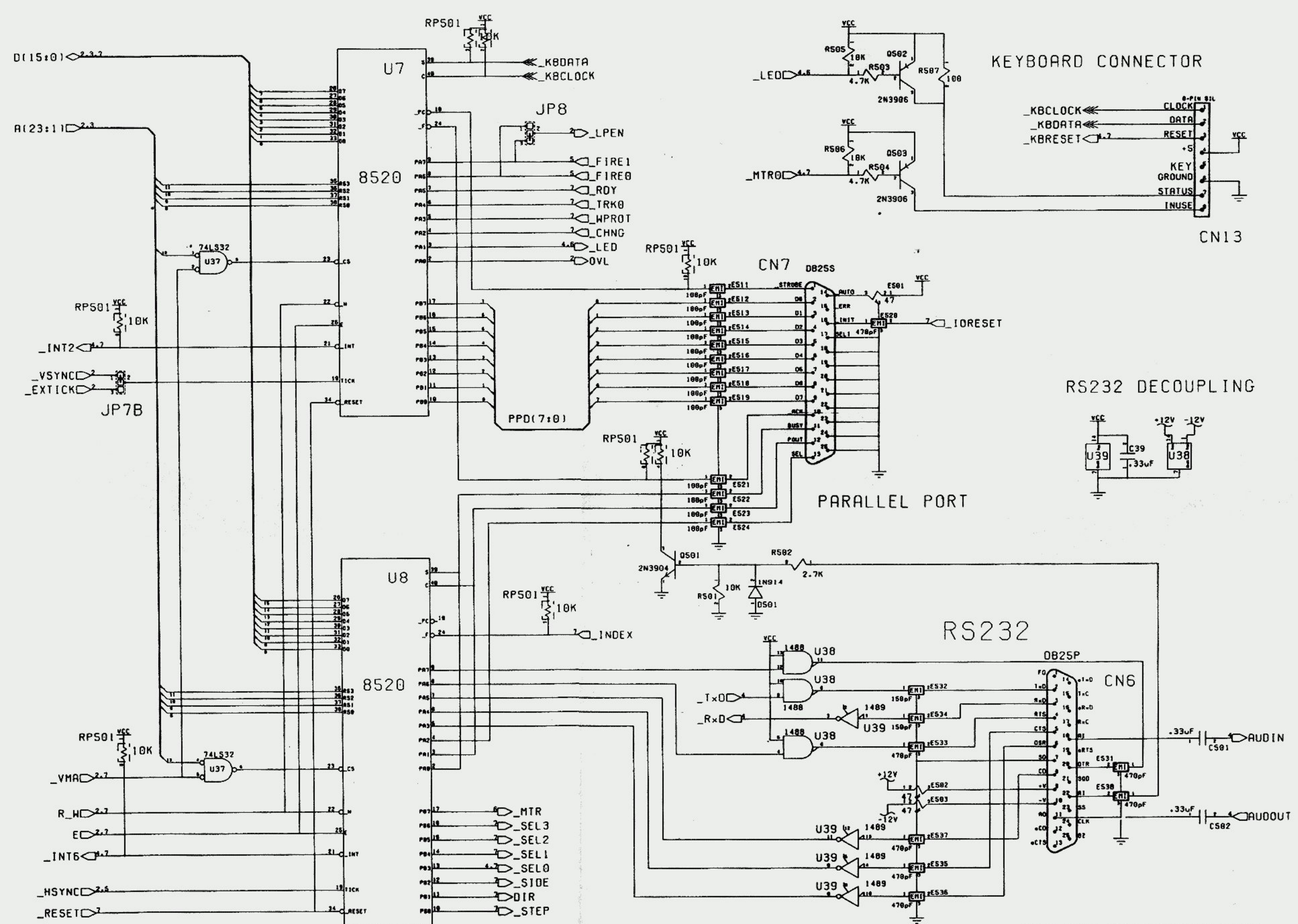


A500 SYSTEM SCHEMATICS

Note: Ground interconnection near audio jacks.

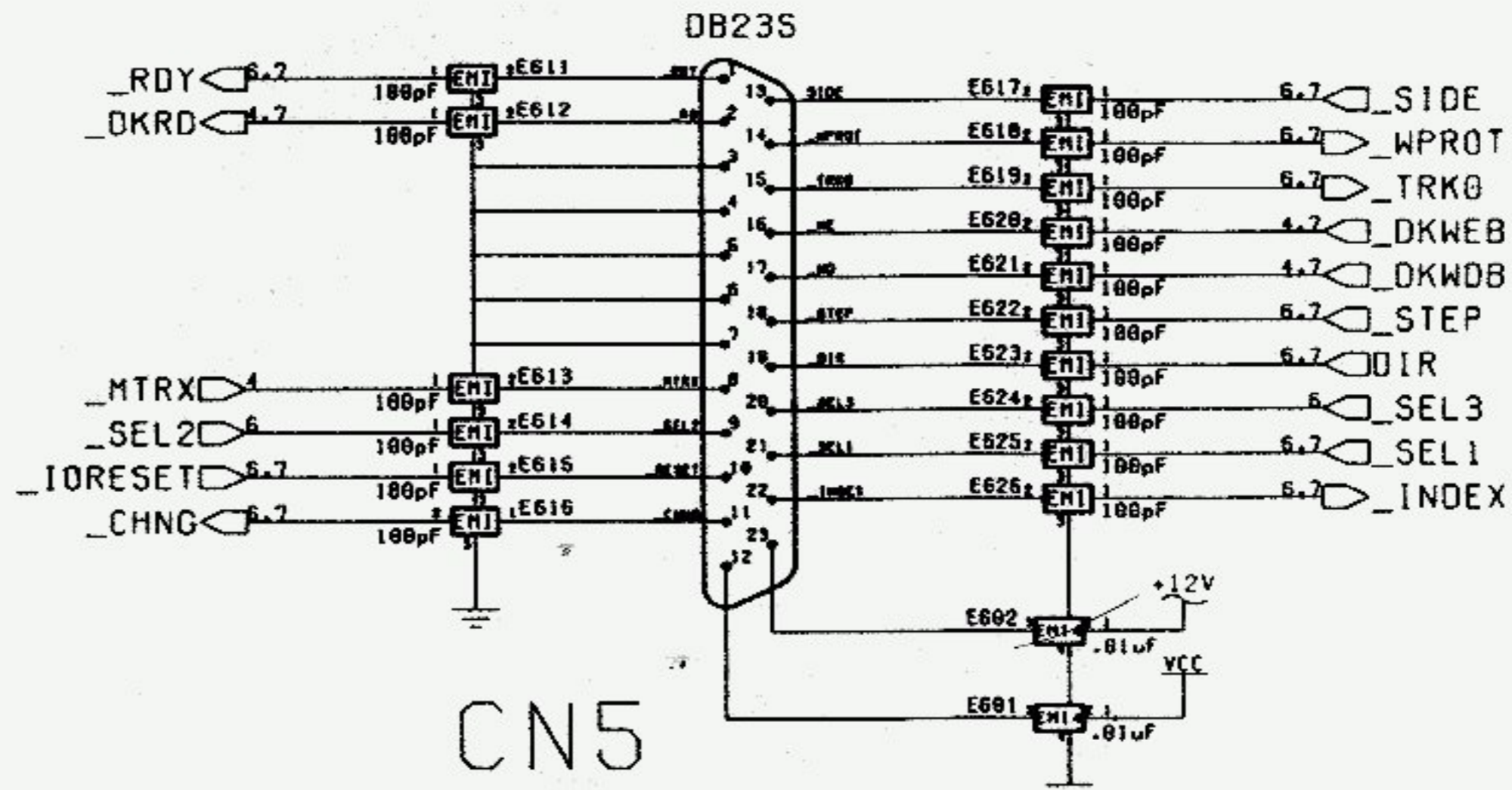
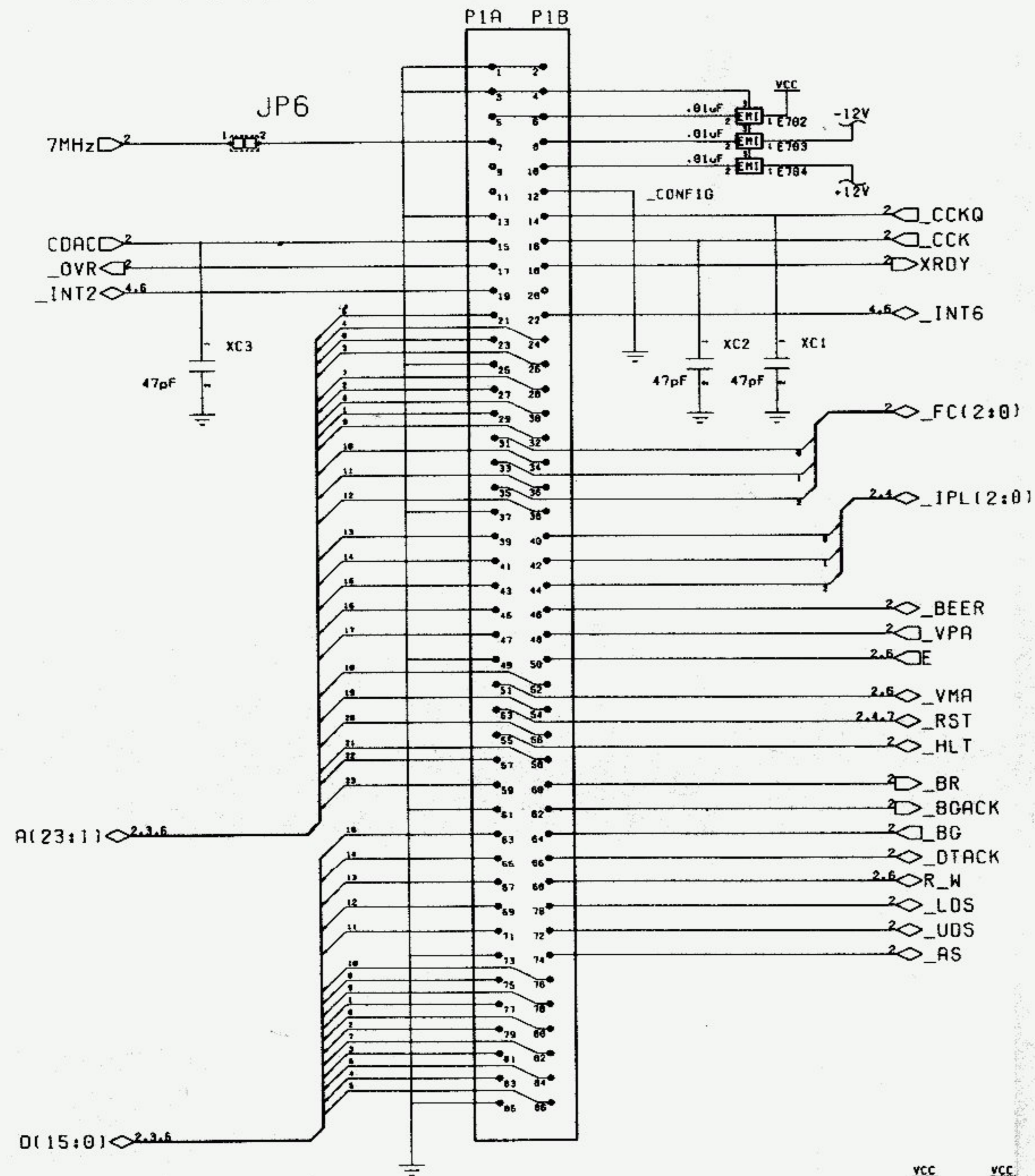
A500 SYSTEM SCHEMATICS





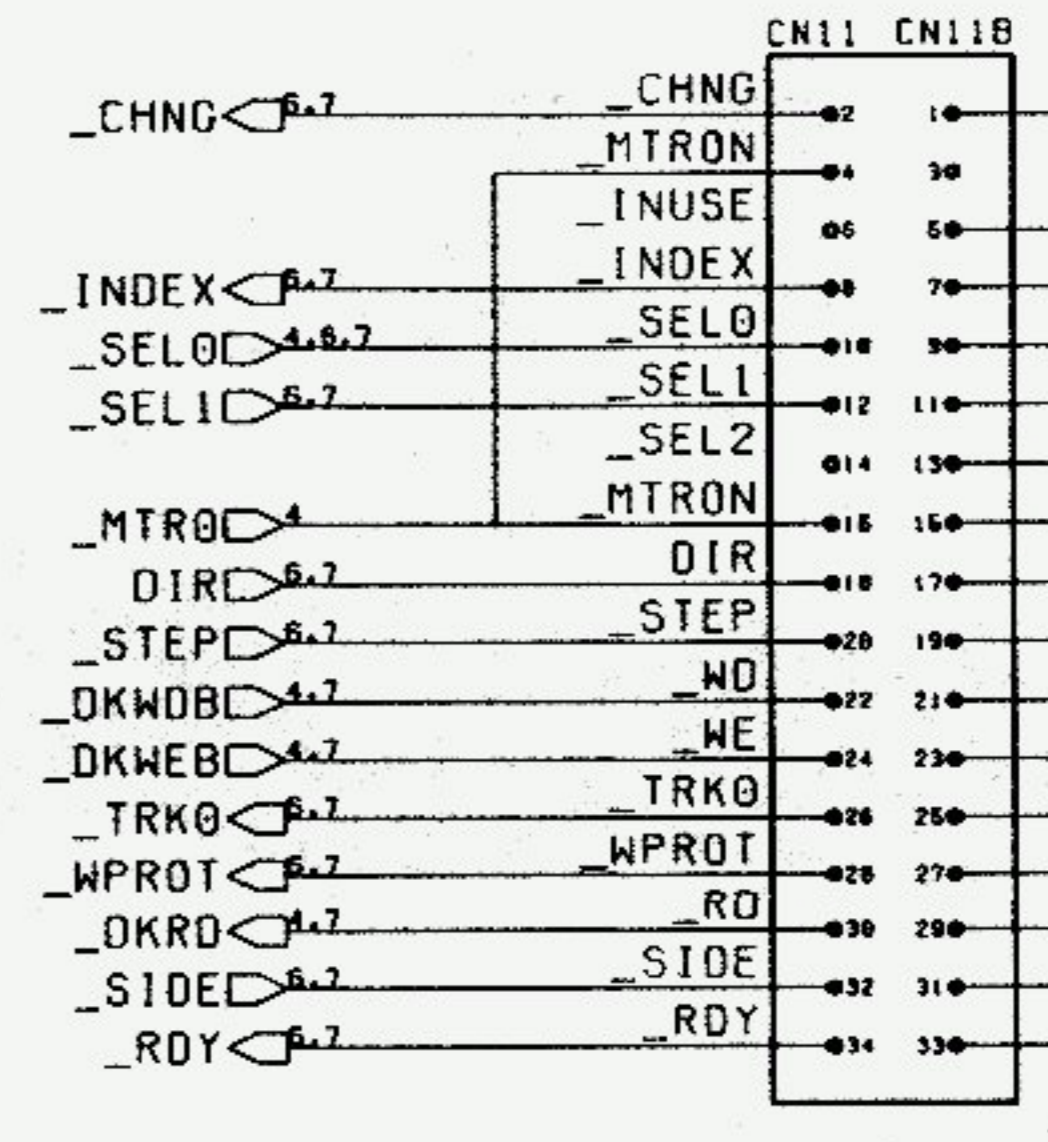
Note: E501-503 are loaded with 47 Ohm 1/2 W resistors

EXPANSION P1



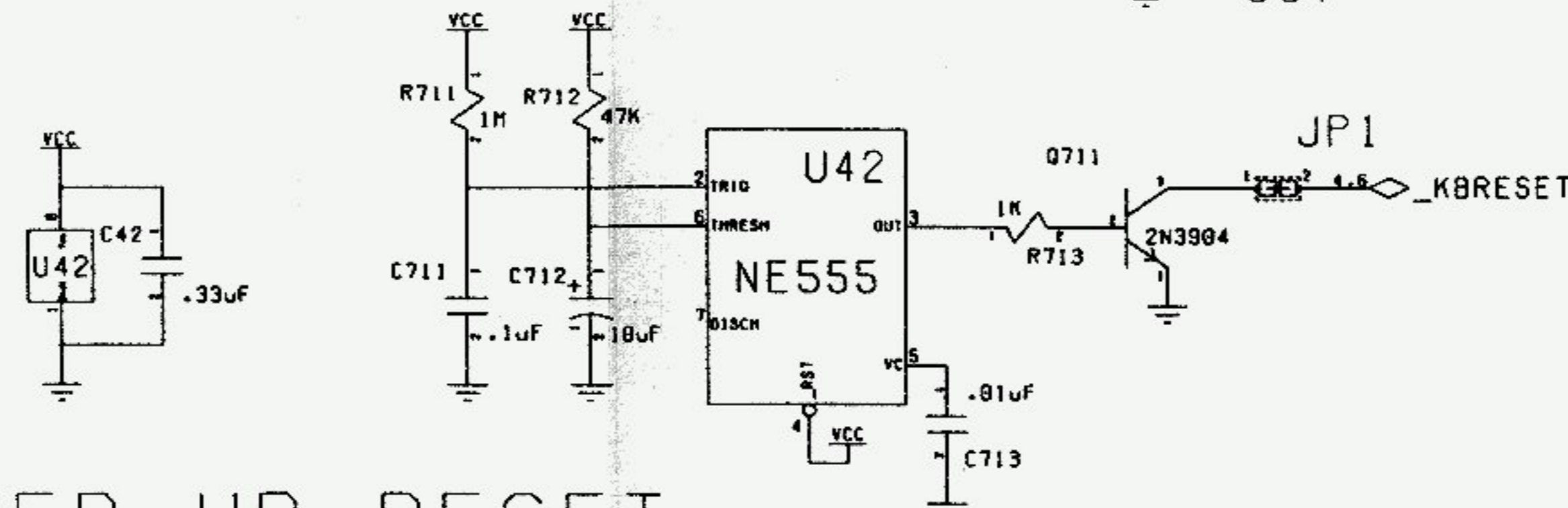
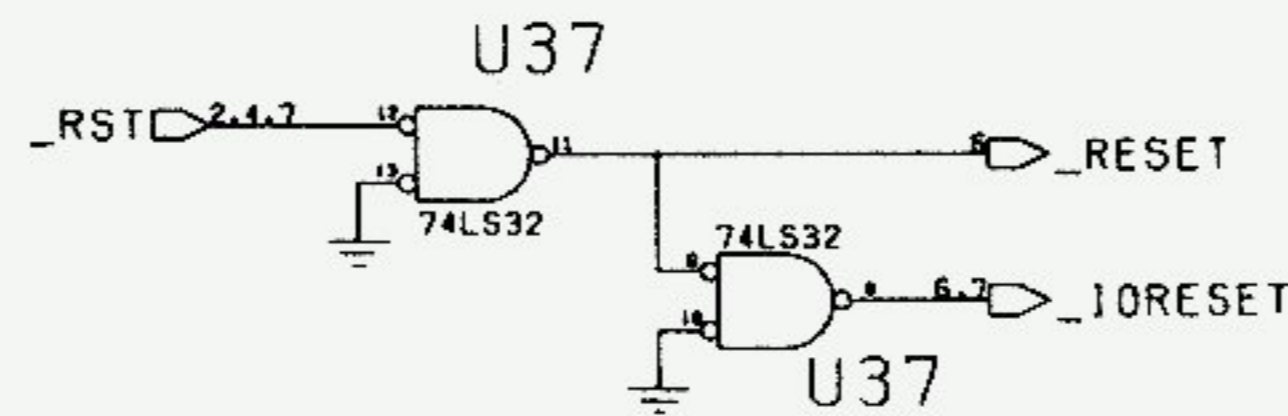
EXTERNAL FLOPPY

CN11



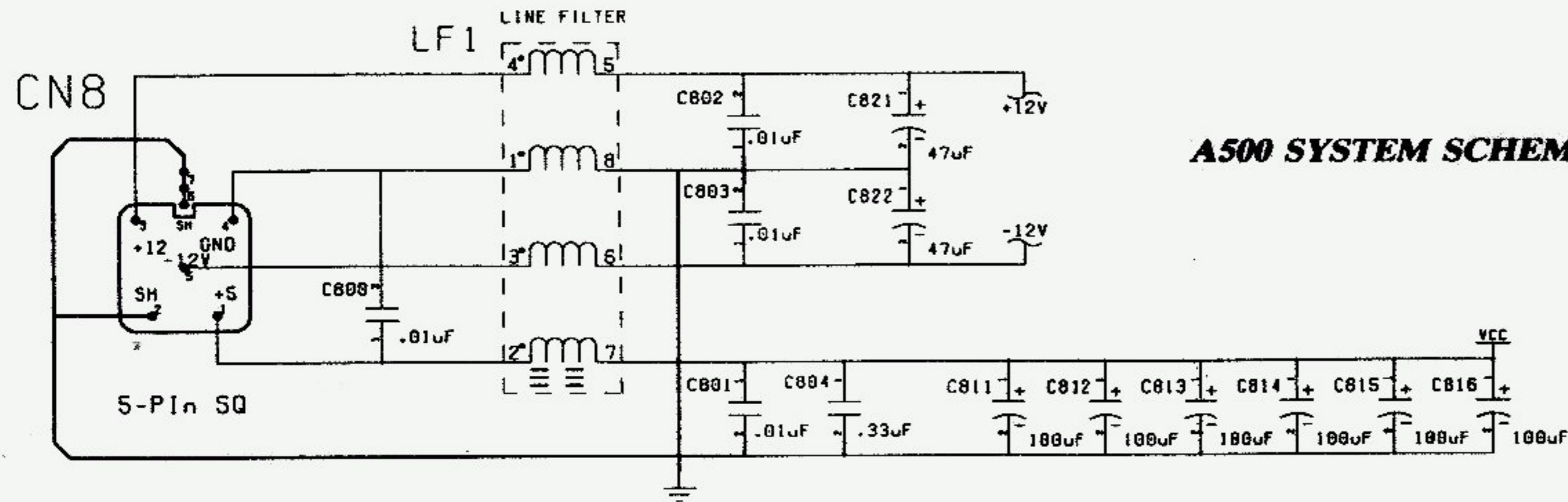
INTERNAL FLOPPY

A500 SYSTEM SCHEMATICS



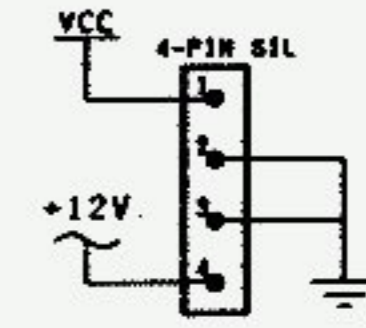
POWER UP RESET

POWER INPUT



A500 SYSTEM SCHEMATICS

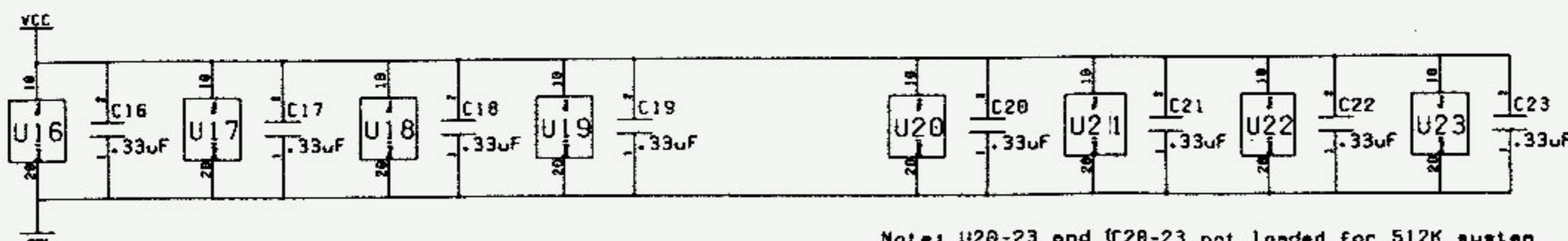
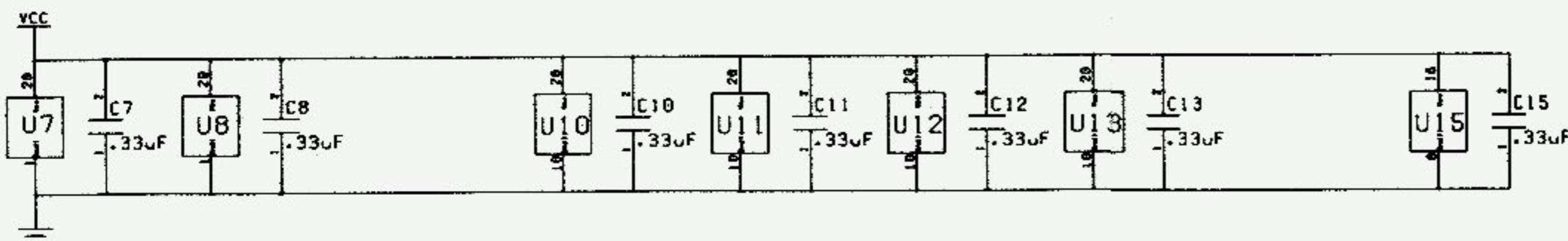
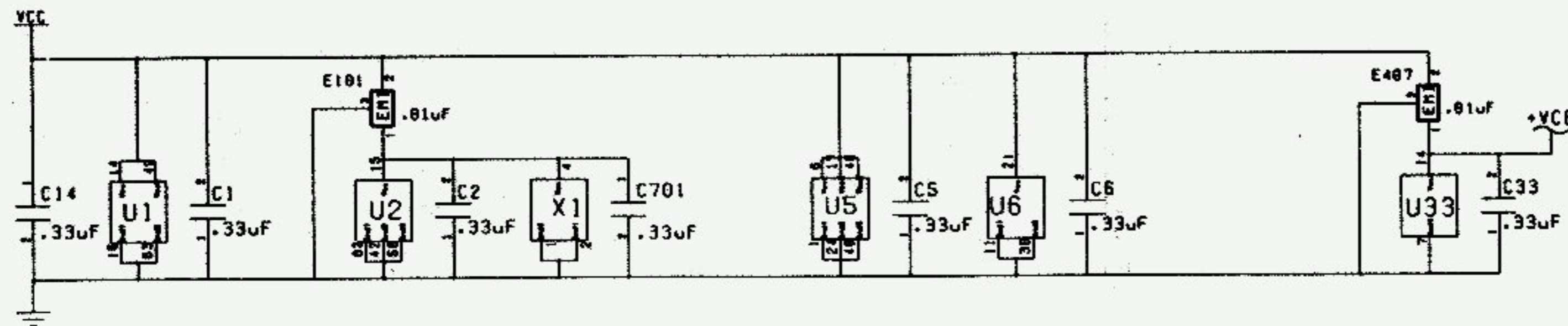
FLOPPY POWER



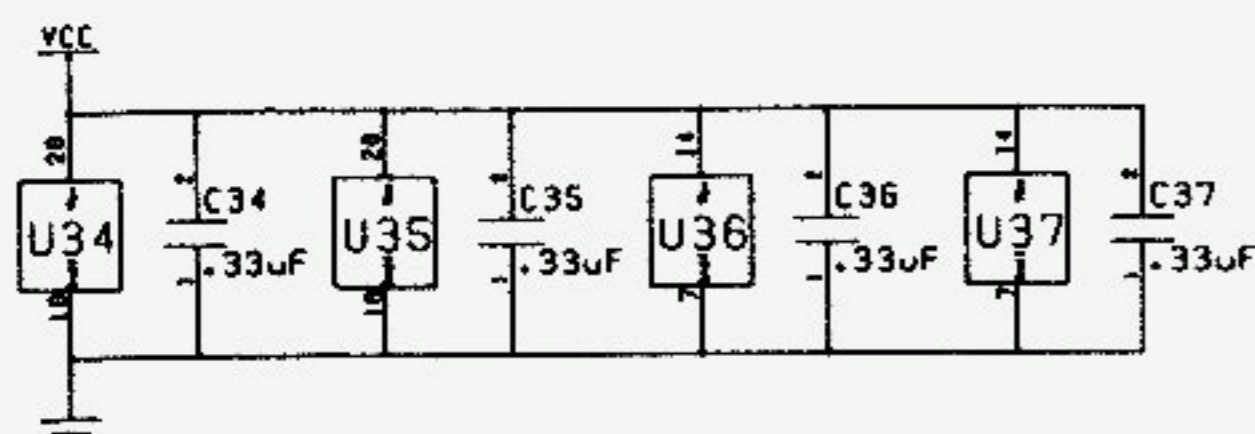
CN12

Note: Some drives are +5 only...

NOTE: HEAVY LINES INDICATE A SINGLE POINT CONNECTION

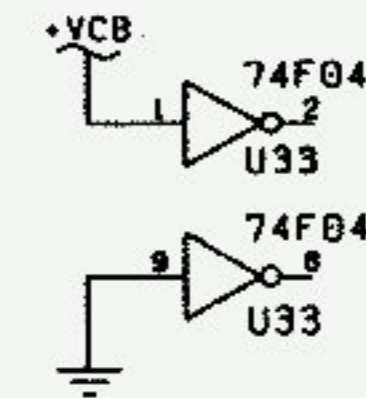


Note: U20-23 and C20-23 not loaded for 512K system



DECOUPLING

SPARES



GROUNDING HOLES, &c.

