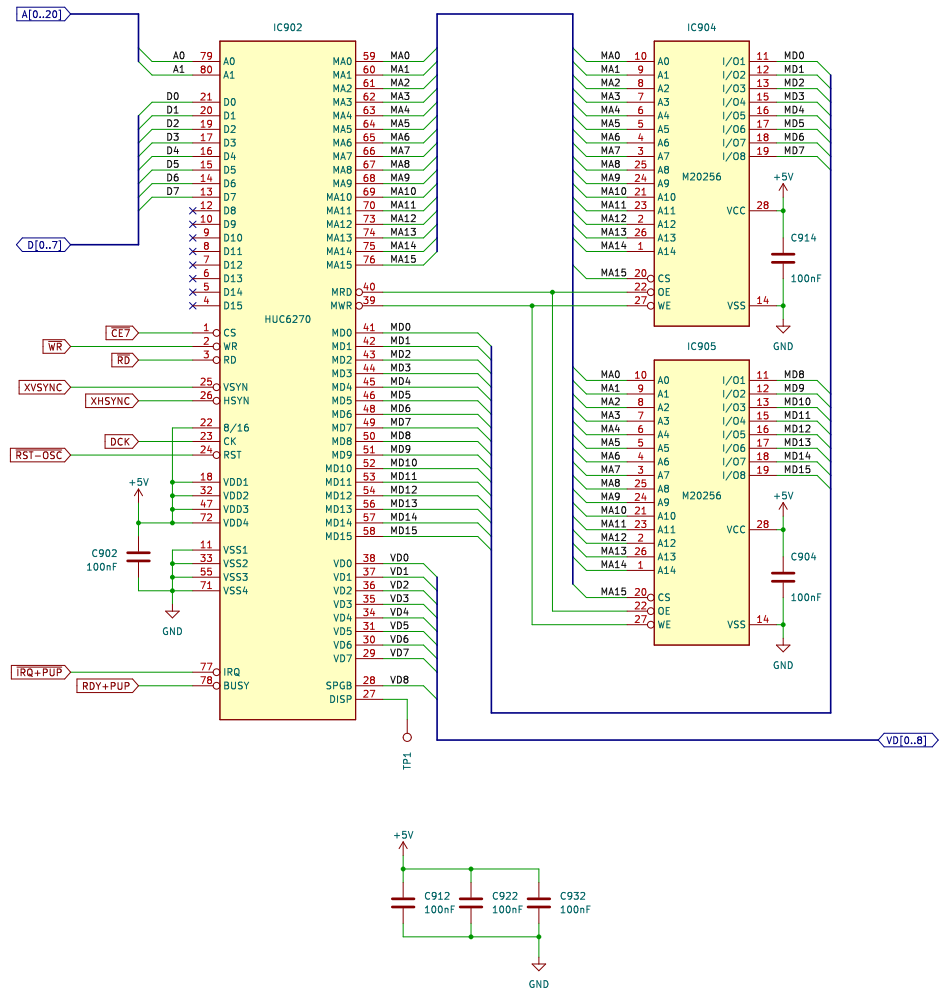
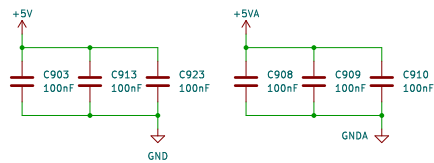
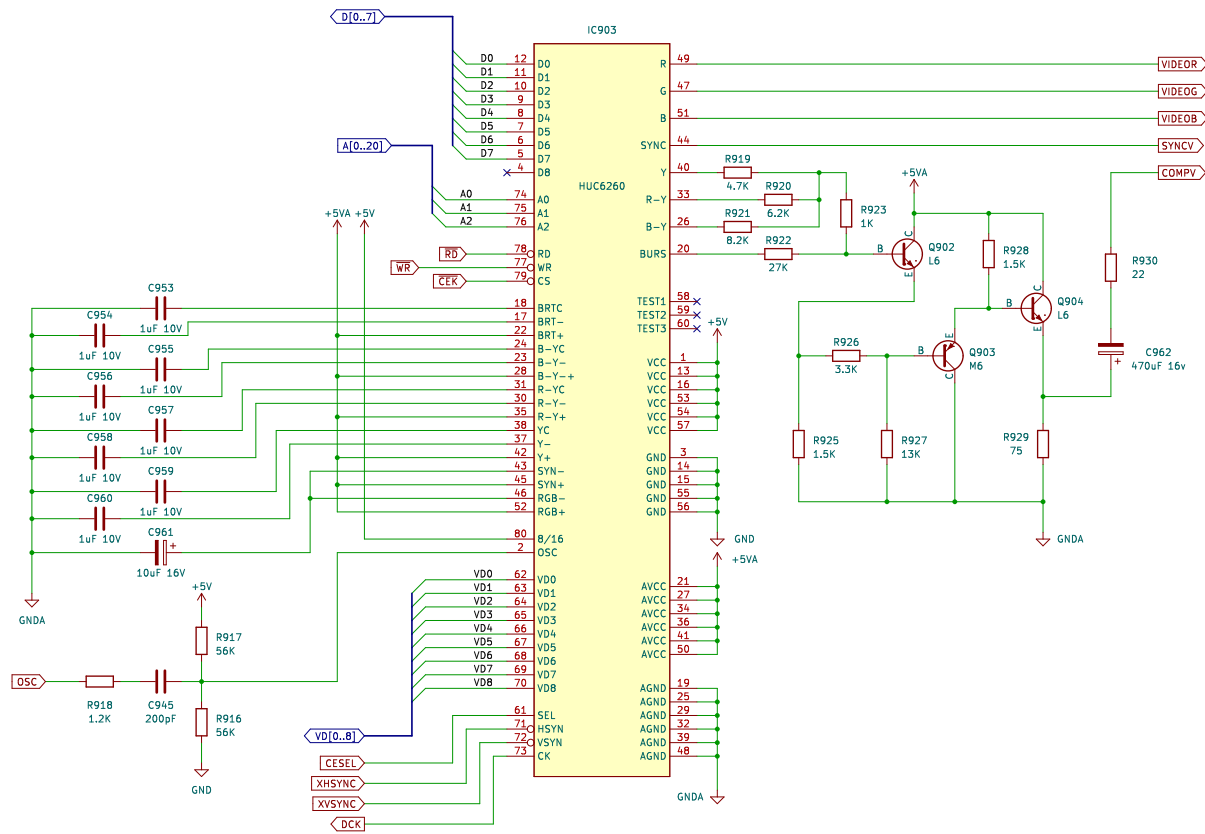


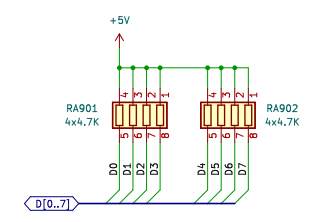
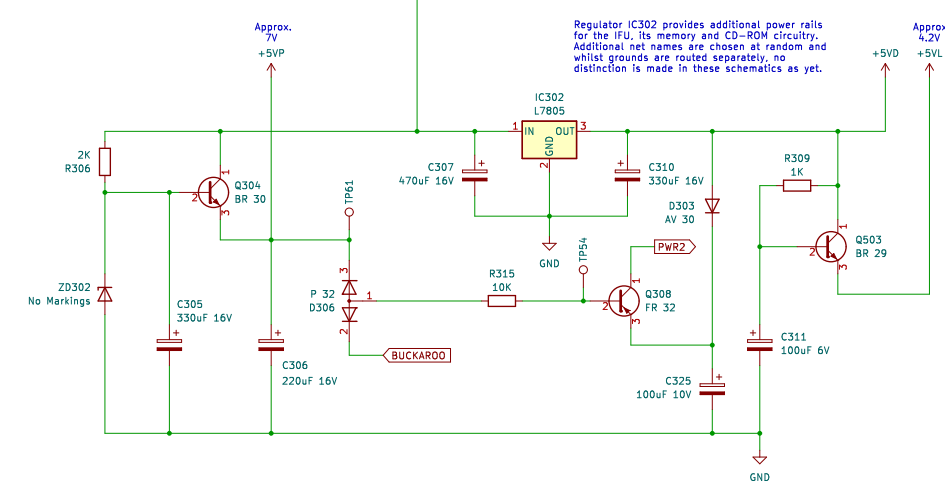
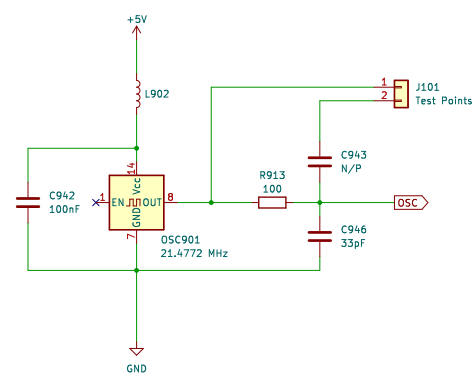
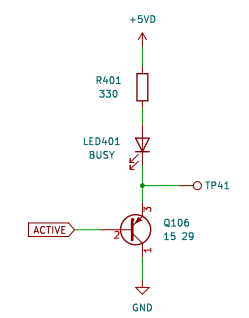
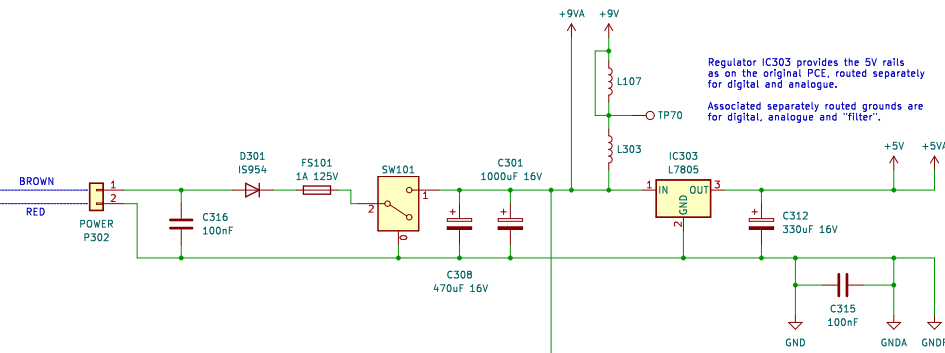
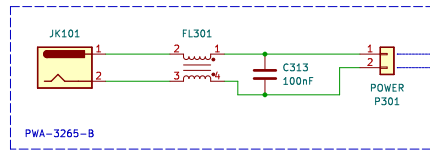
Parts common to PC Engine adapted from TurboGrafx-16 schematics.
 Additional parts reverse engineered from original PWA-3285-A 72932851 board.
 For contributions or corrections please visit:
<https://github.com/Board-Folk/PC-Engine-Duo>
By Cosam
 Sheet: /CPU/
 File: cpu.kicad_sch
Title: PC Engine Duo CPU and RAM
 Size: A3 Date: 2023-11-10 Rev: 1.3.1
 KiCad E.D.A. kicad 7.0.8 Id: 1/10



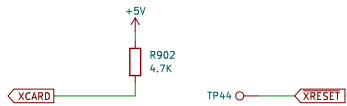
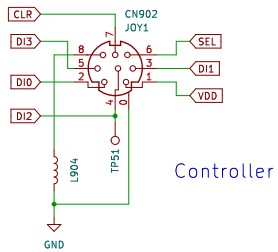
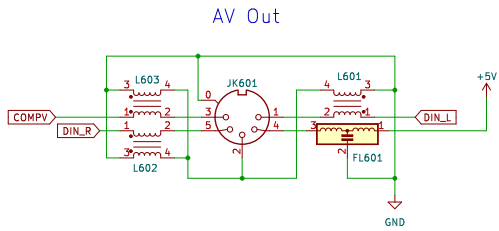
Parts common to PC Engine adapted from TurboGrafx-16 schematics.
 Additional parts reverse engineered from original PWA-3285-A 72932851 board.
 For contributions or corrections please visit:
<https://github.com/Board-Folk/PC-Engine-Duo>
By Cosam
 Sheet: /VDC/
 File: vdc.kicad_sch
Title: PC Engine Duo Video Display Controller and VRAM
 Size: A3 Date: 2023-11-10 Rev: 1.3.1
 KiCad E.D.A. kicad 7.0.8 Id: 2/10



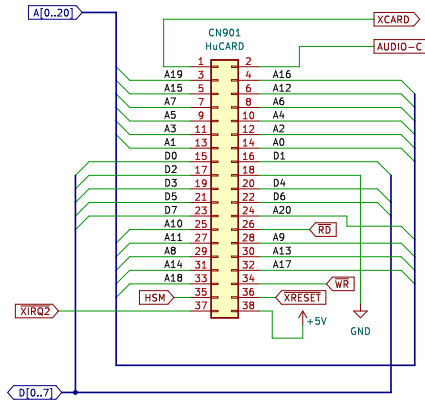
Parts common to PC Engine adapted from TurboGrafx-16 schematics.
 Additional parts reverse engineered from original PWA-3285-A 72932851 board.
 For contributions or corrections please visit:
<https://github.com/Board-Folk/PC-Engine-Duo>
By Cosam
 Sheet: /Video/
 File: video.kicad_sch
Title: PC Engine Duo Video Encoding
 Size: A3 | Date: 2023-11-10 | Rev: 1.3.1
 KiCad E.D.A. kicad 7.0.8 | Id: 3/10



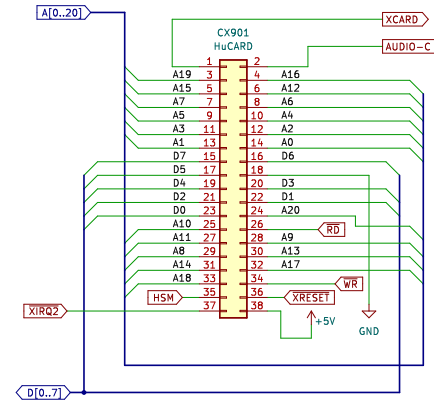
Parts common to PC Engine adapted from TurboGrafx-16 schematics.
Additional parts reverse engineered from original PWA-3285-A 72932851 board.
For contributions or corrections please visit:
<https://github.com/Board-Folk/PC-Engine-Duo>
By Cosam
Sheet: /Power/
File: power.kicad_sch
Title: PC Engine Duo Power, Oscillator and Misc.
Size: A3 | Date: 2023-11-10 | Rev: 1.3.1
KiCad E.D.A. kicad 7.0.8 | Id: 4/10



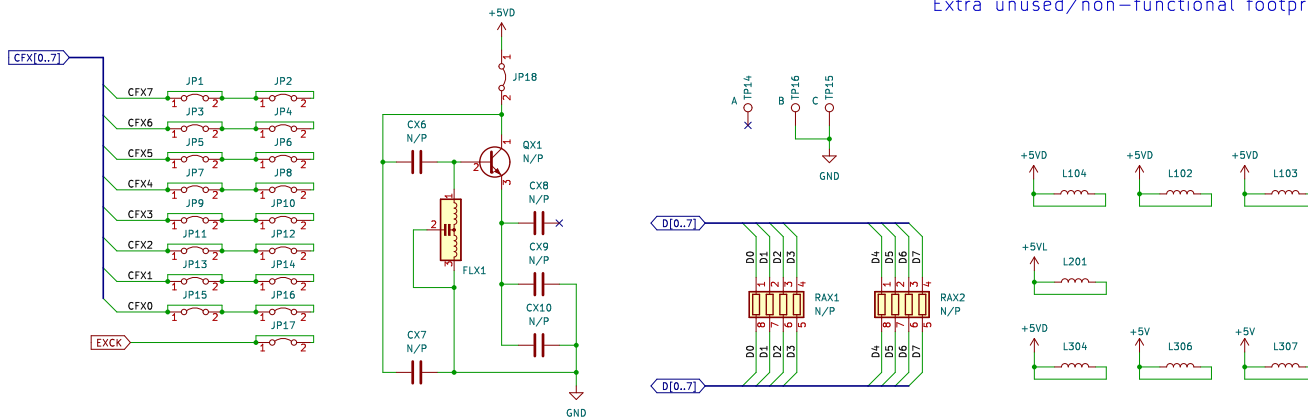
PC Engine Duo



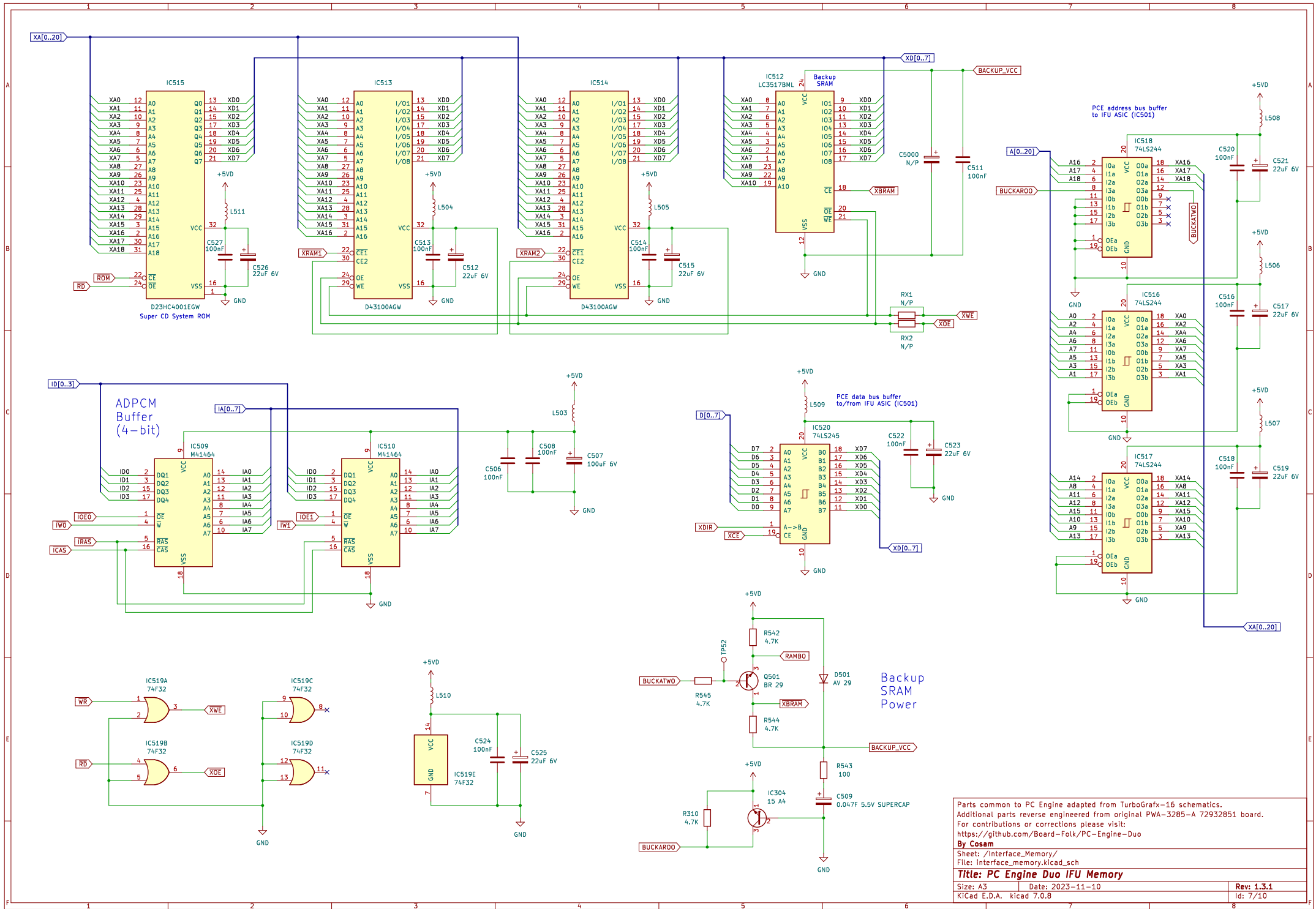
Turbo Duo (US)



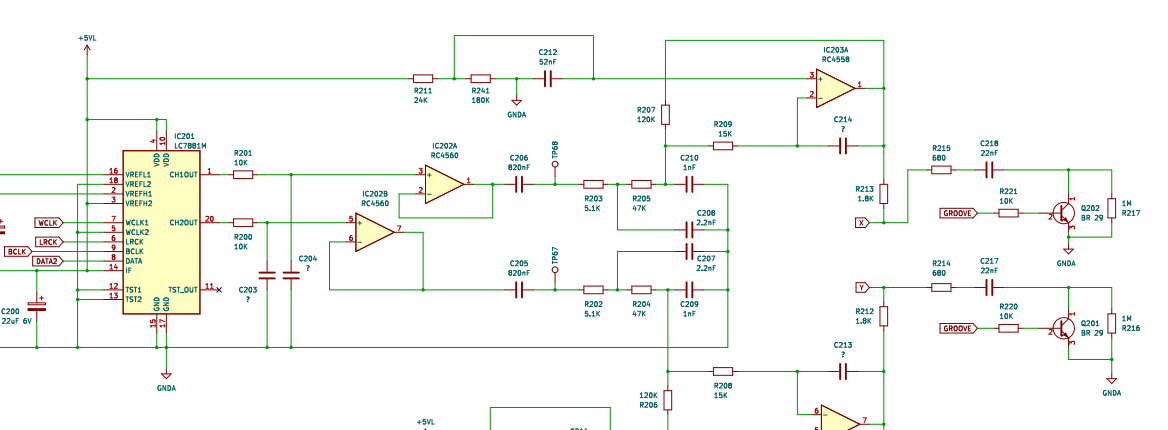
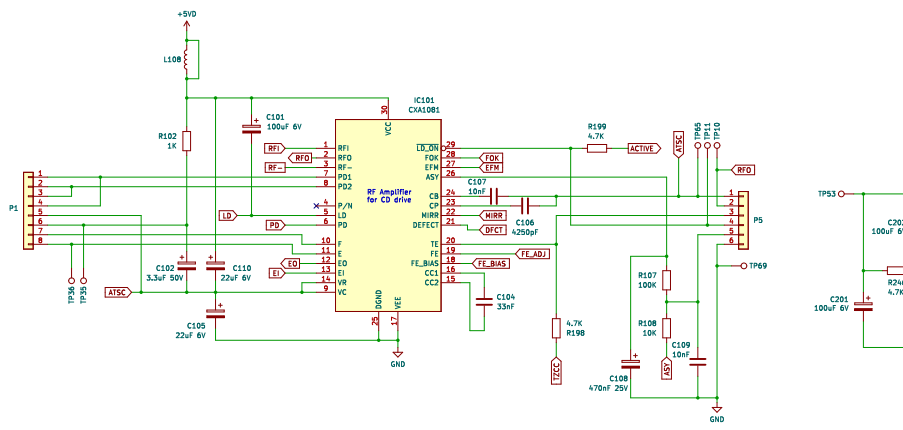
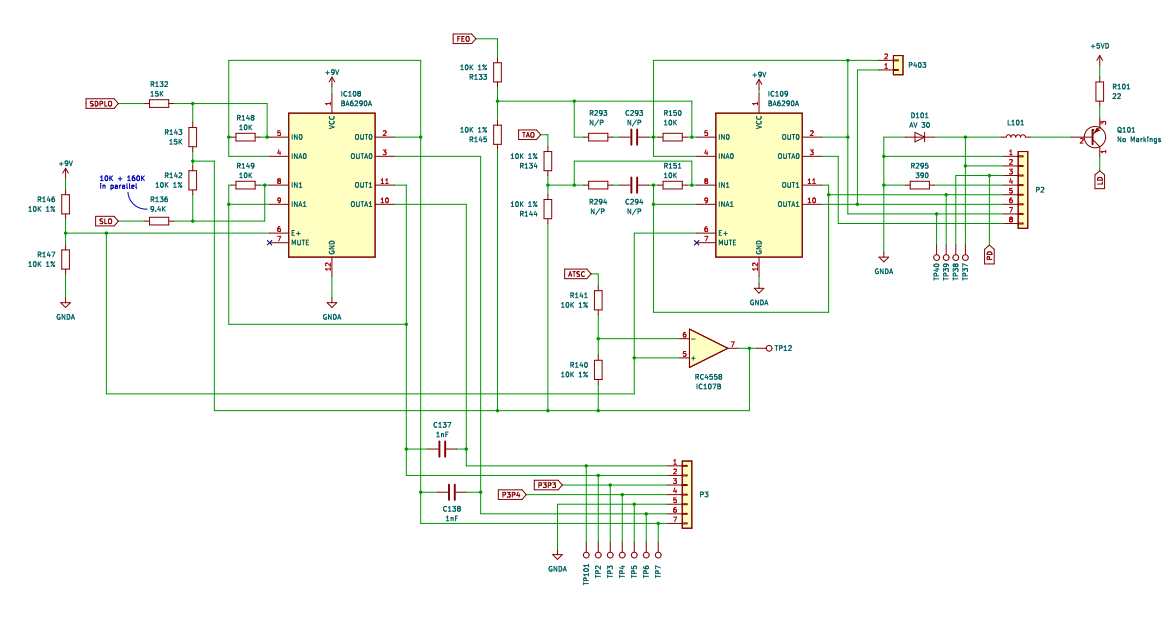
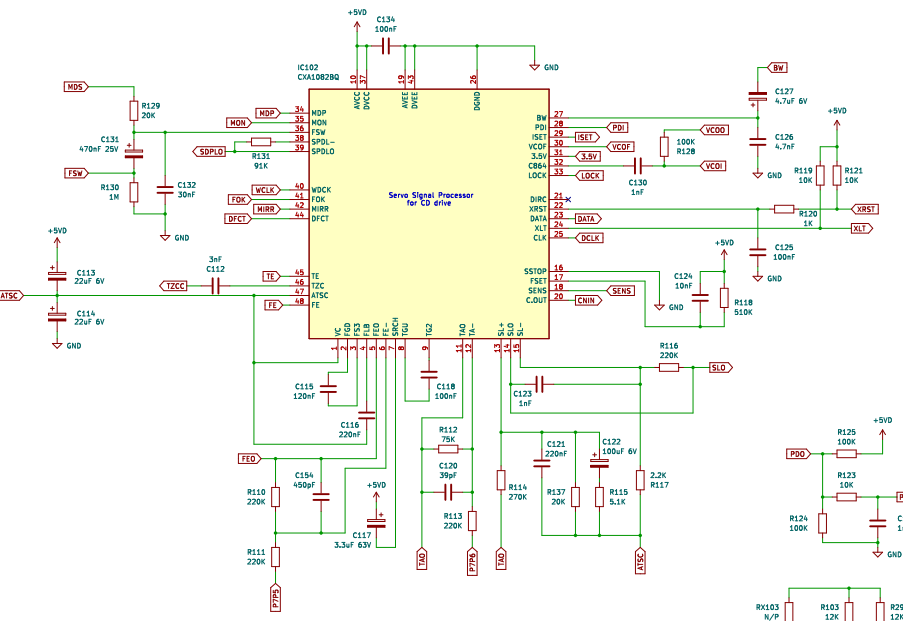
Extra unused/non-functional footprints



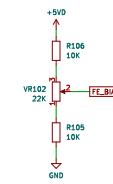
Parts common to PC Engine adapted from TurboGrafx-16 schematics.
 Additional parts reverse engineered from original PWA-3285-A 72932851 board.
 For contributions or corrections please visit:
<https://github.com/Board-Folk/PC-Engine-Duo>
By Cosam
 Sheet: /Connectors/
 File: connectors.kicad_sch
Title: PC Engine Duo Connectors
 Size: A3 | Date: 2023-11-10 | Rev: 1.3.1
 KiCad E.D.A. kicad 7.0.8 | Id: 5/10



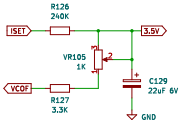
Parts common to PC Engine adapted from TurboGrafx-16 schematics.
 Additional parts reverse engineered from original PWA-3285-A 72932851 board.
 For contributions or corrections please visit:
<https://github.com/Board-Folk/PC-Engine-Duo>
By Cosam
 Sheet: /Interface_Memory/
 File: interface_memory.kicad_sch
Title: PC Engine Duo IFU Memory
 Size: A3 Date: 2023-11-10 Rev: 1.3.1
 KiCad E.D.A. kicad 7.0.8 Id: 7/10



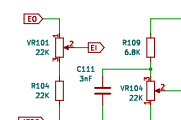
Focus Bias



VCO (PLL)

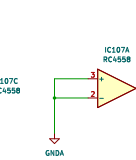
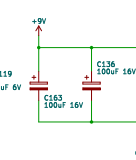
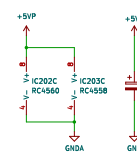
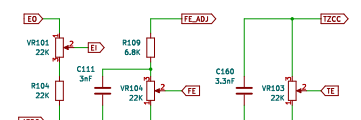


E/F Balance

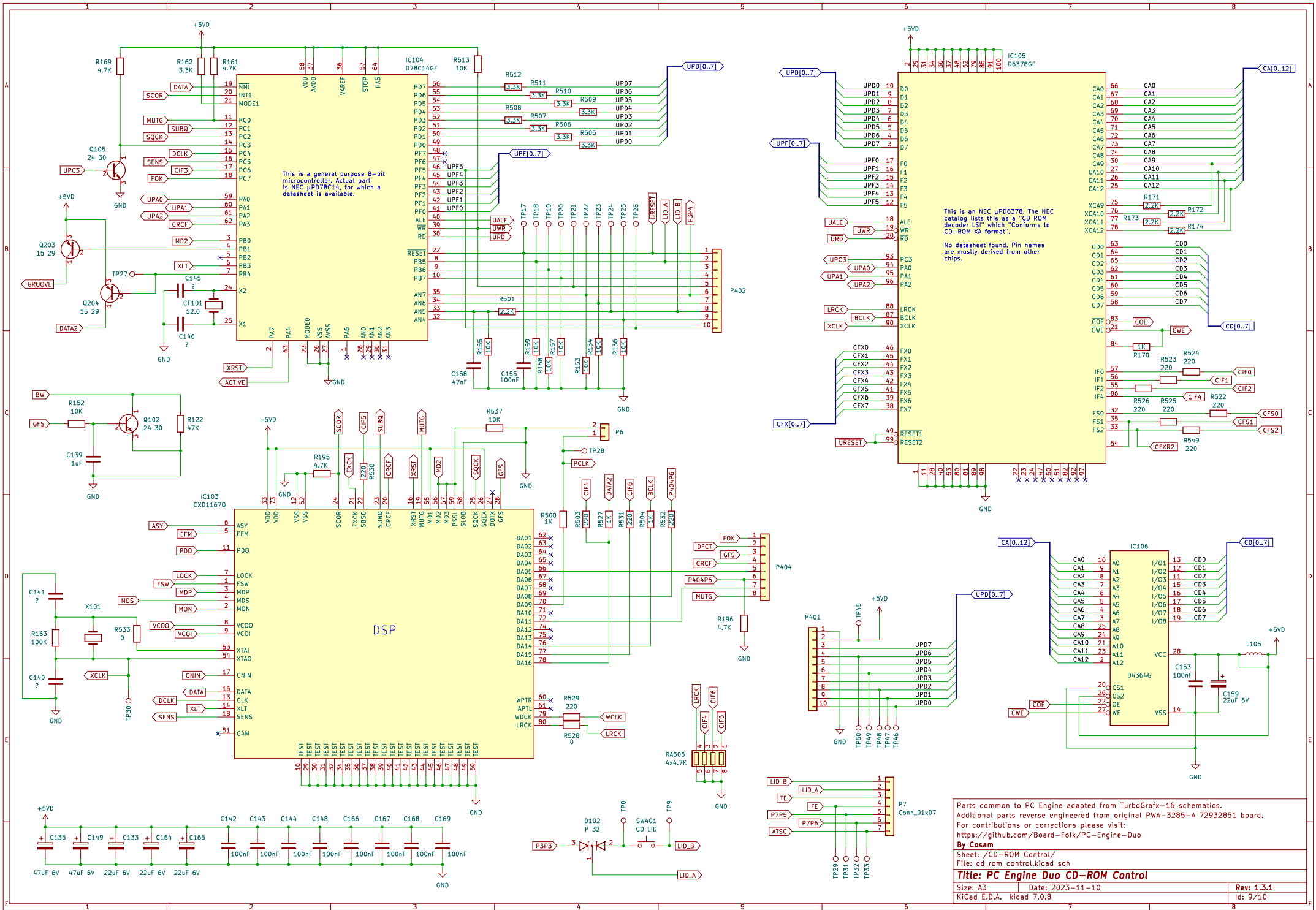


Focus Gain

Tracking Gain



Parts common to PC Engine adapted from turboGrafx-16 schematics.
 Additional parts reverse engineered from original PWA-3285-A 72932851 board.
 For contributions or corrections please visit:
<https://github.com/Board-Folk/PC-Engine-Duo>
 By Cream
 Sheet: /CD-ROM Mech Interface/
 File: cd_rom_mech.kicad_sch
Title: PC Engine Duo CD-ROM Mech Interface
 Size: 42 | Date: 2023-11-10 | Rev: 1.3.1
 Kicad E.D.A. Kicad 7.0.8 | Id: 8/10

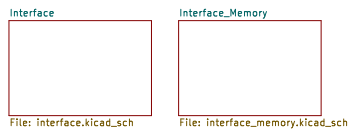


PC Engine
base system



These pages are based on schematics for the original PC Engine console,
which were in turn adapted from original schematics for the TurboGrafx 16.
Original net names have been maintained where applicable.

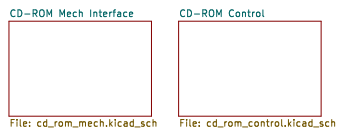
Integrated
IFU equivalent



This section covers the equivalent of the IFU-30
in the original PC Engine/CD-ROM² set-up.

There may be some cross-over
in parts on these sections/pages.

CD-ROM



This is everything between the IFU
and the CD-ROM drive mechanism.

GENERAL NOTES:

- These schematics are a work in progress. Use them at your own risk. Rely on them at your peril.
- Many signals have not been identified and/or have made-up names.
- Schematics are based on 72932851 specifically. Other revisions have some different parts.
- Ceramic capacitor values are based on measurements and may be inaccurate.
- There are probably more errors we don't know about; please let us know if you find any.

Parts common to PC Engine adapted from TurboGrafx-16 schematics. Additional parts reverse engineered from original PWA-3285-A 72932851 board. For contributions or corrections please visit: https://github.com/Board-Folk/PC-Engine-Duo		
By Cosam		
Sheet: /		
File: PCE.kicad_sch		
Title: Index		
Size: A3	Date: 2023-11-10	Rev: 1.3.1
KiCad E.D.A.	kicad 7.0.8	Id: 10/10