



SCPH-30001 R
SCPH-30002 R
SCPH-30003 R
SCPH-30004 R

SCPH-30000 R series

SERVICE MANUAL

for GH013(31/41) and GH014 MOUNT

1st Edition

PlayStation®2



Sony Computer Entertainment Inc.
Quality Assurance Department
Published in Japan ©9. 2001. 9-927-093-01

NOTICE

Copyright by Sony Computer Entertainment Inc. All rights reserved. No reproduced and transferred required except permission by Sony Computer Entertainment Inc. No commercial use and rental required.

REVISIONS.

This manual compiled by first edition of SCPH-30000 R series design data. Design and Specification will be subject to changed without notice. The latest versions of service manual, Technical memo, Technical information should be used together.

SAFETY-RELATED COMPONENT WARNING !!

COMPONENTS IDENTIFIED BY MARK \triangle OR DOTTED LINE WITH MARK \triangle ON THE SCHEMATIC DIAGRAMS AND IN THE PARTS LIST ARE CRITICAL TO SAFE OPERATION. REPLACE THESE COMPONENTS WITH SONY PARTS WHOSE PART NUMBERS APPEAR AS SHOWN IN THIS MANUAL OR IN SUPPLEMENTS PUBLISHED BY SONY.

ATTENTION AU COMPOSANT AYANT RAPPORT À LA SÉCURITÉ !

LES COMPOSANTS IDENTIFIÉS PAR UNE MARQUE \triangle SUR LES DIAGRAMMES SCHÉMATIQUES ET LA LISTE DES PIÈCES SONT CRITIQUES POUR LA SÉCURITÉ DE FONCTIONNEMENT. NE REMPLACER CES COMPOSANTS QUE PAR DES PIÈCES SONY DONT LES NUMÉROS SONT DONNÉS DANS CE MANUEL OU DANS LES SUPPLÉMENTS UBLIÉS PAR SONY.

CAUTION

Replace the battery with a Sony CR2032 battery. Use of any other type of battery may present the risk of fire or explosion. The battery may explode if mistreated. Do not recharge, disassemble, or dispose of in fire.

CAUTION

The use of optical instruments with this product will increase eye Hazard. As the laser beam used in this CD/DVD player is harmful To eyes, do not attempt to disassemble the cabinet. Refer servicing to qualified personnel only.

WARNING !!

WHEN SERVICING, DO NOT APPROACH THE LASER EXIT WITH THE EYE TOO CLOSELY. IN CASE IT IS NECESSARY TO CONFIRM LASER BEAM EMISSION, BE SURE TO OBSERVE FROM A DISTANCE OF MORE THAN 25cm FROM THE SURFACE OF THE OBJECTIVE LENS ON THE OPTICAL PICK-UP BLOCK.

CAUTION

Use of controls or adjustments or performance of procedures other than those specified herein may result in hazardous radiation exposure.

CAUTION for electric shock

When power is ON, Don't touch to Power supply block, AC-inlet, Power switch and so on, not to get an electric shock at repair.

CAUTION for burning

When current is supplied, Some of part surface temperature like EE, GS, Regulator-IC, power supply, Optical device and so on. These part surface is become high temperature condition. When it repair, Don't touch them at a time during it surface is high temperature condition to take prevent against burning. Do repair after it is cooled down enough.

CAUTION

Danger of explosion if battery is incorrectly replaced. Replace only with the same or equivalent type recommended by the manufacturer. Discard used batteries according to the manufacturer's instructions.

ADVARSEL!

Lithiumbatteri - Eksplosjonsfare ved feilagtig håndtering. Udskiftning må kun ske med batteri af samme fabrikat og type. Levér det brugte batteri tilbage til leverandøren.

ADVARSEL

Eksplosjonsfare ved feilaktig skifte av batteri. Benytt samme batteritype eller en tilsvarende type anbefalt av apparatfabrikanten. Brukte batterier kasseres i henhold til fabrikantens instruksjoner.

VARNING

Explosionsfara vid felaktigt batteribyte. Använt samma batterityp eller en ekvivalent typ som rekommenderas av apparatillverkaren. Kassera använt batteri enligt fabrikantens instruktion.

VAROITUS

Paristo voi räjähtää, jos se on virheellisesti asennettu. Vaihda paristo ainoastaan valmistajan suosittelemaan tyyppiin. Hävitä käytetty paristo valmistajan ohjeiden mukaisesti.

SAFETY CHECK-OUT

After correcting the original service problem, perform the following safety checks before releasing the set to the customer:

1. Check the area of your repair for unsoldered or cold-soldered connections. Check the entire board surface for solder splashes and bridges.
2. Check the inter board wiring to ensure that no wires are "pinched" or contact high-wattage resistors.
3. Look for unauthorized replacement parts, particularly transistors, that were installed during a previous repair. Point them out to the customer and recommend their replacement.
4. Look for parts which, though functioning, show obvious signs of deterioration. Point them out of the customer and recommend their replacement.
5. Check the line cord for cracks and abrasion. Recommend the replacement of any such line cord to the customer.
6. Check the b+ voltage to see it is at the values specified.
7. Check the antenna terminals, metal trim, "metalized" knobs, screws, and all other exposed metal parts for ac leakage. Check leakage as described below.

LEAKAGE

The AC leakage from any exposed metal part to earth ground and from all exposed metal parts to any exposed metal part having a Return to chassis, must not exceed 0.5 mA (500 micro-amperes). Leakage current can be measured by any one of three methods.

1. A commercial leakage tester, such as the SIMPSON 229 or RCA WT-540A. Follow the manufacturers' instructions to use these instruments.
2. A battery-operated AC milli-ammeter. The Data Precision 245 digital multi-meter is suitable for this job
3. Measuring the voltage drop across a resistor by means of a VOM or battery-operated ac voltmeter. The "limit" indication is 0.75V, so analog meters must have an accurate low-voltage scale. The SIMPSON 250 and SANWA SH-63TRD are examples of a passive VOM that is suitable. Nearly all battery operated digital multi-meters that have a 2V AC range are suitable.

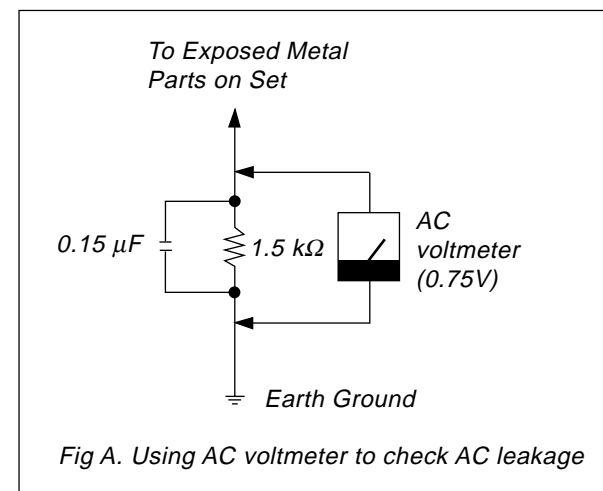


Fig A. Using AC voltmeter to check AC leakage

NOTIFICATION for environmental assessment

This model is CR2032 lithium battery onboard inside on the GD MOUNT as Timer backup power. CR2032 life may be about 5 to 8 years so you have very few need for changing to new one. But if you have necessary to replaced to new one or disassemble for scrapping, you have to keep your country low, regulation, standard, etc. of environmental assessment and safty.

TABLE OF CONTENTS

SCPH-30000 R series GH013(31/41) and GH014 MOUNT

Notice and Revisions	2
1. Specification	4
2. Supplied Accessories and Packing Block	5
3. Instruction Manual Block	6
4. Exploded Views	
Overall and Main Block	
for SCPH-30001 R	7
for SCPH-30002 R / -30003 R / -30004 R	8
MD Block	9
GH Mount Block and Shield (A) Assy Block	10
Switch Assy Block	11
Power Switch, Fan and Rear Panel Assy Block	12
MD, GB Mount and Plate Assy Block	13
5. Block Diagram	14
6. Printed Wiring Boards and Schematic Diagrams for GH013(31/41) Mount	
This Note is Common for Printed Wiring Boards and Schematic Diagrams	GH013(31/41)-1
GH013(31/41) MOUNT	GH013(31/41)-9
Electrical Parts List for GH013(31/41) MOUNT	GH013(31/41)-11
Switch MOUNT	GH013(31/41)-17
GB MOUNT	GH013(31/41)-18

7. Printed Wiring Boards and Schematic Diagrams for GH014 Mount	
This Note is Common for Printed Wiring Boards and Schematic Diagrams	GH014-1
GH014 MOUNT	GH014-9
Electrical Parts List for GH014 MOUNT	GH014-11
Switch MOUNT	GH014-17
GB MOUNT	GH014-18

SECTION 1 SPECIFICATIONS

General

Power requirements

120 V AC, 60 Hz *for SCPH-30001 R*
220 -240 V AC, 50/60 Hz
for SCPH-30002 R/-30003 R/-30004 R

Power consumption

79 W *for SCPH-30001 R*
50 W
for SCPH-30002 R/-30003 R/-30004 R

Dimensions

301 × 78 × 182 mm (w/h/d)

Mass

2.4 kg

Inputs/Outputs on the front

Controller ports (2)
Memory card slots (2)
USB ports (2)
S400 (i-Link) port (1)

Inputs/Outputs on the rear

HDD bay slot (1)

Outputs on the rear

AV Multi out port (1)
RGB, Ycbr, Y/C, Composite-video,
Audio-L/R, XGA
Digital out port (1)
Optical audio

Supplied accessories

AC power cord (1)
A/V connecting cable (1)
Dualshock2 Analog controller (1)
Euro-AV Connector (1)
for SCPH-30003 R/-30004 R

SECTION 2 SUPPLIED ACCESSORIES AND PACKING BLOCK

NOTE :

- Due to standardization, replacements in the parts list may be different from the parts specified in the diagrams or the components used on the set.
- -XX and -X mean standardized parts, so they may have some difference from the original one.
- RESISTORS
METAL : Metal-film resistor.
F : nonflammable
Unit is Ω.

- SEMICONDUCTORS
In each case, u : μ, for example :
uA . . : μA . . . uPA . . : μPA . .
uPB . . : μPB . . . uPC . . : μPC . . . uPD . . : μPD . .
- CAPACITORS
uF : μF
- COILS
uH : μH

The components identified by mark Δ or dotted line with mark Δ are critical for safety. Replace only with part number specified.

SUPPLIED ACCESSORIES and PACKING GROUP

PLACE CODE #23

SCPH-30001 R ACCESSORIES & PACKING GROUP

Ref.	Part No.	Description
Δ AC	1-790-108-21	CORD, POWER
AV	1-792-028-11	AV CABLE (Integrated audio/video)
AV	1-792-028-21	AV CABLE (Integrated audio/video)
AV	1-792-028-31	AV CABLE (Integrated audio/video)
AV	1-792-028-41	AV CABLE (Integrated audio/video)
AV	1-792-238-53	AV CABLE (Integrated audio/video)
AV	1-792-238-72	AV CABLE (Integrated audio/video)
CONT	1-823-069-11	ANALOG CONTROLLER (DUALSHOCK 2)
CONT	1-823-069-21	ANALOG CONTROLLER (DUALSHOCK 2)
CONT	1-823-091-11	ANALOG CONTROLLER (DUALSHOCK 2)
CU	3-064-714-01	CUSHION
CU2	3-064-713-01	CUSHION 2
SH	3-065-170-01	SHEET, PROTECTION
TA	3-987-483-11	TAPE, BERODDED PREVENTION
CA	3-071-632-01	INDIVIDUAL, CARTON
MC	3-071-633-01	MASTER CARTON, 3 SETS
IMB	A-6785-338-A	MANUAL BLOCK ASSY, INSTRUCTION

SCPH-30002 R ACCESSORIES & PACKING GROUP

Ref.	Part No.	Description
Δ AC	1-555-074-51	CORD, POWER
AV	1-792-028-11	AV CABLE (Integrated audio/video)
AV	1-792-028-21	AV CABLE (Integrated audio/video)
AV	1-792-028-31	AV CABLE (Integrated audio/video)
AV	1-792-028-41	AV CABLE (Integrated audio/video)
AV	1-792-238-72	AV CABLE (Integrated audio/video)
AV	1-792-238-82	AV CABLE (Integrated audio/video)
CONT	1-823-069-11	ANALOG CONTROLLER (DUALSHOCK 2)
CONT	1-823-069-21	ANALOG CONTROLLER (DUALSHOCK 2)
CONT	1-823-091-11	ANALOG CONTROLLER (DUALSHOCK 2)
CU	3-064-714-01	CUSHION
SH	3-060-494-01	SHEET, PROTECTION
CA	3-071-639-01	INDIVIDUAL CARTON
MC	3-071-635-21	MASTER CARTON, 3 SETS
IMB	A-6785-341-A	MANUAL BLOCK ASSY, INSTRUCTION

SCPH-30003 R ACCESSORIES & PACKING GROUP

Ref.	Part No.	Description
Δ AC	1-751-115-21	CORD, POWER
Δ AC	1-751-115-31	CORD, POWER
Δ AC	1-790-023-21	CODE, POWER
AV	1-792-028-11	AV CABLE (Integrated audio/video)
AV	1-792-028-21	AV CABLE (Integrated audio/video)
AV	1-792-028-31	AV CABLE (Integrated audio/video)
AV	1-792-028-41	AV CABLE (Integrated audio/video)
AV	1-792-238-72	AV CABLE (Integrated audio/video)
AV	1-792-238-82	AV CABLE (Integrated audio/video)
CONT	1-823-069-11	ANALOG CONTROLLER (DUALSHOCK 2)
CONT	1-823-069-21	ANALOG CONTROLLER (DUALSHOCK 2)
CONT	1-823-091-11	ANALOG CONTROLLER (DUALSHOCK 2)
CONT	1-823-091-11	ANALOG CONTROLLER (DUALSHOCK 2)
CONV	1-573-291-12	CONNECTOR, CONVERSION
CONV	1-785-004-12	CONNECTOR, CONVERSION
CU	3-064-714-01	CUSHION
PAD	3-065-172-01	PAD, TOGETHER PACKING
SH	3-060-494-01	SHEET, PROTECTION
TA	3-987-483-11	TAPE, BERODDED PREVENTION
CA	3-071-634-11	INDIVIDUAL CARTON
MC	3-071-635-11	MASTER CARTON, 3 SETS
IMB	A-6785-340-A	MANUAL BLOCK ASSY, INSTRUCTION

SCPH-30004 R ACCESSORIES & PACKING GROUP

Ref.	Part No.	Description
Δ AC	1-575-131-82	CORD, POWER
Δ AC	1-823-152-11	CORD, POWER
AV	1-792-028-11	AV CABLE (Integrated audio/video)
AV	1-792-028-21	AV CABLE (Integrated audio/video)
AV	1-792-028-31	AV CABLE (Integrated audio/video)
AV	1-792-028-41	AV CABLE (Integrated audio/video)
AV	1-792-238-72	AV CABLE (Integrated audio/video)
AV	1-792-238-82	AV CABLE (Integrated audio/video)
CONT	1-823-069-11	ANALOG CONTROLLER (DUALSHOCK 2)
CONT	1-823-069-21	ANALOG CONTROLLER (DUALSHOCK 2)
CONT	1-823-091-11	ANALOG CONTROLLER (DUALSHOCK 2)
CONV	1-573-291-12	CONNECTOR, CONVERSION
CONV	1-785-004-12	CONNECTOR, CONVERSION
CU	3-064-714-01	CUSHION
PAD	3-065-172-01	PAD, TOGETHER PACKING
SH	3-060-494-01	SHEET, PROTECTION
TA	3-987-483-11	TAPE, BERODDED PREVENTION
CA	3-071-634-01	INDIVIDUAL CARTON
MC	3-071-635-01	MASTER CARTON, 3 SETS
IMB	A-6785-339-A	MANUAL BLOCK ASSY, INSTRUCTION

SECTION 3 INSTRUCTION MANUAL BLOCK

NOTE :

- Due to standardization, replacements in the parts list may be different from the parts specified in the diagrams or the components used on the set.
- -XX and -X mean standardized parts, so they may have some difference from the original one.
- RESISTORS
METAL : Metal-film resistor.
F : nonflammable
Unit is Ω .

- SEMICONDUCTORS
In each case, u : μ , for example :
uA . . : μ A . . uPA . . : μ PA . .
uPB . . : μ PB . . uPC . . : μ PC . . uPD . . : μ PD . .
- CAPACITORS
uF : μ F
- COILS
uH : μ H

The components identified by mark \triangle or dotted line with mark \triangle are critical for safety. Replace only with part number specified.

INSTRUCTION MANUAL BLOCK ASSY

PLACE CODE #23

A-6785-338-A INSTRUCTION MANUAL BLOCK ASSY
for SCPH-30001 R

Ref.	Part No.	Description
CI	3-066-021-01	CARD, CUSTOMER INQUIRY
CS	3-066-966-01	CARD, SERVICE NUMBER
IN	3-070-919-11	INSTRUCTION
IM	3-071-581-11	MANUAL, INSTRUCTION
ES	3-060-161-02	SHEET, ESRB

A-6785-341-A INSTRUCTION MANUAL BLOCK ASSY
for SCPH-30002 R

Ref.	Part No.	Description
AOR	3-066-158-02	CARD (A), OWNER REGISTRATION
DISK	3-066-725-02	DISK, DEMONSTRATION
IN	3-070-923-11	INSTRUCTION
IM	3-071-581-21	MANUAL, INSTRUCTION
SE	3-987-375-02	SEAL, SEAL

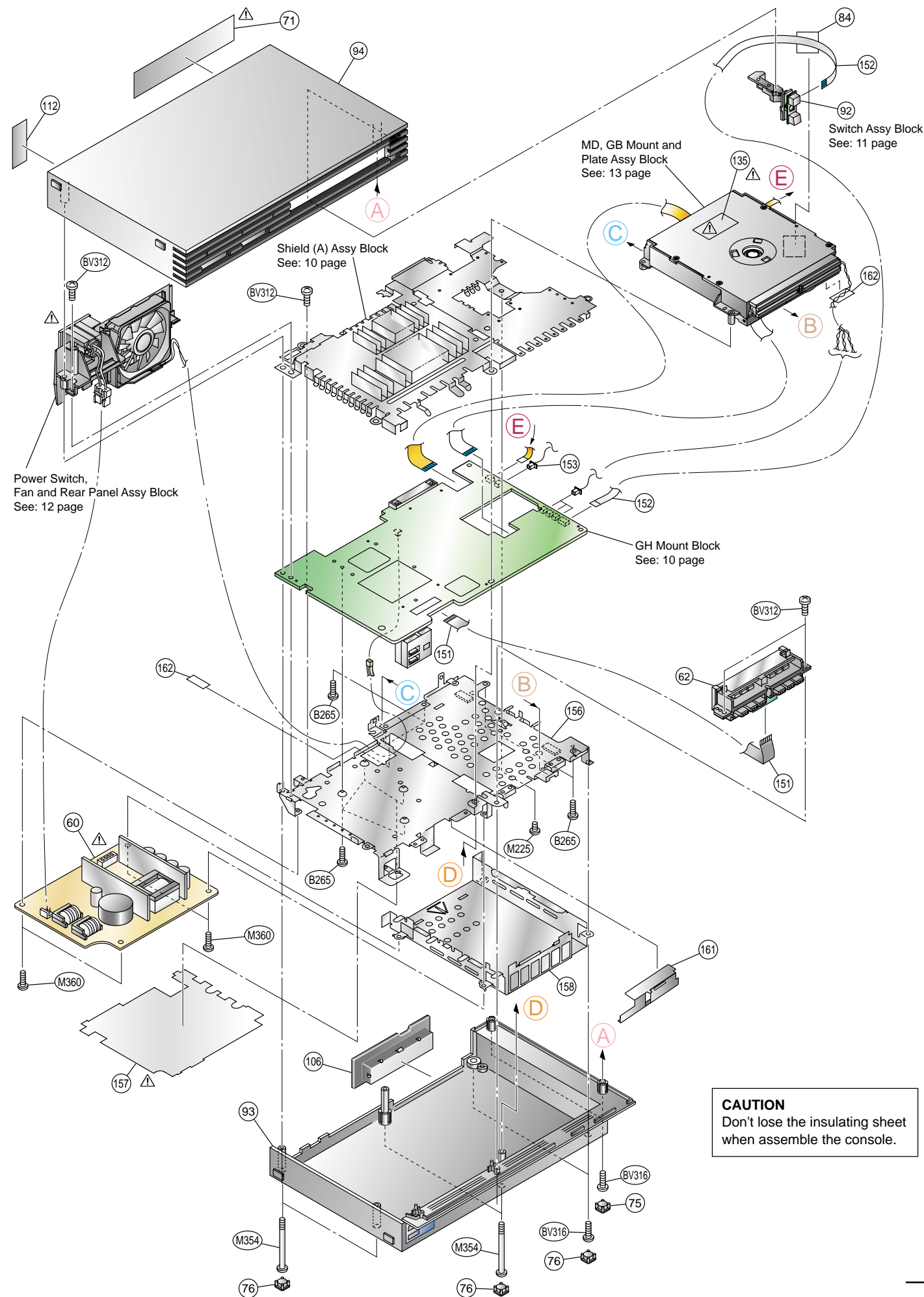
A-6785-340-A INSTRUCTION MANUAL BLOCK ASSY
for SCPH-30003 R

Ref.	Part No.	Description
BOR	3-066-159-02	CARD (B), OWNER REGISTRATION
DISK	3-066-725-02	DISK, DEMONSTRATION
IN	3-070-923-11	INSTRUCTION
IM	3-071-581-31	MANUAL, INSTRUCTION
SE	3-987-375-02	SEAL, SEAL

A-6785-339-A INSTRUCTION MANUAL BLOCK ASSY
for SCPH-30004 R

Ref.	Part No.	Description
COR	3-066-160-03	CARD (C), OWNER REGISTRATION
DISK	3-066-725-02	DISK, DEMONSTRATION
IN	3-070-916-11	INSTRUCTION
IM	3-071-581-41	MANUAL, INSTRUCTION
IM	3-071-581-51	MANUAL, INSTRUCTION
SE	3-987-375-02	SEAL, SEAL

Overall and Main Block for SCPH-30002 R/30003 R/30004 R



CAUTION

The components identified by mark \triangle or dotted line with mark \triangle are critical for safety. Replace only with part number specified.

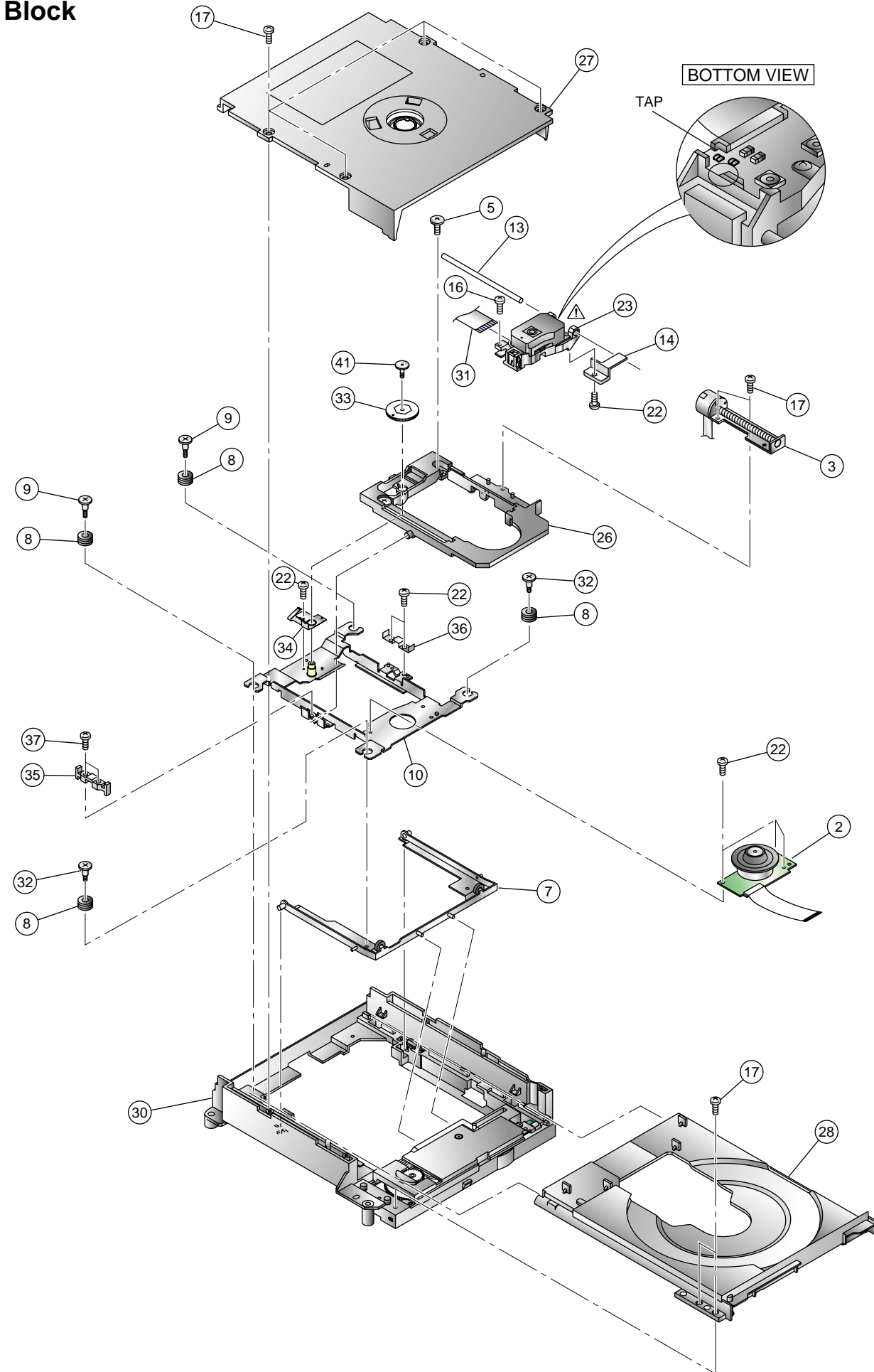
CAUTION :
Use of controls or adjustments or performance of procedures other than those specified herein may result in hazardous radiation exposure.

OVERALL AND MAIN BLOCK

Ref-No.	Part No.	Description	Remark	Place code
\triangle 60	1-468-605-11	POWER BLOCK	Use for GH013(31/41) MOUNT	#00
\triangle 60	1-468-605-12	POWER BLOCK	Use for GH014 MOUNT	#00
62	1-694-676-21	TERMINAL BOARD (FRONT)		#17
62	1-694-729-21	TERMINAL BOARD (FRONT)		#17
62	1-694-769-31	TERMINAL BOARD (FRONT)		#17
\triangle 71	3-071-900-01	LABEL, MODEL NUMBER (AU3)	for SCPH-30002 R	#87
\triangle 71	3-071-899-01	LABEL, MODEL NUMBER (CEK)	for SCPH-30003 R	#87
\triangle 71	3-071-898-01	LABEL, MODEL NUMBER (CEL)	for SCPH-30004 R	#87
75	3-059-626-03	COVER, SCREW		#22
76	3-059-627-01	CAP		#22
84	3-067-170-01	TAPE (20X20), HARNESS STOPPER		#87
92	A-6705-401-A	SWITCH BLOCK ASSY	Use for GH014 MOUNT	#87
92	A-6705-426-A	SWITCH BLOCK ASSY	Use for GH013(31/41) MOUNT	#87
93	X-3951-722-1	COVER ASSY, LOWER		#87
94	X-3951-721-1	COVER ASSY, UPPER		#87
106	X-3951-317-1	LID ASSY		#87
112	3-066-498-01	TAPE, VOID		#87
\triangle 135	3-988-711-02	LABEL, LASER CAUTION		#87
151	1-757-934-11	CABLE, FLEXIBLE FLAT (FFC-011)		#12
151	1-757-934-21	CABLE, FLEXIBLE FLAT (FFC-011)		#12
152	1-823-341-11	CABLE, FLEXIBLE FLAT (FFC-015)		#12
152	1-823-341-21	CABLE, FLEXIBLE FLAT (FFC-015)		#12
156	3-068-669-02	SHIELD (B)		#16
156	3-068-669-11	SHIELD (B)		#16
\triangle 157	3-068-674-02	SHEET, INSULATING		#16
158	3-068-675-02	SHIELD (HDD)		#87
161	3-070-120-01	SHEET, INTERCEPTION	Use for GH014 MOUNT	#87
162	3-069-212-01	TAPE, HARNESS STOPPER		#87
B265	3-069-170-01	TAPPING (B2X6.5)		#87
BV312	3-325-679-21	SCREW, TAPPING +BV 3X12		#87
BV316	3-070-296-01	TAPPING +BV 3X16		#87
BV316	3-325-679-91	SCREW (2 LOCK), +BV TAPPING		#87
M225	3-069-169-01	SCREW (M2X2.5)		#87
M354	3-059-622-02	SCREW (M3X54), HEAD TAPPING		#87
M360	3-069-168-01	TITE (CZN), M3X6 +BV S		#87

CAUTION
Don't lose the insulating sheet when assemble the console.

MD Block



CAUTION

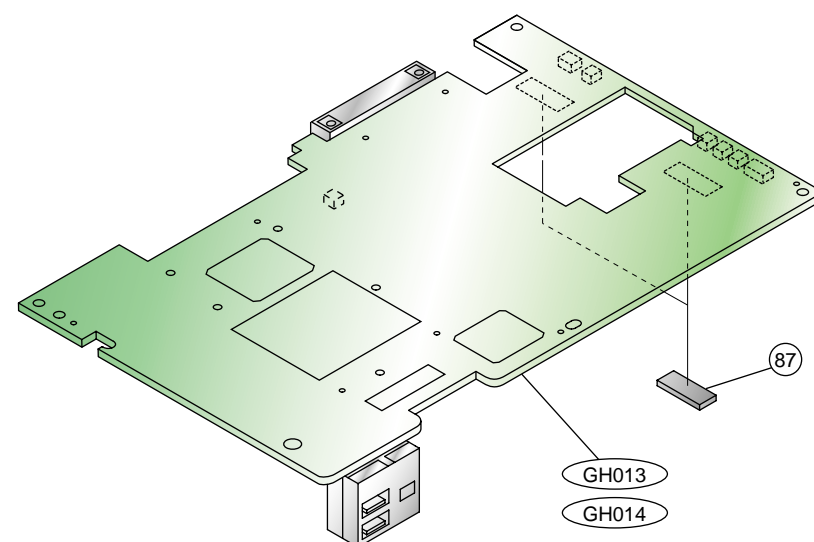
The components identified by mark \triangle or dotted line with mark \triangle are critical for safety. Replace only with part number specified.

CAUTION :
Use of controls or adjustments or performance of procedures other than those specified herein may result in hazardous radiation exposure.

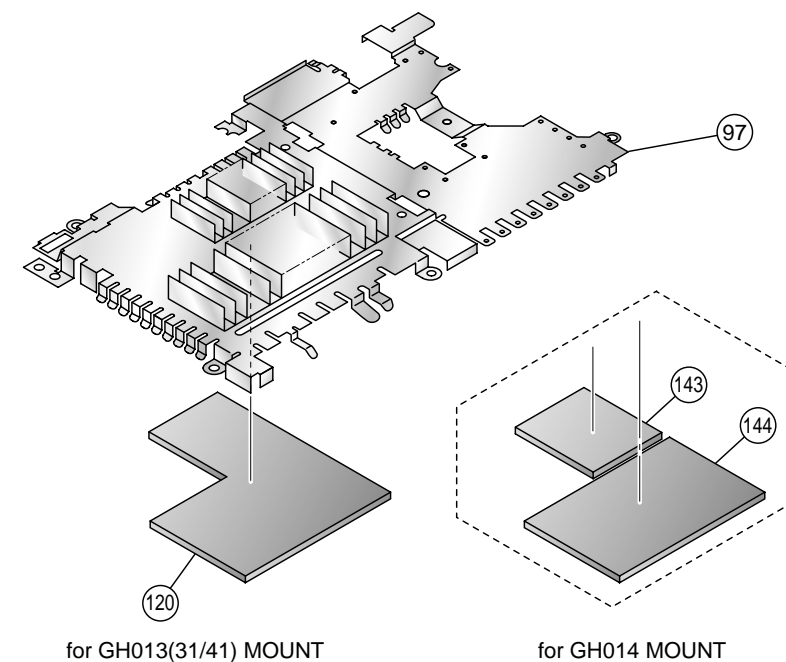
MD BLOCK

Ref-No.	Part No.	Description	Remark	Place code
2	1-763-700-12	MOTOR, DC (SPINDLE)		#10SP
2	8-835-733-02	MOTOR, DC SSC28C/C-NP (SPINDLE)		#10SP
3	1-763-639-21	MOTOR, DC		#10
5	3-059-845-01	SCREW (B2X6.5), SHAFT RETAINER		#10
7	X-3951-637-1	FRAME ASSY, SUB		#10
8	3-065-277-01	INSULATOR		#10
9	3-065-276-01	SCREW, STEP		#10
10	X-3951-606-1	CHASSIS ASSY, MAIN		#10
13	3-059-854-02	SHAFT, MAIN		#10
14	3-059-855-02	RACK		#10
16	3-060-399-01	SCREW, SKEW		#10
17	3-060-400-01	TAPPING (B2X6.5)		#10
22	3-062-728-01	0 PLATE 3, MAIN M2X3.2		#10
\triangle 23	8-820-141-29	DEVICE, OPICAL KHS-400B		#10OP
26	X-3951-607-2	CHASSIS ASSY, SUB		#10
27	X-3951-609-2	BRACKET ASSY, PULLEY		#10
28	X-3951-608-2	TRAY ASSY		#10TR
30	X-3951-610-4	FRAME ASSY, MAIN		#10
31	1-680-370-12	PWB, FLEXIBLE		#10
32	3-068-075-02	SCREW (SUB), STEP		#10
33	3-065-278-02	CAM, TILT		#10
34	3-068-076-01	SPRING (TILT), LEAF		#10
35	3-065-282-01	GUIDE (L)		#10
36	3-065-283-01	GUIDE (R)		#10
37	3-065-557-01	SCREW (M2X6.0)		#10
41	3-065-279-02	SCREW, CAM RETAINER		#10

GH Mount Block



Shield (A) Assy Block



GH MOUNT BLOCK

Ref-No.	Part No.	Description	Remark	Place code
87	3-068-806-01	SHEET (DRIVER), ELECTRIC HEAT		#25GH
GH013	A-6714-489-A	GH-013(31/41) MOUNT (R64M)	for SCPH-30001 R	#25GH
GH013	A-6714-493-A	GH-013(31/41) MOUNT (R64M HV)	for SCPH-30001 R	#25GH
GH013	A-6714-490-A	GH-013(31/41) MOUNT (R64M)	for SCPH-30002 R	#25GH
GH013	A-6714-491-A	GH-013(31/41) MOUNT (R64M)	for SCPH-30003 R/-30004 R	#25GH
GH014	A-6714-495-A	GH-014 MOUNT (R64M)	for SCPH-30003 R/-30004 R	#25GH

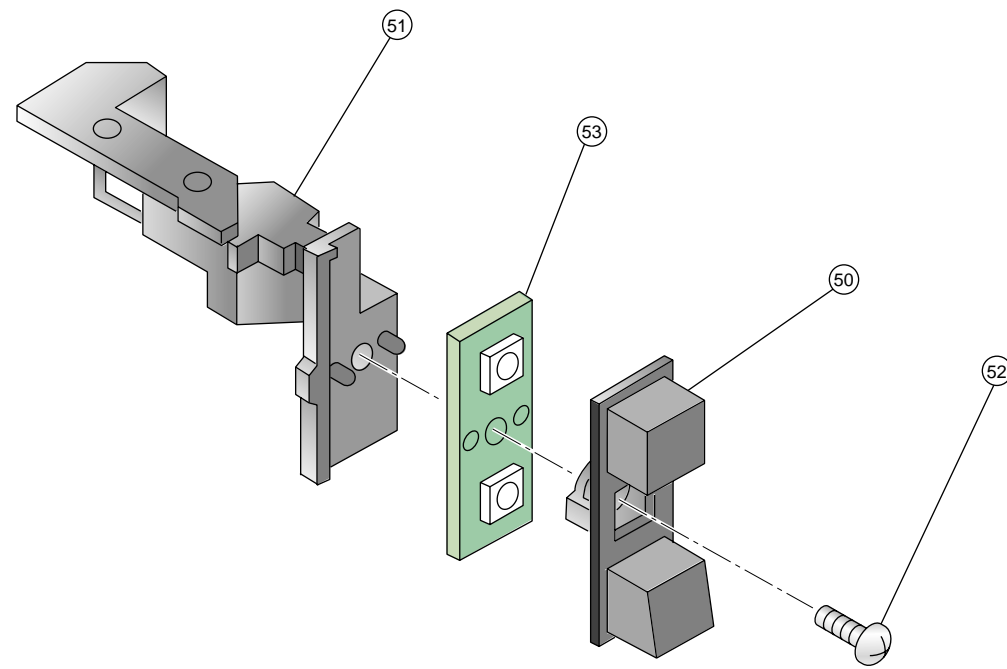
SHIELD (A) ASSY BLOCK

Ref-No.	Part No.	Description	Remark	Place code
97	X-3951-707-2	SHIELD (A) ASSY		#87
120	3-059-652-01	SHEET (A), ELECTRIC HEAT	for GH013(31/41) MOUNT	#16
143	3-066-277-01	SHEET (P), ELECTRIC HEAT	for GH014 MOUNT	#16
144	3-066-278-01	SHEET (Q), ELECTRIC HEAT	for GH014 MOUNT	#16

Switch Assy Block

 SWITCH ASSY BLOCK

A-6705-426-A SW-365 SWITCH ASSY BLOCK for GH013(31/41) MOUNT
 A-6705-401-A SW-366 SWITCH ASSY BLOCK for GH014 MOUNT



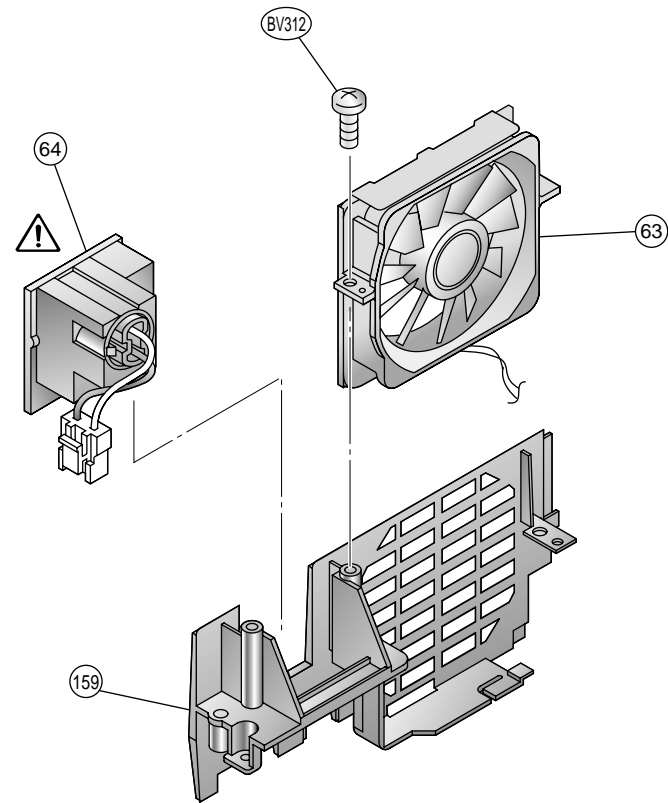
<u>Ref-No.</u>	<u>Part No.</u>	<u>Description</u>	<u>Remark</u>	<u>Place code</u>
50	3-059-665-03	BUTTON, SWITCH		#25SW
51	3-059-666-05	BRACKET, SWITCH		#25SW
51	3-066-494-01	BRACKET, SWITCH		#25SW
52	7-685-105-11	TPG +P 2X8, TYPE 2, NON-SLIT		#25SW
53	A-6714-472-A	SW-365 MOUNT	for GH013(31/41) MOUNT	#25SW
53	A-6712-983-A	SW-366 MOUNT	for GH014 MOUNT	#25SW

CAUTION

The components identified by mark \triangle or dotted line with mark \triangle are critical for safety. Replace only with part number specified.

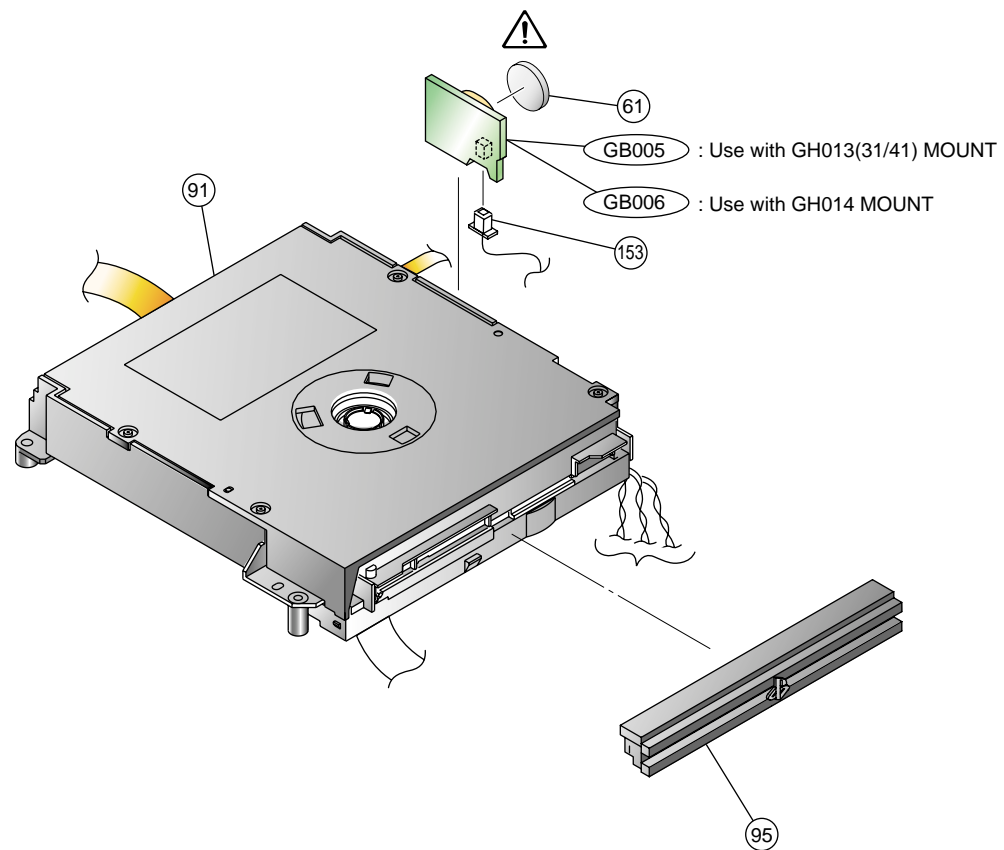
CAUTION :
Use of controls or adjustments or performance of procedures other than those specified herein may result in hazardous radiation exposure.

Power Switch, Fan and Rear Panel Assy Block



Ref-No.	Part No.	Description	Remark	Place code
63	1-763-480-23	DC. FAN		#74
63	1-763-554-22	FAN, DC		#74
63	1-763-756-11	FAN, DC		#74
\triangle 64	1-771-994-31	SWITCH, POWER (WITH AC INLET)	for SCPH-30001 R	#00
\triangle 64	1-771-995-31	SWITCH, POWER (WITH AC INLET)	for SCPH-30002 R/-30003 R/-30004 R	#00
\triangle 64	1-786-209-21	SWITCH, POWER (AC INLET)	for SCPH-30002 R/-30003 R/-30004 R	#00
159	3-068-676-02	PANEL, REAR	for SCPH-30001 R	#87
159	3-068-676-12	PANEL, REAR	for SCPH-30002 R/-30003 R/-30004 R	#87
BV312	3-325-679-21	SCREW, TAPPING +BV 3X12		#87

MD, GB Mount and Plate Assy Block



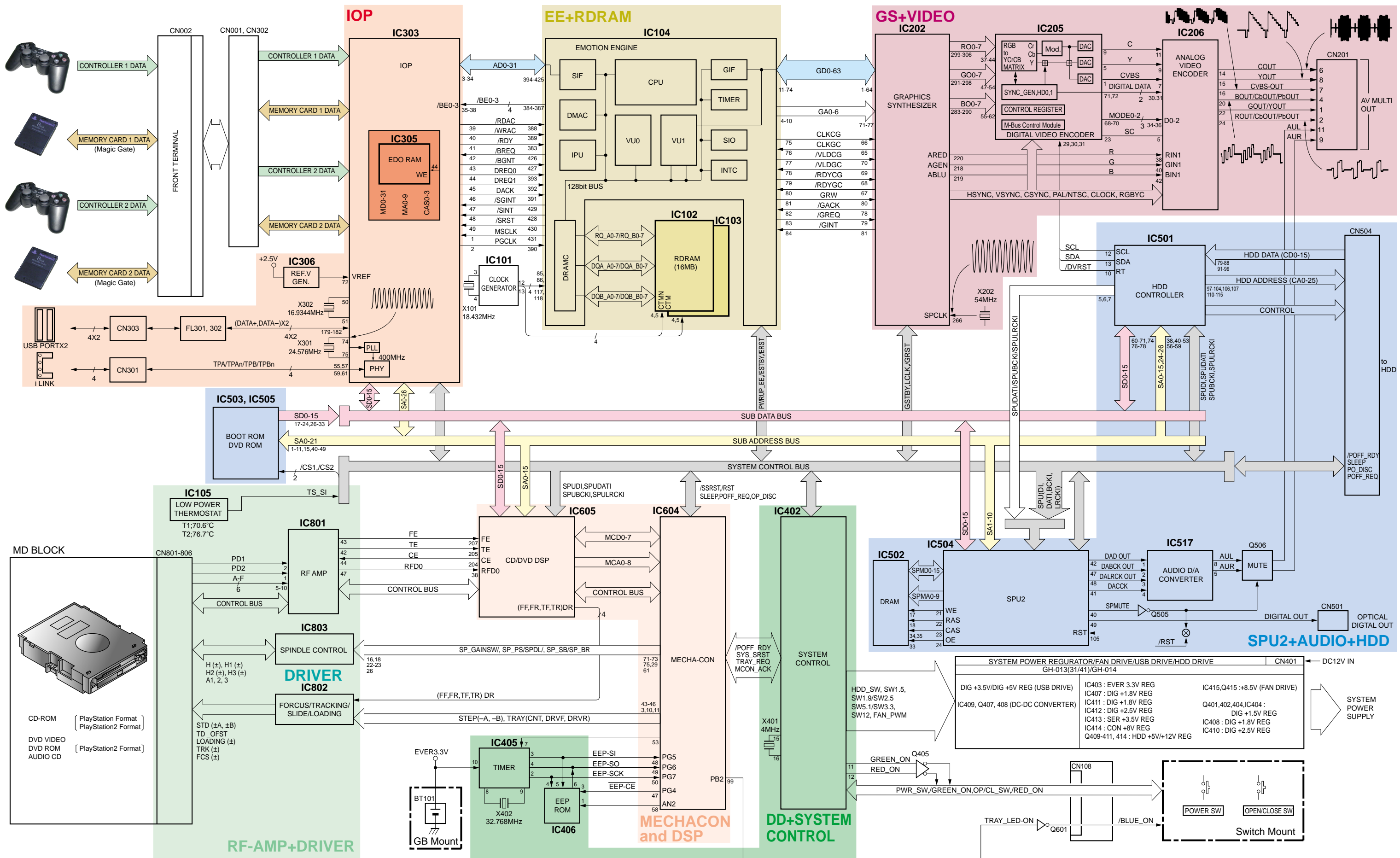
CAUTION

The components identified by mark \triangle or dotted line with mark. \triangle are critical for safety. Replace only with part number specified.

CAUTION :
Use of controls or adjustments or performance of procedures other than those specified herein may result in hazardous radiation exposure.

Ref-No.	Part No.	Description	Remark	Place code
\triangle 61	1-528-174-41	BATTERY, LITHIUM (CR2032 TYPE)		#25GB
91	A-6705-342-A	MD BLOCK ASSY	for SCPH-30002 R/-30003 R/-30004 R	#10
91	A-6705-398-A	MD BLOCK ASSY	for SCPH-30001 R	#10
95	X-3951-099-1	PLATE ASSY, ORNAMENTAL		#87
153	1-961-160-21	HARNESS (HS-059)		#12
GB005	A-6714-473-A	GB-005 MOUNT		#25GB
			Use with GH013(31/41) MOUNT on SCPH-30001 R/-30002 R/-30003 R/-30004 R	
GB006	A-6712-984-A	GB-006 MOUNT		#25GB
			Use with GH014 MOUNT on SCPH-30003 R/-30004 R	

SECTION 5 BLOCK DIAGRAM



SECTION 6

PRINTED WIRING BOARDS AND SCHEMATIC DIAGRAMS for GH013(31/41) MOUNT

THIS NOTE IS COMMON FOR PRINTED WIRING BOARDS AND SCHEMATIC DIAGRAMS.

Note on Printed Wiring Boards :

- ¥ Through hole is omitted.
- ¥ : Pattern on the side which is seen.

Note on Schematic Diagram :

- ¥ Use caution when replacing chip parts.
New parts must be attached after removal of chip.
Be careful not to heat the minus side of tantalum capacitor, because it is damaged by the heat.
- ¥ All capacitors are in F unless otherwise noted. pF : F 50 WV or less are not indicated except for electrolytics and tantalums.
- ¥ All resistors are in Ω and 1/4 W (Chip resistors : 1/10W) unless otherwise specified.
- ¥ Chip resistors are 1/8 W or 1/10 W unless otherwise noted.
k Ω : 1000 Ω , M Ω : 1000 k Ω .

Note :

The components identified by mark \triangle or dotted line with mark \triangle are critical for safety. Replace only with part number specified.

Note :

Les composants identifiés par une marque \triangle sont critiques pour la sécurité. Ne les remplacer que par une pièce portant le numéro spécifié.

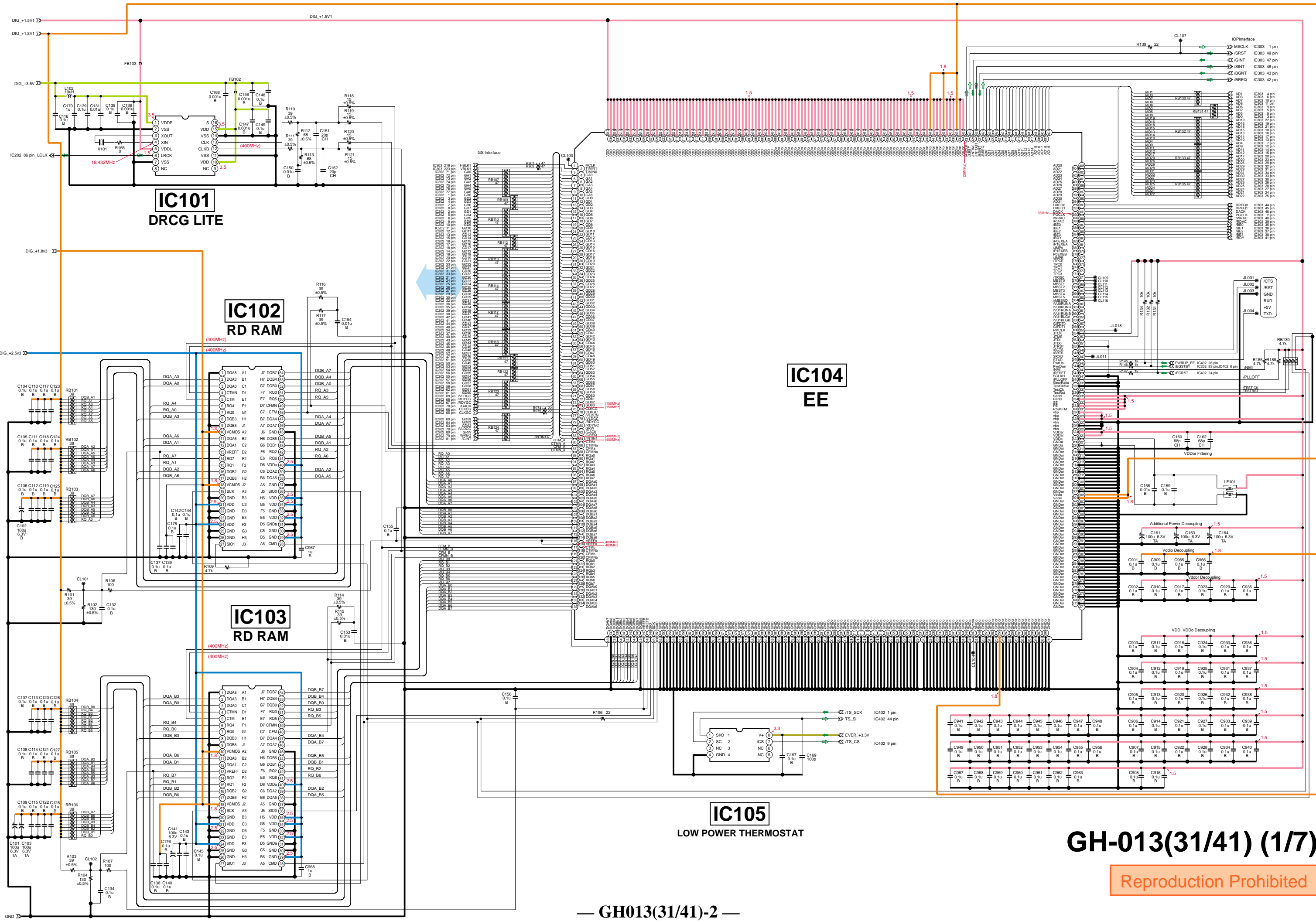
Note on DC Power line :

Unit of voltage is V (volt)

- | | |
|----------|----------|
| ¥+12V : | ¥+3.3V : |
| ¥+8.0V : | ¥+2.5V : |
| ¥+5.0V : | ¥+1.8V : |
| ¥+3.5V : | ¥VC : |
| | ¥+1.5V : |

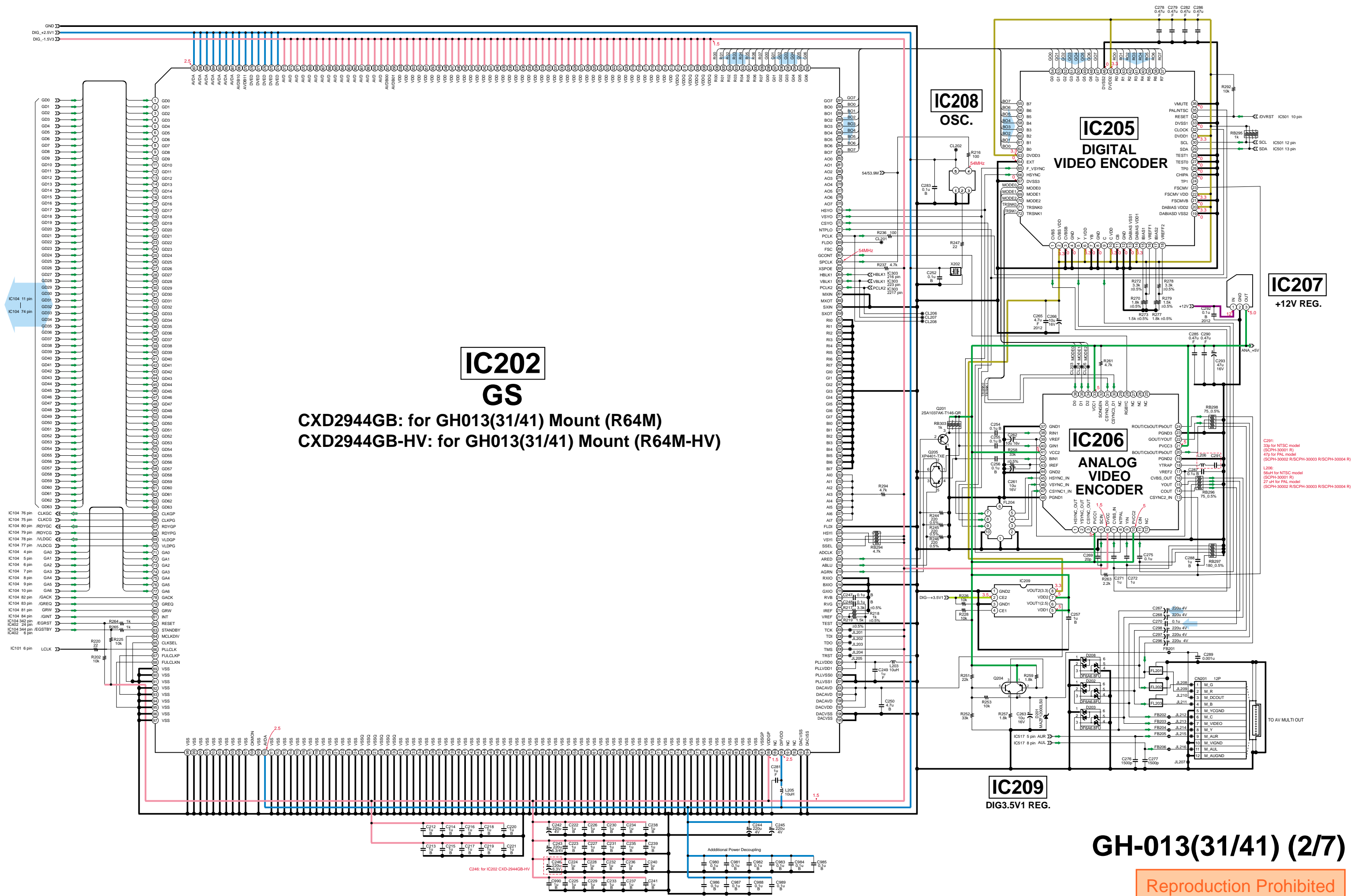
- ¥IN :
- ¥OUT :

- ¥Main Signal Line :



GH-013(31/41) (1/7)

Reproduction Prohibited



**IC202
GS**

CXD2944GB: for GH013(31/41) Mount (R64M)
 CXD2944GB-HV: for GH013(31/41) Mount (R64M-HV)

**IC205
DIGITAL
VIDEO ENCODER**

**IC206
ANALOG
VIDEO ENCODER**

**IC208
OSC.**

**IC209
DIG3.5V1 REG.**

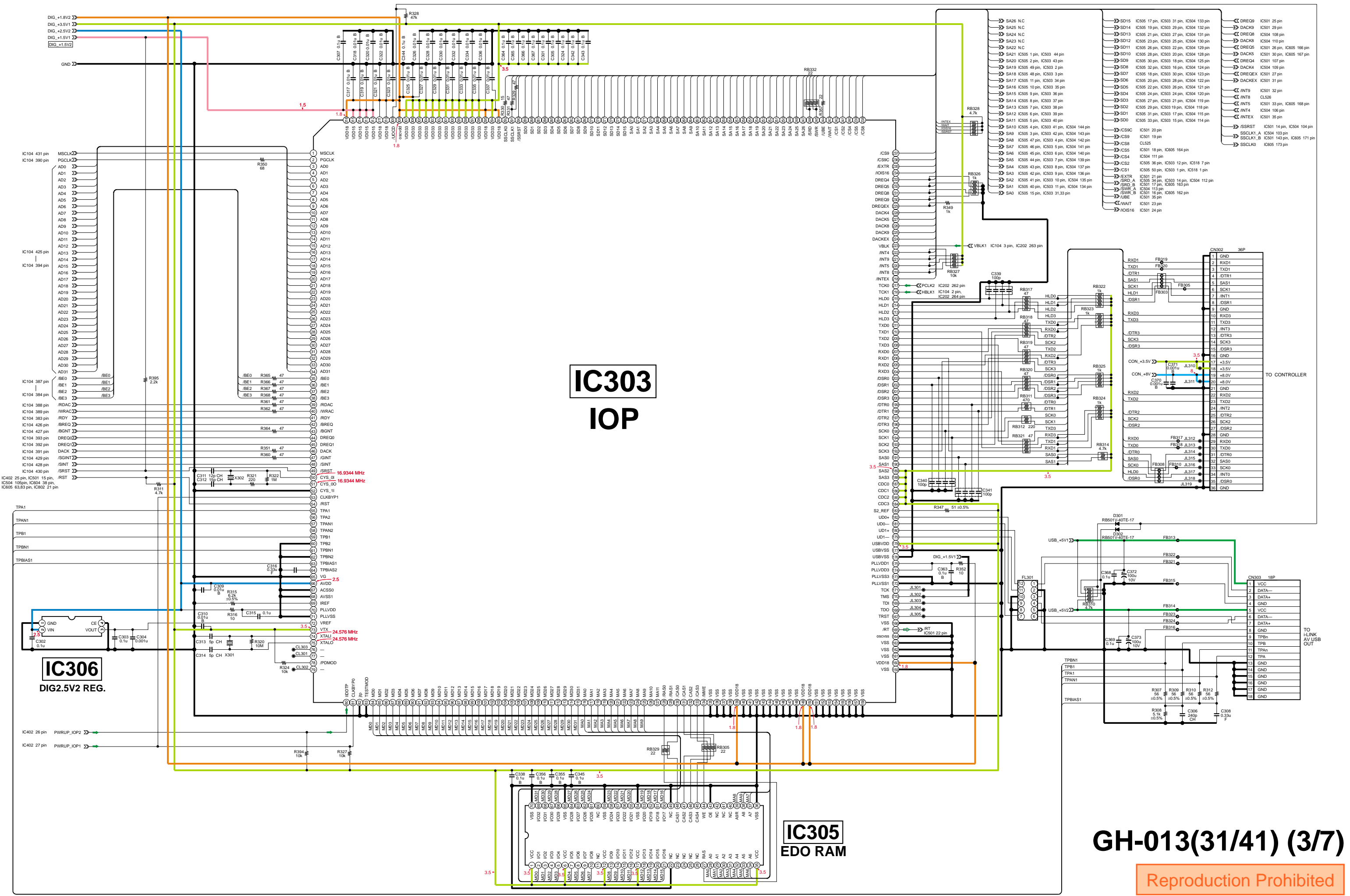
**IC207
+12V REG.**

- IC104 76 pin CLKGC
- IC104 75 pin CLKGC
- IC104 80 pin /RDYGC
- IC104 79 pin /RDYGC
- IC104 79 pin /ALDGC
- IC104 4 pin GA0
- IC104 5 pin GA1
- IC104 6 pin GA2
- IC104 7 pin GA3
- IC104 8 pin GA4
- IC104 9 pin GA5
- IC104 10 pin GA6
- IC104 82 pin /GACK
- IC104 83 pin /GREQ
- IC104 81 pin GRW
- IC104 84 pin /GINT
- IC104 345 pin /EGRST
- IC402 24 pin /EGSTBY
- IC101 6 pin LCLK

C291: 33p for NTSC model (SCPH-3000 R) 47p for PAL model (SCPH-3000 R/SCPH-3000 R/SCPH-3000 R)
 L206: 56uH for NTSC model (SCPH-3000 R) 47uH for PAL model (SCPH-3000 R/SCPH-3000 R/SCPH-3000 R)

GH-013(31/41) (2/7)

Reproduction Prohibited



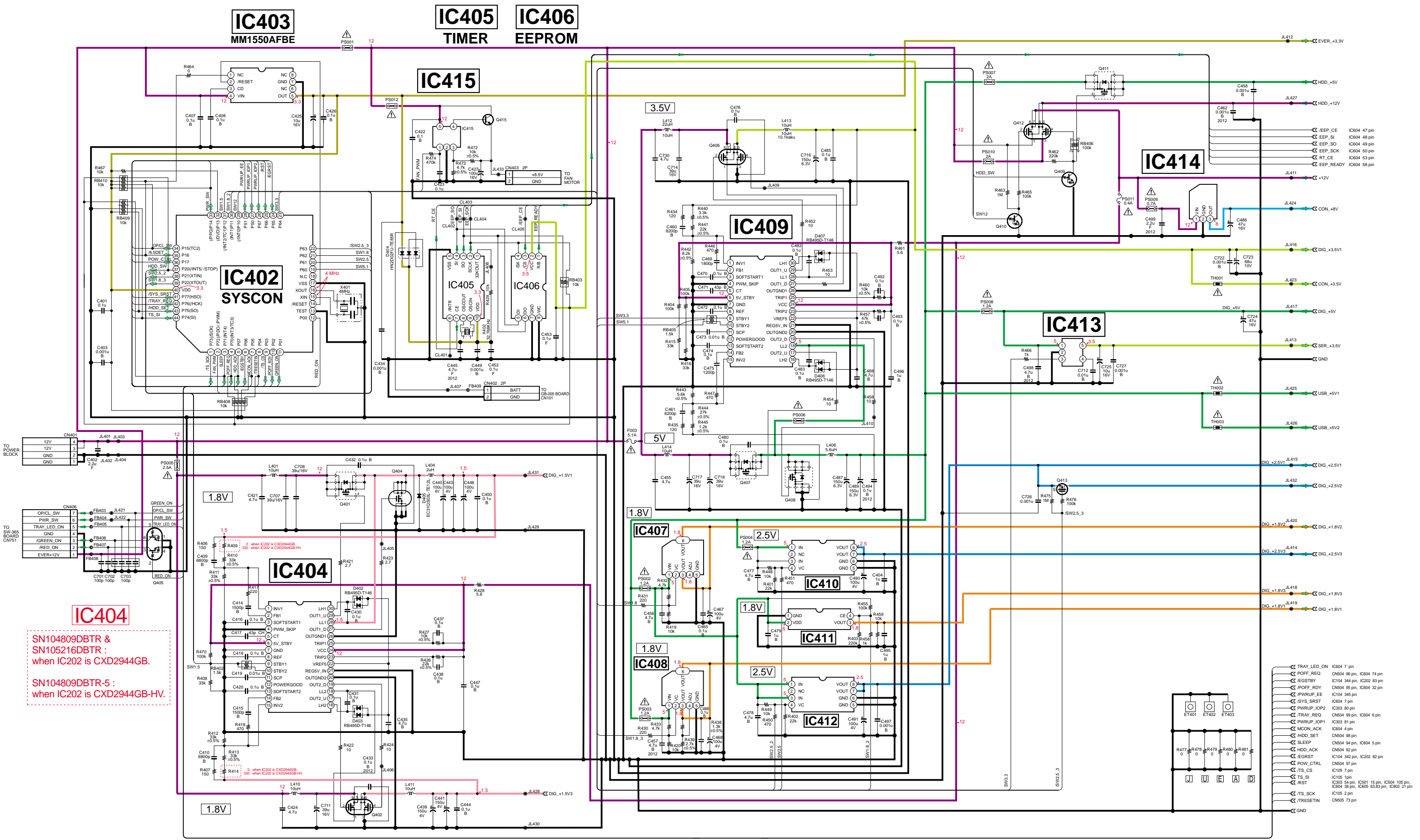
IC303
IOP

IC306
DIG2.5V2 REG.

IC305
EDO RAM

GH-013(31/41) (3/7)

Reproduction Prohibited



GH-013(31/41) (4/7)

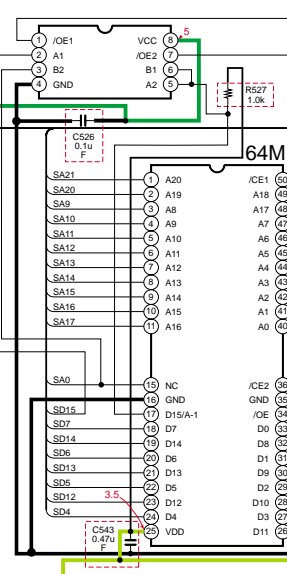
Reproduction Prohibited

IC505, IC518, C526, C543, R527:
for GH013(31/41) Mount (R64M)
on SCPH-30002 R/30003 R/30004 R

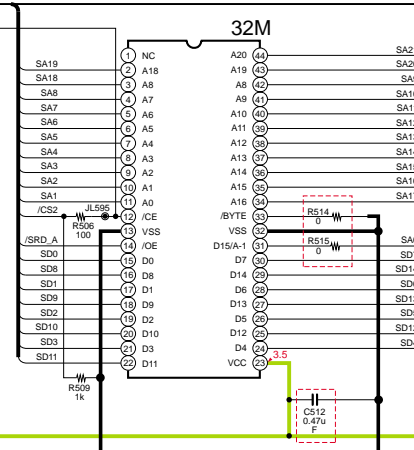
IC503, R514, R515, C512:
for GH013(31/41) Mount (R64M) and (R64M-HV)
on SCPH-30001 R

- IC303 239 pin, IC605 164 pin /CS\overline{S}
- IC303 220 pin, IC605 168 pin /INT\overline{S}
- IC303 232 pin, IC605 169 pin DREQ\overline{S}
- IC303 227 pin, IC303 237 pin /CS\overline{S}
- IC303 221 pin /INT\overline{S}
- IC303 230 pin DREQ\overline{S}
- IC303 225 pin DAC\overline{S}
- IC303 240 pin /CS\overline{S}
- IC303 222 pin /INT\overline{S}
- IC303 233 pin DREQ\overline{S}
- IC303 228 pin DAC\overline{S}
- IC303 243 pin /WAIT\overline{S}
- IC303 165 pin /RT\overline{S}
- IC303 231 pin DREQ\overline{S}
- IC303 226 pin DAC\overline{S}
- IC303 242 pin /CS\overline{S}
- IC303 241 pin /CS\overline{S}
- IC303 235 pin /EXTR\overline{S}
- IC303 218 pin /INT\overline{S}
- IC303 236 pin /CS\overline{S}
- IC303 234 pin /IOIS16\overline{S}
- IC303 244 pin /A\overline{S}
- IC303 224 pin DAC\overline{S}
- IC303 229 pin DREQ\overline{S}
- IC303 257 pin SA16\overline{S}
- IC303 256 pin SA17\overline{S}
- IC303 255 pin SA18\overline{S}
- IC303 254 pin SA19\overline{S}
- IC303 253 pin SA20\overline{S}
- IC303 252 pin SA21\overline{S}
- IC303 251 pin SA22\overline{S}
- IC303 250 pin SA23\overline{S}
- IC303 249 pin SA24\overline{S}
- IC303 248 pin SA25\overline{S}
- IC303 247 pin SA26\overline{S}
- IC303 292 pin, IC605 171 pin SSCLK\overline{S}
- IC303 238 pin /CS\overline{S}
- IC303 219 pin /INT\overline{S}

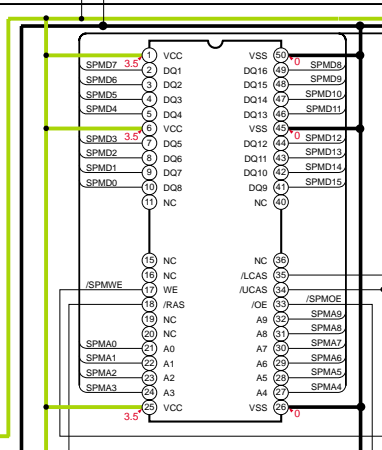
IC518



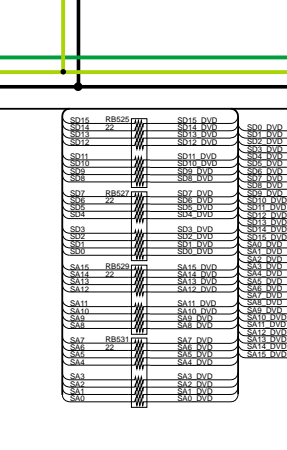
IC503 BOOT ROM



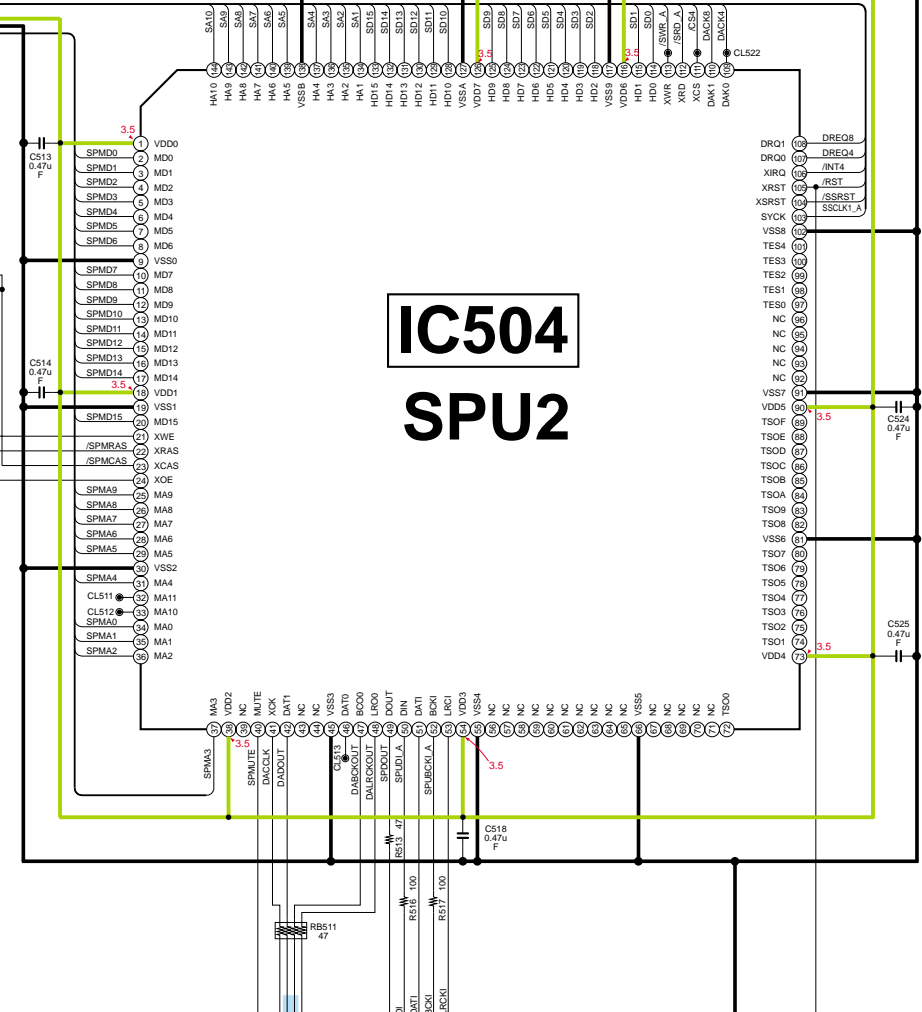
IC502 DRAM



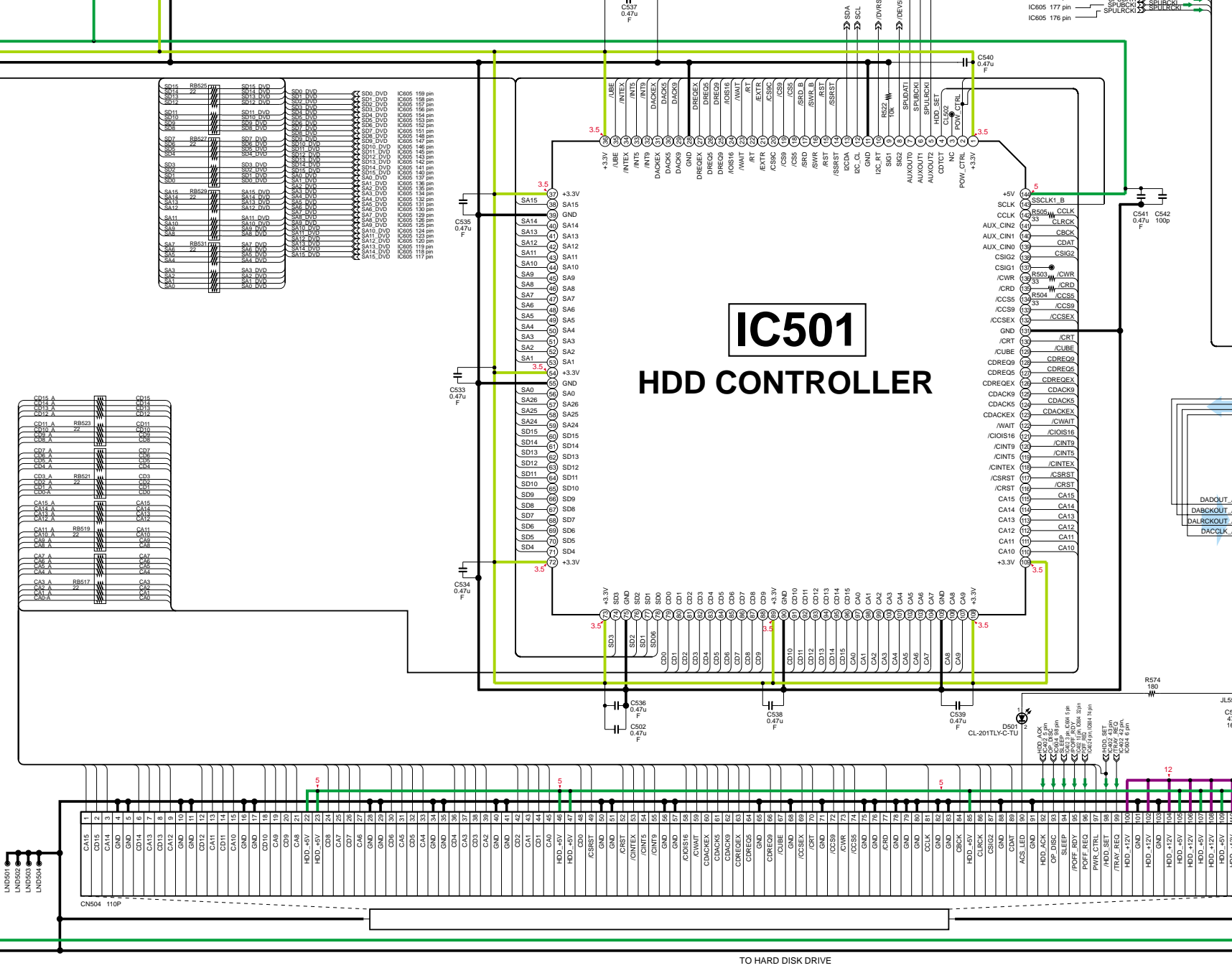
IC505 BOOT+DVD ROM



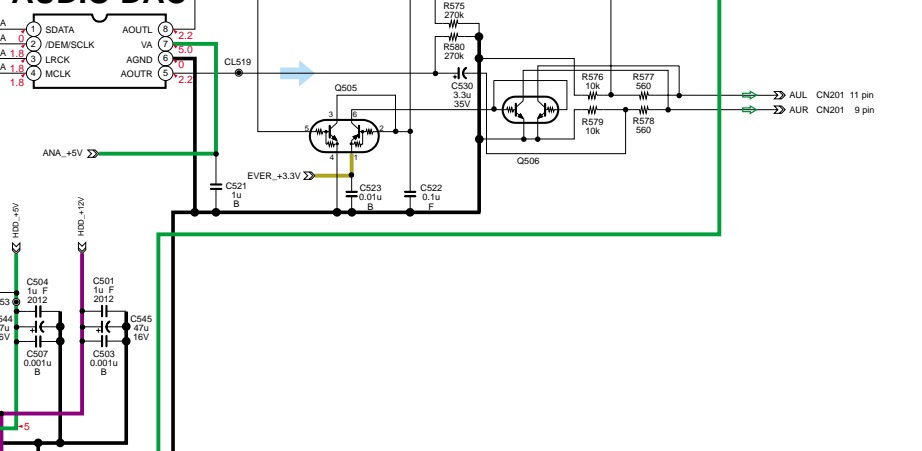
IC504 SPU2



IC501 HDD CONTROLLER

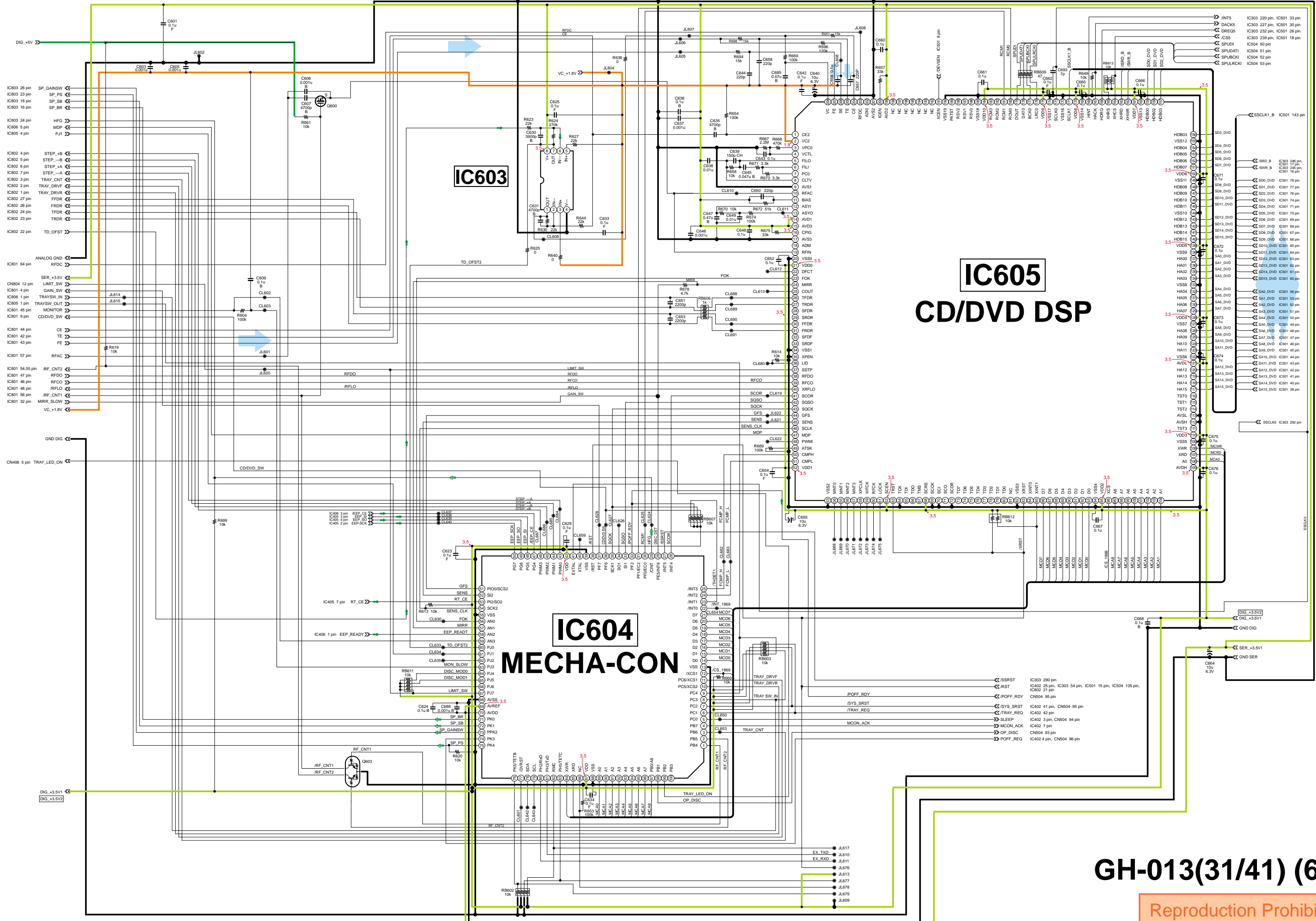


IC517 AUDIO DAC



GH-013(31/41) (5/7)

Reproduction Prohibited



IC603

IC605
CD/DVD DSP

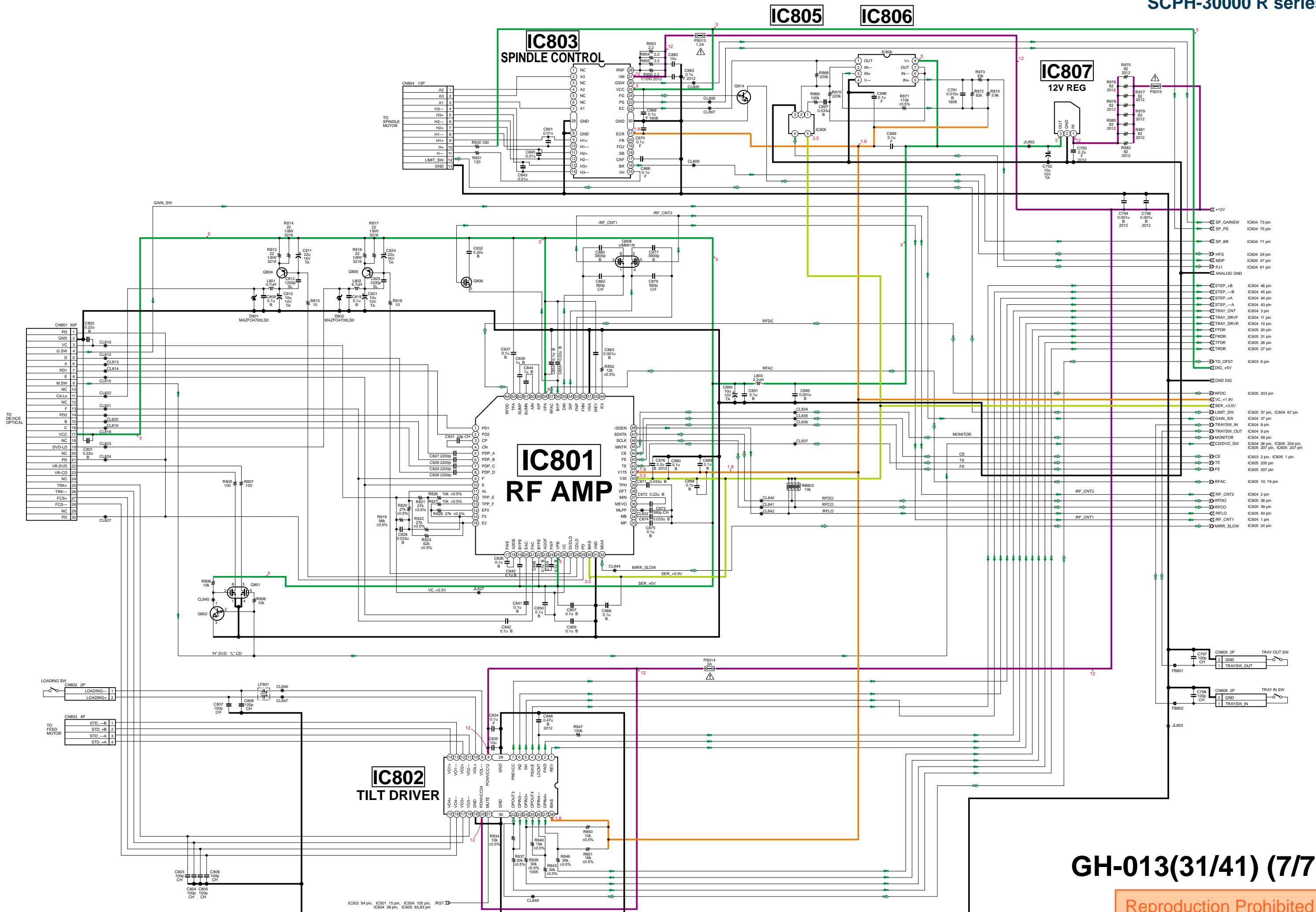
IC604
MECHA-CON

- INT5 IC303 220 pin, IC501 33 pin
- DACK5 IC303 227 pin, IC501 30 pin
- DREQ5 IC303 232 pin, IC501 26 pin
- CS5 IC303 239 pin, IC501 18 pin
- SPUD1 IC504 50 pin
- SPUDAT1 IC504 51 pin
- SPUBDQ1 IC504 52 pin
- SPULACK1 IC504 53 pin

- SSCLK1_B IC501 143 pin
- SD3_DVD IC201 248 pin
- SD4_DVD IC201 249 pin
- SD5_DVD IC201 250 pin
- SD6_DVD IC201 251 pin
- SD7_DVD IC201 252 pin
- SD8_DVD IC201 253 pin
- SD9_DVD IC201 254 pin
- SD10_DVD IC201 255 pin
- SD11_DVD IC201 256 pin
- SD12_DVD IC201 257 pin
- SD13_DVD IC201 258 pin
- SD14_DVD IC201 259 pin
- SD15_DVD IC201 260 pin
- SD16_DVD IC201 261 pin
- SD17_DVD IC201 262 pin
- SD18_DVD IC201 263 pin
- SD19_DVD IC201 264 pin
- SD20_DVD IC201 265 pin
- SD21_DVD IC201 266 pin
- SD22_DVD IC201 267 pin
- SD23_DVD IC201 268 pin
- SD24_DVD IC201 269 pin
- SD25_DVD IC201 270 pin
- SD26_DVD IC201 271 pin
- SD27_DVD IC201 272 pin
- SD28_DVD IC201 273 pin
- SD29_DVD IC201 274 pin
- SD30_DVD IC201 275 pin
- SD31_DVD IC201 276 pin
- SD32_DVD IC201 277 pin
- SD33_DVD IC201 278 pin
- SD34_DVD IC201 279 pin
- SD35_DVD IC201 280 pin
- SD36_DVD IC201 281 pin
- SD37_DVD IC201 282 pin
- SD38_DVD IC201 283 pin
- SD39_DVD IC201 284 pin
- SD40_DVD IC201 285 pin
- SD41_DVD IC201 286 pin
- SD42_DVD IC201 287 pin
- SD43_DVD IC201 288 pin
- SD44_DVD IC201 289 pin
- SD45_DVD IC201 290 pin
- SD46_DVD IC201 291 pin
- SD47_DVD IC201 292 pin
- SD48_DVD IC201 293 pin
- SD49_DVD IC201 294 pin
- SD50_DVD IC201 295 pin
- SD51_DVD IC201 296 pin
- SD52_DVD IC201 297 pin
- SD53_DVD IC201 298 pin
- SD54_DVD IC201 299 pin
- SD55_DVD IC201 300 pin
- SD56_DVD IC201 301 pin
- SD57_DVD IC201 302 pin
- SD58_DVD IC201 303 pin
- SD59_DVD IC201 304 pin
- SD60_DVD IC201 305 pin
- SD61_DVD IC201 306 pin
- SD62_DVD IC201 307 pin
- SD63_DVD IC201 308 pin
- SD64_DVD IC201 309 pin
- SD65_DVD IC201 310 pin
- SD66_DVD IC201 311 pin
- SD67_DVD IC201 312 pin
- SD68_DVD IC201 313 pin
- SD69_DVD IC201 314 pin
- SD70_DVD IC201 315 pin
- SD71_DVD IC201 316 pin
- SD72_DVD IC201 317 pin
- SD73_DVD IC201 318 pin
- SD74_DVD IC201 319 pin
- SD75_DVD IC201 320 pin
- SD76_DVD IC201 321 pin
- SD77_DVD IC201 322 pin
- SD78_DVD IC201 323 pin
- SD79_DVD IC201 324 pin
- SD80_DVD IC201 325 pin
- SD81_DVD IC201 326 pin
- SD82_DVD IC201 327 pin
- SD83_DVD IC201 328 pin
- SD84_DVD IC201 329 pin
- SD85_DVD IC201 330 pin
- SD86_DVD IC201 331 pin
- SD87_DVD IC201 332 pin
- SD88_DVD IC201 333 pin
- SD89_DVD IC201 334 pin
- SD90_DVD IC201 335 pin
- SD91_DVD IC201 336 pin
- SD92_DVD IC201 337 pin
- SD93_DVD IC201 338 pin
- SD94_DVD IC201 339 pin
- SD95_DVD IC201 340 pin
- SD96_DVD IC201 341 pin
- SD97_DVD IC201 342 pin
- SD98_DVD IC201 343 pin
- SD99_DVD IC201 344 pin
- SD100_DVD IC201 345 pin

GH-013(31/41) (6/7)

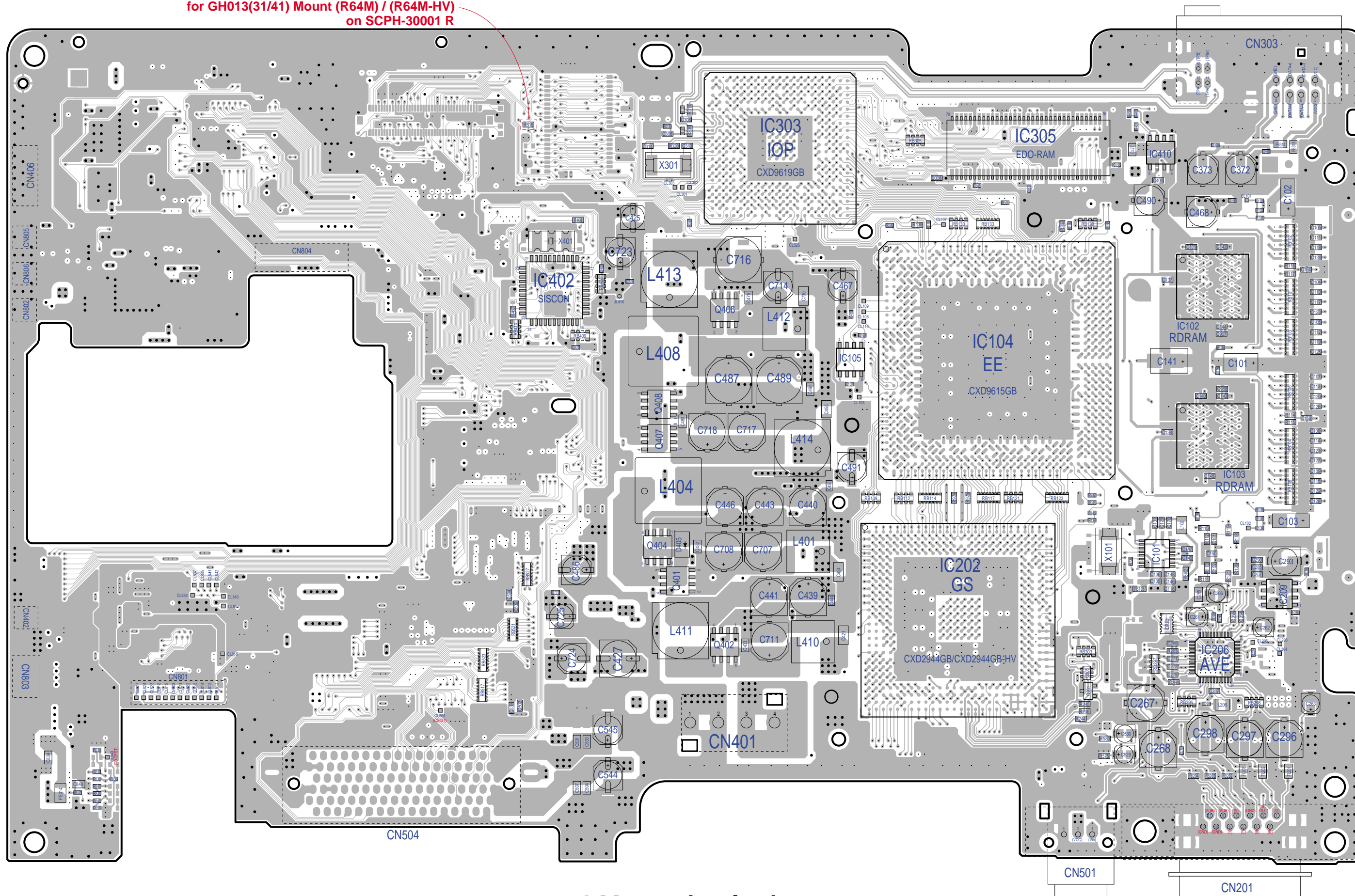
Reproduction Prohibited



GH-013(31/41) (7/7)

Reproduction Prohibited

for GH013(31/41) Mount (R64M) / (R64M-HV)
on SCPH-30001 R



GH-013(31/41)

A side

— GH013(31/41)-9 —

Reproduction Prohibited

ELECTRICAL PARTS LIST for GH013(31/41) MOUNT

NOTE :

- Due to standardization, replacements in the parts list may be different from the parts specified in the diagrams or the components used on the set.
- -XX and -X mean standardized parts, so they may have some difference from the original one.
- RESISTORS
METAL : Metal-film resistor.
F : nonflammable
Unit is Ω.

- SEMICONDUCTORS
In each case, u : μ, for example :
uA . . : μA . . uPA . . : μPA . .
uPB . . : μPB . . uPC . . : μPC . . uPD . . : μPD . .
- CAPACITORS
uF : μF
- COILS
uH : μH

The components identified by mark \triangle or dotted line with mark. \triangle are critical for safety. Replace only with part number specified.

Dissimilarity Parts Lis for GH013(31/41) MOUNT on SCPH-30000 R series

Ref.	Part No.	Description	Remarks
A-6714-489-A GH013(31/41) MOUNT (R64M) on SCPH-30001 R			
IC604	8-752-925-45	IC CXP102064-104R-T6	MECHACON
IC503	6-800-926-01	IC K3NSV108RB-TC1AT00	BOOT+DVD-ROM
R514	1-216-864-91	CONDUCTOR, CHIP	(1608)
R515	1-216-864-91	CONDUCTOR, CHIP	(1608)
C512	1-113-619-91	CAP, CERAMIC 470000PF F	(1608)
IC202	8-759-699-08	IC CXD2944GB	GS
C243	1-135-609-91	CAP, CHIP TANTALUM ELECT 220MF	
IC404	8-759-689-89	IC SN104809DBTR	
IC404	6-700-664-01	IC SN105216DBTR	
R409	1-216-864-91	CONDUCTOR, CHIP	(1608)
R414	1-216-864-91	CONDUCTOR, CHIP	(1608)
C291	1-164-862-81	CAP, CHIP CERAMIC 33PF CH (1005)	
L206	1-412-960-21	INDUCTOR, SMALL TYPE 56UH 2518	
R478	1-216-864-91	CONDUCTOR, CHIP	(1608) Marks for US model

Ref.	Part No.	Description	Remarks
A-6714-490-A GH013(31/41) MOUNT (R64M) on SCPH-30002 R			
IC604	8-752-922-01	IC CXP102064-303R-T6	MECHACON
IC505	6-800-905-01	IC TC5364200FT-PA09	BOOT+DVD-ROM
IC518	8-759-680-49	IC TC7WB125FK(TE85R)	
C526	1-164-156-91	CAP, CHIP CERAMIC 0.1MF F (1608)	
C543	1-113-619-91	CAP, CERAMIC 470000PF F (1608)	
R527	1-216-821-91	RES, CHIP 1.0K (1608)	
IC202	8-759-699-08	IC CXD2944GB	GS
C243	1-135-609-91	CAP, CHIP TANTALUM ELECT 220MF	
IC404	8-759-689-89	IC SN104809DBTR	
IC404	6-700-664-01	IC SN105216DBTR	
R409	1-216-864-91	CONDUCTOR, CHIP	(1608)
R414	1-216-864-91	CONDUCTOR, CHIP	(1608)
C291	1-164-866-81	CAP, CHIP CERAMIC 47PF CH (1005)	
L206	1-412-956-21	INDUCTOR, SMALL TYPE 27UH 2518	
R480	1-216-864-91	CONDUCTOR, CHIP	(1608) Marks for AU3 model

Ref.	Part No.	Description	Remarks
A-6714-491-A GH013(31/41) MOUNT (R64M) on SCPH-30003 R/-30004 R			
IC604	8-752-924-75	IC CXP102064-203R-T6	MECHACON
IC505	6-800-367-01	IC TC5364200FT-PA08	BOOT+DVD-ROM
IC518	8-759-680-49	IC TC7WB125FK(TE85R)	
C526	1-164-156-91	CAP, CHIP CERAMIC 0.1MF F (1608)	
C543	1-113-619-91	CAP, CERAMIC 470000PF F (1608)	
R527	1-216-821-91	RES, CHIP 1.0K (1608)	
IC202	8-759-699-08	IC CXD2944GB	GS
C243	1-135-609-91	CAP, CHIP TANTALUM ELECT 220MF	
IC404	8-759-689-89	IC SN104809DBTR	
IC404	6-700-664-01	IC SN105216DBTR	
R409	1-216-864-91	CONDUCTOR, CHIP	(1608)
R414	1-216-864-91	CONDUCTOR, CHIP	(1608)
C291	1-164-866-81	CAP, CHIP CERAMIC 47PF CH (1005)	
L206	1-412-956-21	INDUCTOR, SMALL TYPE 27UH 2518	
R479	1-216-864-91	CONDUCTOR, CHIP	(1608) Marks for US model

Ref.	Part No.	Description	Remarks
A-6714-493-A GH013(31/41) MOUNT (R64M-HV) on SCPH-30001 R			
IC604	8-752-925-45	IC CXP102064-104R-T6	MECHACON
IC503	6-800-926-01	IC K3NSV108RB-TC1AT00	BOOT+DVD-ROM
R514	1-216-864-91	CONDUCTOR, CHIP	(1608)
R515	1-216-864-91	CONDUCTOR, CHIP	(1608)
C512	1-113-619-91	CAP, CERAMIC 470000PF F (1608)	
IC202	6-700-082-01	IC CXD2944GB-HV	GS
C243	1-128-707-22	CAP, TANTALUM ELECT (SMD)220	
C246	1-128-707-22	CAP, TANTALUM ELECT (SMD)220	
IC404	8-759-837-35	IC SN104809DBTR-05	
R409	1-218-835-91	RES, CHIP 330	(1608)
R414	1-218-835-91	RES, CHIP 330	(1608)
C291	1-164-862-81	CAP, CHIP CERAMIC 33PF CH (1005)	
L206	1-412-960-21	INDUCTOR, SMALL TYPE 56UH 2518	
R478	1-216-864-91	CONDUCTOR, CHIP	(1608) Marks for US model

Common Parts List for GH013(31/41) MOUNT on SCPH-30001 R/-30002 R/-30003 R/-30004 R

Ref.	Part No.	Description	Ref.	Part No.	Description	Ref.	Part No.	Description	Ref.	Part No.	Description
PWB	1-682-770-31	PWB, GH-013(31)	C168	1-162-964-91	CAP,CHIP CERAMIC 1000PF B (1608)	C285	1-113-619-91	CAP, CERAMIC 470000PF F (1608)	C371	1-162-964-91	CAP,CHIP CERAMIC 1000PF B (1608)
PWB	1-682-770-41	PWB, GH-013(41)	C169	1-164-874-81	CAP,CHIP CERAMIC 100PF CH (1005)	C286	1-113-619-91	CAP, CERAMIC 470000PF F (1608)	C372	1-165-492-21	CAP, ELECT 100MF
		<CAPACITOR>	C170	1-125-837-91	CAP, CHIP CERAMIC 1MF B (1608)	C287	1-107-826-91	CAP, CHIP CERAMIC 100000PF B (1608)	C373	1-165-492-21	CAP, ELECT 100MF
C101	1-128-964-91	CAP, CHIP TANTALUM ELECT 100MF	C175	1-125-777-81	CAP, CHIP CERAMIC 0.1MF B (1005)	C288	1-125-837-91	CAP, CHIP CERAMIC 1MF B (1608)	C401	1-125-777-81	CAP, CHIP CERAMIC 0.1MF B (1005)
C102	1-128-964-91	CAP, CHIP TANTALUM ELECT 100MF	C176	1-125-777-81	CAP, CHIP CERAMIC 0.1MF B (1005)	C289	1-162-964-91	CAP,CHIP CERAMIC 1000PF B (1608)	C402	1-164-505-91	CAP, CHIP CERAMIC 2.2MF F (2012)
C103	1-128-964-91	CAP, CHIP TANTALUM ELECT 100MF	C212	1-125-837-91	CAP, CHIP CERAMIC 1MF B (1608)	C290	1-113-619-91	CAP, CERAMIC 470000PF F (1608)	C403	1-164-937-81	CAP, CHIP CERAMIC 1000PF B (1005)
C104	1-107-826-91	CAP, CHIP CERAMIC 100000PF B	C213	1-125-837-91	CAP, CHIP CERAMIC 1MF B (1608)	C292	1-107-725-91	CAP, CERAMIC 100000PF B (2012)	C404	1-125-837-91	CAP, CHIP CERAMIC 1MF B (1608)
C105	1-107-826-91	CAP, CHIP CERAMIC 100000PF B	C214	1-125-837-91	CAP, CHIP CERAMIC 1MF B (1608)	C293	1-137-765-21	CAP, ELECT 47MF	C407	1-107-826-91	CAP, CHIP CERAMIC 100000PF B
C106	1-107-826-91	CAP, CHIP CERAMIC 100000PF B	C215	1-125-837-91	CAP, CHIP CERAMIC 1MF B (1608)	C296	1-126-210-21	CAP, ELECT 220MF	C408	1-107-826-91	CAP, CHIP CERAMIC 100000PF B
C107	1-107-826-91	CAP, CHIP CERAMIC 100000PF B	C216	1-125-837-91	CAP, CHIP CERAMIC 1MF B (1608)	C297	1-126-210-21	CAP, ELECT 220MF	C409	1-162-969-91	CAP, CERAMIC 6800PF B (1608)
C108	1-107-826-91	CAP, CHIP CERAMIC 100000PF B	C217	1-125-837-91	CAP, CHIP CERAMIC 1MF B (1608)	C298	1-126-210-21	CAP, ELECT 220MF	C410	1-162-969-91	CAP, CERAMIC 6800PF B (1608)
C109	1-107-826-91	CAP, CHIP CERAMIC 100000PF B	C218	1-125-837-91	CAP, CHIP CERAMIC 1MF B (1608)	C301	1-107-826-91	CAP, CHIP CERAMIC 100000PF B	C414	1-162-965-91	CAP, CERAMIC 1500PF B (1608)
C110	1-107-826-91	CAP, CHIP CERAMIC 100000PF B	C219	1-125-837-91	CAP, CHIP CERAMIC 1MF B (1608)	C302	1-107-826-91	CAP, CHIP CERAMIC 100000PF B	C415	1-162-965-91	CAP, CERAMIC 1500PF B (1608)
C111	1-107-826-91	CAP, CHIP CERAMIC 100000PF B	C220	1-125-837-91	CAP, CHIP CERAMIC 1MF B (1608)	C303	1-107-826-91	CAP, CHIP CERAMIC 100000PF B	C416	1-107-826-91	CAP, CHIP CERAMIC 100000PF B
C112	1-107-826-91	CAP, CHIP CERAMIC 100000PF B	C221	1-125-837-91	CAP, CHIP CERAMIC 1MF B (1608)	C304	1-162-964-91	CAP,CHIP CERAMIC 1000PF B (1608)	C417	1-164-379-91	CAP, CERAMIC 43PF CH (1608)
C113	1-107-826-91	CAP, CHIP CERAMIC 100000PF B	C222	1-125-837-91	CAP, CHIP CERAMIC 1MF B (1608)	C305	1-107-826-91	CAP, CHIP CERAMIC 100000PF B	C418	1-107-826-91	CAP, CHIP CERAMIC 100000PF B
C114	1-107-826-91	CAP, CHIP CERAMIC 100000PF B	C223	1-125-837-91	CAP, CHIP CERAMIC 1MF B (1608)	C306	1-164-387-91	CAP, CERAMIC 240PF CH (1608)	C419	1-162-970-91	CAP, CERAMIC 10000PF B (1608)
C115	1-107-826-91	CAP, CHIP CERAMIC 100000PF B	C224	1-125-837-91	CAP, CHIP CERAMIC 1MF B (1608)	C307	1-107-826-91	CAP, CHIP CERAMIC 100000PF B	C420	1-107-826-91	CAP, CHIP CERAMIC 100000PF B
C116	1-107-826-91	CAP, CHIP CERAMIC 100000PF B	C225	1-125-837-91	CAP, CHIP CERAMIC 1MF B (1608)	C308	1-165-112-91	CAP, CERAMIC 330000PF F (1608)	C421	1-127-820-91	CAP, SQUARE TYPE CHIP 4.7MF
C117	1-107-826-91	CAP, CHIP CERAMIC 100000PF B	C226	1-125-837-91	CAP, CHIP CERAMIC 1MF B (1608)	C309	1-162-970-91	CAP, CERAMIC 10000PF B (1608)	C422	1-107-826-91	CAP, CHIP CERAMIC 100000PF B
C118	1-107-826-91	CAP, CHIP CERAMIC 100000PF B	C227	1-125-837-91	CAP, CHIP CERAMIC 1MF B (1608)	C310	1-162-970-91	CAP, CERAMIC 10000PF B (1608)	C423	1-107-826-91	CAP, CHIP CERAMIC 100000PF B
C119	1-107-826-91	CAP, CHIP CERAMIC 100000PF B	C228	1-125-837-91	CAP, CHIP CERAMIC 1MF B (1608)	C311	1-162-916-91	CAP, CERAMIC 12PF CH (1608)	C424	1-127-820-91	CAP, SQUARE TYPE CHIP 4.7MF
C120	1-107-826-91	CAP, CHIP CERAMIC 100000PF B	C229	1-125-837-91	CAP, CHIP CERAMIC 1MF B (1608)	C312	1-162-917-91	CAP, CERAMIC 15PF CH (1608)	C425	1-124-779-21	CAP, ELECT 10MF
C121	1-107-826-91	CAP, CHIP CERAMIC 100000PF B	C230	1-125-837-91	CAP, CHIP CERAMIC 1MF B (1608)	C313	1-162-910-91	CAP, CERAMIC 5.0PF CH (1608)	C426	1-107-826-91	CAP, CHIP CERAMIC 100000PF B
C122	1-107-826-91	CAP, CHIP CERAMIC 100000PF B	C231	1-125-837-91	CAP, CHIP CERAMIC 1MF B (1608)	C314	1-162-910-91	CAP, CERAMIC 5.0PF CH (1608)	C427	1-117-681-21	CAP, ELECT 100MF
C123	1-107-826-91	CAP, CHIP CERAMIC 100000PF B	C232	1-125-837-91	CAP, CHIP CERAMIC 1MF B (1608)	C315	1-107-826-91	CAP, CHIP CERAMIC 100000PF B	C430	1-107-826-91	CAP, CHIP CERAMIC 100000PF B
C124	1-107-826-91	CAP, CHIP CERAMIC 100000PF B	C233	1-125-837-91	CAP, CHIP CERAMIC 1MF B (1608)	C316	1-165-112-91	CAP, CERAMIC 330000PF F (1608)	C431	1-107-826-91	CAP, CHIP CERAMIC 100000PF B
C125	1-107-826-91	CAP, CHIP CERAMIC 100000PF B	C234	1-125-837-91	CAP, CHIP CERAMIC 1MF B (1608)	C317	1-162-970-91	CAP, CERAMIC 10000PF B (1608)	C432	1-107-725-91	CAP, CERAMIC 100000PF B (2012)
C126	1-107-826-91	CAP, CHIP CERAMIC 100000PF B	C235	1-125-837-91	CAP, CHIP CERAMIC 1MF B (1608)	C318	1-162-970-91	CAP, CERAMIC 10000PF B (1608)	C433	1-107-725-91	CAP, CERAMIC 100000PF B (2012)
C127	1-107-826-91	CAP, CHIP CERAMIC 100000PF B	C236	1-125-837-91	CAP, CHIP CERAMIC 1MF B (1608)	C319	1-162-970-91	CAP, CERAMIC 10000PF B (1608)	C434	1-162-964-91	CAP,CHIP CERAMIC 1000PF B (1608)
C128	1-107-826-91	CAP, CHIP CERAMIC 100000PF B	C237	1-125-837-91	CAP, CHIP CERAMIC 1MF B (1608)	C320	1-162-970-91	CAP, CERAMIC 10000PF B (1608)	C435	1-115-566-91	CAP, CERAMIC 4.7MF B
C129	1-107-826-91	CAP, CHIP CERAMIC 100000PF B	C238	1-125-837-91	CAP, CHIP CERAMIC 1MF B (1608)	C321	1-162-970-91	CAP, CERAMIC 10000PF B (1608)	C437	1-107-826-91	CAP, CHIP CERAMIC 100000PF B
C131	1-162-970-91	CAP, CERAMIC 10000PF B (1608)	C239	1-125-837-91	CAP, CHIP CERAMIC 1MF B (1608)	C322	1-162-970-91	CAP, CERAMIC 10000PF B (1608)	C438	1-107-826-91	CAP, CHIP CERAMIC 100000PF B
C132	1-125-777-81	CAP, CHIP CERAMIC 0.1MF B (1005)	C240	1-125-837-91	CAP, CHIP CERAMIC 1MF B (1608)	C323	1-162-970-91	CAP, CERAMIC 10000PF B (1608)	C439	1-135-593-21	CAP, ELECT 150MF
C134	1-125-777-81	CAP, CHIP CERAMIC 0.1MF B (1005)	C241	1-125-837-91	CAP, CHIP CERAMIC 1MF B (1608)	C324	1-107-826-91	CAP, CHIP CERAMIC 100000PF B	C440	1-135-592-21	CAP, ELECT 100MF
C135	1-107-826-91	CAP, CHIP CERAMIC 100000PF B	C242	1-128-707-22	CAP, TANTALUM ELECT (SMD)220	C325	1-162-970-91	CAP, CERAMIC 10000PF B (1608)	C441	1-135-593-21	CAP, ELECT 150MF
C136	1-162-964-91	CAP,CHIP CERAMIC 1000PF B (1608)	C244	1-128-707-22	CAP, TANTALUM ELECT (SMD)220	C326	1-162-970-91	CAP, CERAMIC 10000PF B (1608)	C443	1-135-592-21	CAP, ELECT 100MF
C137	1-107-826-91	CAP, CHIP CERAMIC 100000PF B	C245	1-128-707-22	CAP, TANTALUM ELECT (SMD)220	C327	1-162-970-91	CAP, CERAMIC 10000PF B (1608)	C444	1-107-826-91	CAP, CHIP CERAMIC 100000PF B
C138	1-107-826-91	CAP, CHIP CERAMIC 100000PF B	C247	1-107-826-91	CAP, CHIP CERAMIC 100000PF B	C328	1-162-970-91	CAP, CERAMIC 10000PF B (1608)	C445	1-117-720-91	CAP, CERAMIC 4.7MF F (2012)
C139	1-107-826-91	CAP, CHIP CERAMIC 100000PF B	C248	1-107-826-91	CAP, CHIP CERAMIC 100000PF B	C329	1-162-970-91	CAP, CERAMIC 10000PF B (1608)	C446	1-135-592-21	CAP, ELECT 100MF
C140	1-107-826-91	CAP, CHIP CERAMIC 100000PF B	C249	1-115-156-91	CAP, CERAMIC 1000000PF F (1608)	C330	1-162-970-91	CAP, CERAMIC 10000PF B (1608)	C447	1-107-682-91	CAP, CERAMIC 1000000PF B (3216)
C141	1-128-964-91	CAP, CHIP TANTALUM ELECT 100MF	C250	1-127-760-91	CAP, CERAMIC 4.7MF (2012)	C331	1-162-970-91	CAP, CERAMIC 10000PF B (1608)	C449	1-162-964-91	CAP,CHIP CERAMIC 1000PF B (1608)
C142	1-107-826-91	CAP, CHIP CERAMIC 100000PF B	C252	1-107-826-91	CAP, CHIP CERAMIC 100000PF B	C332	1-162-970-91	CAP, CERAMIC 10000PF B (1608)	C450	1-107-826-91	CAP, CHIP CERAMIC 100000PF B
C143	1-107-826-91	CAP, CHIP CERAMIC 100000PF B	C254	1-107-826-91	CAP, CHIP CERAMIC 100000PF B	C333	1-162-970-91	CAP, CERAMIC 10000PF B (1608)	C452	1-164-156-91	CAP, CHIP CERAMIC 0.1MF F (1608)
C144	1-107-826-91	CAP, CHIP CERAMIC 100000PF B	C255	1-107-826-91	CAP, CHIP CERAMIC 100000PF B	C334	1-162-970-91	CAP, CERAMIC 10000PF B (1608)	C453	1-164-156-91	CAP, CHIP CERAMIC 0.1MF F (1608)
C145	1-107-826-91	CAP, CHIP CERAMIC 100000PF B	C256	1-125-777-81	CAP, CHIP CERAMIC 0.1MF B (1005)	C335	1-162-970-91	CAP, CERAMIC 10000PF B (1608)	C455	1-127-820-91	CAP, SQUARE TYPE CHIP 4.7MF
C146	1-162-964-91	CAP,CHIP CERAMIC 1000PF B (1608)	C257	1-125-837-91	CAP, CHIP CERAMIC 1MF B (1608)	C336	1-162-970-91	CAP, CERAMIC 10000PF B (1608)	C456	1-127-760-91	CAP, CERAMIC 4.7MF (2012)
C147	1-162-964-91	CAP,CHIP CERAMIC 1000PF B (1608)	C261	1-128-004-21	CAP, ELECT (CHIP) 10MF	C337	1-162-970-91	CAP, CERAMIC 10000PF B (1608)	C457	1-127-760-91	CAP, CERAMIC 4.7MF (2012)
C148	1-107-826-91	CAP, CHIP CERAMIC 100000PF B	C262	1-128-004-21	CAP, ELECT (CHIP) 10MF	C338	1-107-826-91	CAP, CHIP CERAMIC 100000PF B	C458	1-162-964-91	CAP,CHIP CERAMIC 1000PF B (1608)
C149	1-107-826-91	CAP, CHIP CERAMIC 100000PF B	C263	1-128-004-21	CAP, ELECT (CHIP) 10MF	C339	1-125-764-61	CAP, CHIP CERAMIC 100PF CH	C460	1-164-174-91	CAP,CERAMIC 8200PF B (1608)
C150	1-162-970-91	CAP, CERAMIC 10000PF B (1608)	C265	1-117-720-91	CAP, CERAMIC 4.7MF F (2012)	C340	1-125-764-61	CAP, CHIP CERAMIC 100PF CH	C461	1-164-174-91	CAP,CERAMIC 8200PF B (1608)
C151	1-164-160-91	CAP,CERAMIC 20PF CH (1608)	C266	1-128-004-21	CAP, ELECT (CHIP) 10MF	C341	1-125-764-61	CAP, CHIP CERAMIC 100PF CH	C462	1-163-009-91	CAP,CHIP CERAMIC 1000PF B (2012)
C152	1-164-160-91	CAP,CERAMIC 20PF CH (1608)	C267	1-126-210-21	CAP, ELECT 220MF	C342	1-107-826-91	CAP, CHIP CERAMIC 100000PF B	C465	1-125-777-81	CAP, CHIP CERAMIC 0.1MF B (1005)
C153	1-162-970-91	CAP, CERAMIC 10000PF B (1608)	C268	1-126-210-21	CAP, ELECT 220MF	C343	1-107-826-91	CAP, CHIP CERAMIC 100000PF B	C466	1-125-777-81	CAP, CHIP CERAMIC 0.1MF B (1005)
C154	1-162-970-91	CAP, CERAMIC 10000PF B (1608)	C269	1-164-160-91	CAP,CERAMIC 20PF CH (1608)	C344	1-107-826-91	CAP, CHIP CERAMIC 100000PF B	C467	1-126-209-21	CAP, ELECT 100MF
C155	1-107-826-91	CAP, CHIP CERAMIC 100000PF B	C270	1-125-777-81	CAP, CHIP CERAMIC 0.1MF B (1005)	C345	1-125-777-81	CAP, CHIP CERAMIC 0.1MF B (1005)	C468	1-126-209-21	CAP, ELECT 100MF
C156	1-107-826-91	CAP, CHIP CERAMIC 100000PF B	C271	1-125-837-91	CAP, CHIP CERAMIC 1MF B (1608)	C355	1-125-777-81	CAP, CHIP CERAMIC 0.1MF B (1005)	C469	1-162-977-91	CAP, CERAMIC 1800PF B (1608)
C157	1-125-777-81	CAP, CHIP CERAMIC 0.1MF B (1005)	C272	1-125-837-91	CAP, CHIP CERAMIC 1MF B (1608)	C356	1-125-777-81	CAP, CHIP CERAMIC 0.1MF B (1005)	C470	1-107-826-91	CAP, CHIP CERAMIC 100000PF B
C158	1-162-970-91	CAP, CERAMIC 10000PF B (1608)	C275	1-107-826-91	CAP, CHIP CERAMIC 1000000PF B	C363	1-107-826-91	CAP, CHIP CERAMIC 100000PF B	C471	1-164-379-91	CAP, CERAMIC 43PF CH (1608)
C159	1-107-826-91	CAP, CHIP CERAMIC 100000PF B	C276	1-162-965-91	CAP, CERAMIC 1500PF B (1608)	C364	1-107-826-91	CAP, CHIP CERAMIC 100000PF B	C472	1-107-826-91	CAP, CHIP CERAMIC 100000PF B
C160	1-162-925-91	CAP, CERAMIC 68PF CH (1608)	C277	1-162-965-91	CAP, CERAMIC 1500PF B (1608)	C365	1-107-826-91	CAP, CHIP CERAM			

Ref.	Part No.	Description	Ref.	Part No.	Description	Ref.	Part No.	Description	Ref.	Part No.	Description
C479	1-125-837-91	CAP, CHIP CERAMIC 1MF B (1608)	C634	1-164-156-91	CAP, CHIP CERAMIC 0.1MF F (1608)	C801	1-115-467-91	CAP, CHIP CERAMIC0.22MF B (1608)	C897	1-164-677-91	CAP,CERAMIC 33000PF B (1608)
C480	1-107-725-91	CAP, CERAMIC 100000PF B (2012)	C635	1-162-968-91	CAP,CHIP CERAMIC 4700PF B (1608)	C802	1-115-467-91	CAP, CHIP CERAMIC0.22MF B (1608)	C898	1-164-156-91	CAP, CHIP CERAMIC 0.1MF F (1608)
C482	1-107-826-91	CAP, CHIP CERAMIC 100000PF B	C636	1-107-826-91	CAP, CHIP CERAMIC 100000PF B	C803	1-162-927-91	CAP, CERAMIC 100PF CH (1608)			
C483	1-107-826-91	CAP, CHIP CERAMIC 100000PF B	C637	1-162-964-91	CAP,CHIP CERAMIC 1000PF B (1608)				C899	1-164-156-91	CAP, CHIP CERAMIC 0.1MF F (1608)
C485	1-107-826-91	CAP, CHIP CERAMIC 100000PF B				C804	1-162-927-91	CAP, CERAMIC 100PF CH (1608)	C901	1-107-826-91	CAP, CHIP CERAMIC 100000PF B
C486	1-137-765-21	CAP, ELECT 47MF	C638	1-162-970-91	CAP, CERAMIC 10000PF B (1608)	C805	1-162-927-91	CAP, CERAMIC 100PF CH (1608)	C902	1-107-826-91	CAP, CHIP CERAMIC 100000PF B
C487	1-131-999-21	CAP, SOLID ELECT 150MF	C639	1-164-217-91	CAP,CERAMIC 150PF CH (1608)	C806	1-162-927-91	CAP, CERAMIC 100PF CH (1608)	C903	1-107-826-91	CAP, CHIP CERAMIC 100000PF B
C488	1-115-566-91	CAP, CERAMIC 4.7MF B	C640	1-135-259-91	CAP, CHIP TANTALUM ELECT 10MF	C807	1-162-927-91	CAP, CERAMIC 100PF CH (1608)	C904	1-107-826-91	CAP, CHIP CERAMIC 100000PF B
C489	1-131-999-21	CAP, SOLID ELECT 150MF	C642	1-164-156-91	CAP, CHIP CERAMIC 0.1MF F (1608)	C808	1-162-927-91	CAP, CERAMIC 100PF CH (1608)			
C490	1-126-209-21	CAP, ELECT 100MF	C643	1-107-826-91	CAP, CHIP CERAMIC 100000PF B				C905	1-107-826-91	CAP, CHIP CERAMIC 100000PF B
						C809	1-107-826-91	CAP, CHIP CERAMIC 100000PF B	C906	1-107-826-91	CAP, CHIP CERAMIC 100000PF B
C491	1-126-209-21	CAP, ELECT 100MF	C644	1-164-230-91	CAP,CERAMIC 220PF CH (1608)	C810	1-104-851-91	CAP, CHIP TANTALUM ELECT 10MF	C907	1-107-826-91	CAP, CHIP CERAMIC 100000PF B
C492	1-107-826-91	CAP, CHIP CERAMIC 100000PF B	C645	1-165-176-91	CAP,CERAMIC 47000PF B (1608)	C811	1-135-900-21	CAP, TANTALUM ELECT 22MF	C908	1-107-826-91	CAP, CHIP CERAMIC 100000PF B
C493	1-107-826-91	CAP, CHIP CERAMIC 100000PF B	C646	1-162-964-91	CAP,CHIP CERAMIC 1000PF B (1608)	C812	1-164-730-91	CAP,CERAMIC 1200PF B (1608)	C909	1-107-826-91	CAP, CHIP CERAMIC 100000PF B
C494	1-107-725-91	CAP, CERAMIC 100000PF B (2012)	C647	1-117-863-91	CAP, CHIP CERAMIC0.47MF B (1608)	C819	1-107-826-91	CAP, CHIP CERAMIC 100000PF B			
C495	1-125-837-91	CAP, CHIP CERAMIC 1MF B (1608)	C648	1-164-156-91	CAP, CHIP CERAMIC 0.1MF F (1608)				C910	1-107-826-91	CAP, CHIP CERAMIC 100000PF B
						C821	1-104-851-91	CAP, CHIP TANTALUM ELECT 10MF	C911	1-107-826-91	CAP, CHIP CERAMIC 100000PF B
C496	1-107-682-91	CAP, CERAMIC 1000000PF B (3216)	C649	1-162-970-91	CAP, CERAMIC 10000PF B (1608)	C824	1-135-900-21	CAP, TANTALUM ELECT 22MF	C912	1-107-826-91	CAP, CHIP CERAMIC 100000PF B
C497	1-162-964-91	CAP,CHIP CERAMIC 1000PF B (1608)	C650	1-164-230-91	CAP,CERAMIC 220PF CH (1608)	C825	1-164-730-91	CAP,CERAMIC 1200PF B (1608)	C913	1-107-826-91	CAP, CHIP CERAMIC 100000PF B
C498	1-127-760-91	CAP, CERAMIC 4.7MF (2012)	C651	1-162-966-91	CAP, CERAMIC 2200PF B (1608)	C826	1-164-677-91	CAP,CERAMIC 33000PF B (1608)	C914	1-107-826-91	CAP, CHIP CERAMIC 100000PF B
C499	1-164-505-91	CAP, CHIP CERAMIC 2.2MF F (2012)	C652	1-107-826-91	CAP, CHIP CERAMIC 100000PF B	C827	1-162-966-91	CAP, CERAMIC 2200PF B (1608)			
C501	1-164-346-91	CAP, CHIP CERAMIC 1MF F (2012)	C653	1-162-966-91	CAP, CERAMIC 2200PF B (1608)				C915	1-107-826-91	CAP, CHIP CERAMIC 100000PF B
						C828	1-162-966-91	CAP, CERAMIC 2200PF B (1608)	C916	1-107-826-91	CAP, CHIP CERAMIC 100000PF B
C502	1-113-619-91	CAP, CERAMIC 470000PF F (1608)	C654	1-164-156-91	CAP, CHIP CERAMIC 0.1MF F (1608)	C829	1-162-966-91	CAP, CERAMIC 2200PF B (1608)	C917	1-107-826-91	CAP, CHIP CERAMIC 100000PF B
C503	1-163-009-91	CAP,CHIP CERAMIC 1000PF B (2012)	C655	1-135-259-91	CAP, CHIP TANTALUM ELECT 10MF	C830	1-162-966-91	CAP, CERAMIC 2200PF B (1608)	C918	1-107-826-91	CAP, CHIP CERAMIC 100000PF B
C504	1-164-346-91	CAP, CHIP CERAMIC 1MF F (2012)	C656	1-164-156-91	CAP, CHIP CERAMIC 0.1MF F (1608)	C831	1-162-975-91	CAP, CERAMIC 24PF CH (1608)	C919	1-107-826-91	CAP, CHIP CERAMIC 100000PF B
C505	1-163-009-91	CAP,CHIP CERAMIC 1000PF B (2012)	C657	1-164-230-91	CAP,CERAMIC 220PF CH (1608)	C832	1-115-467-91	CAP, CHIP CERAMIC0.22MF B (1608)			
C508	1-113-619-91	CAP, CERAMIC 470000PF F (1608)	C658	1-164-230-91	CAP,CERAMIC 220PF CH (1608)				C920	1-107-826-91	CAP, CHIP CERAMIC 100000PF B
						C834	1-163-038-91	CAP, CERAMIC 100000PF F (2012)	C921	1-107-826-91	CAP, CHIP CERAMIC 100000PF B
C509	1-113-619-91	CAP, CERAMIC 470000PF F (1608)	C660	1-107-826-91	CAP, CHIP CERAMIC 100000PF B	C835	1-127-692-91	CAP, CHIP CERAMIC 10MF B 3225)	C922	1-107-826-91	CAP, CHIP CERAMIC 100000PF B
C510	1-113-619-91	CAP, CERAMIC 470000PF F (1608)	C661	1-164-156-91	CAP, CHIP CERAMIC 0.1MF F (1608)	C836	1-107-826-91	CAP, CHIP CERAMIC 100000PF B	C923	1-107-826-91	CAP, CHIP CERAMIC 100000PF B
C513	1-113-619-91	CAP, CERAMIC 470000PF F (1608)	C662	1-164-156-91	CAP, CHIP CERAMIC 0.1MF F (1608)	C837	1-107-826-91	CAP, CHIP CERAMIC 100000PF B	C924	1-107-826-91	CAP, CHIP CERAMIC 100000PF B
C514	1-113-619-91	CAP, CERAMIC 470000PF F (1608)	C664	1-135-259-91	CAP, CHIP TANTALUM ELECT 10MF	C839	1-125-837-91	CAP, CHIP CERAMIC 1MF B (1608)			
C516	1-113-619-91	CAP, CERAMIC 470000PF F (1608)	C665	1-164-156-91	CAP, CHIP CERAMIC 0.1MF F (1608)				C925	1-107-826-91	CAP, CHIP CERAMIC 100000PF B
						C840	1-107-826-91	CAP, CHIP CERAMIC 100000PF B	C926	1-107-826-91	CAP, CHIP CERAMIC 100000PF B
C517	1-113-619-91	CAP, CERAMIC 470000PF F (1608)	C666	1-164-156-91	CAP, CHIP CERAMIC 0.1MF F (1608)	C841	1-107-826-91	CAP, CHIP CERAMIC 100000PF B	C927	1-107-826-91	CAP, CHIP CERAMIC 100000PF B
C518	1-113-619-91	CAP, CERAMIC 470000PF F (1608)	C667	1-164-156-91	CAP, CHIP CERAMIC 0.1MF F (1608)	C842	1-107-826-91	CAP, CHIP CERAMIC 100000PF B	C928	1-107-826-91	CAP, CHIP CERAMIC 100000PF B
C521	1-125-837-91	CAP, CHIP CERAMIC 1MF B (1608)	C668	1-107-826-91	CAP, CHIP CERAMIC 100000PF B	C843	1-162-970-91	CAP, CERAMIC 10000PF B (1608)	C929	1-107-826-91	CAP, CHIP CERAMIC 100000PF B
C522	1-164-156-91	CAP, CHIP CERAMIC 0.1MF F (1608)	C671	1-164-156-91	CAP, CHIP CERAMIC 0.1MF F (1608)	C844	1-125-837-91	CAP, CHIP CERAMIC 1MF B (1608)			
C523	1-162-970-91	CAP, CERAMIC 10000PF B (1608)	C672	1-164-156-91	CAP, CHIP CERAMIC 0.1MF F (1608)				C930	1-107-826-91	CAP, CHIP CERAMIC 100000PF B
						C845	1-162-970-91	CAP, CERAMIC 10000PF B (1608)	C931	1-107-826-91	CAP, CHIP CERAMIC 100000PF B
C524	1-113-619-91	CAP, CERAMIC 470000PF F (1608)	C673	1-164-156-91	CAP, CHIP CERAMIC 0.1MF F (1608)	C846	1-107-826-91	CAP, CHIP CERAMIC 100000PF B	C932	1-107-826-91	CAP, CHIP CERAMIC 100000PF B
C525	1-113-619-91	CAP, CERAMIC 470000PF F (1608)	C674	1-164-156-91	CAP, CHIP CERAMIC 0.1MF F (1608)	C848	1-107-823-91	CAP, CERAMIC 470000PF B (2012)	C933	1-107-826-91	CAP, CHIP CERAMIC 100000PF B
C527	1-162-964-91	CAP,CHIP CERAMIC 1000PF B (1608)	C675	1-164-156-91	CAP, CHIP CERAMIC 0.1MF F (1608)	C850	1-107-826-91	CAP, CHIP CERAMIC 100000PF B	C934	1-107-826-91	CAP, CHIP CERAMIC 100000PF B
C528	1-125-837-91	CAP, CHIP CERAMIC 1MF B (1608)	C676	1-164-156-91	CAP, CHIP CERAMIC 0.1MF F (1608)	C851	1-162-970-91	CAP, CERAMIC 10000PF B (1608)			
C529	1-128-008-21	CAP, ELECT (CHIP) 3.3MF	C685	1-117-863-91	CAP, CHIP CERAMIC0.47MF B (1608)				C935	1-107-826-91	CAP, CHIP CERAMIC 100000PF B
						C853	1-107-826-91	CAP, CHIP CERAMIC 100000PF B	C936	1-107-826-91	CAP, CHIP CERAMIC 100000PF B
C530	1-128-008-21	CAP, ELECT (CHIP) 3.3MF	C688	1-162-964-91	CAP,CHIP CERAMIC 1000PF B (1608)	C854	1-107-826-91	CAP, CHIP CERAMIC 100000PF B	C937	1-107-826-91	CAP, CHIP CERAMIC 100000PF B
C533	1-113-619-91	CAP, CERAMIC 470000PF F (1608)	C693	1-162-912-91	CAP, CERAMIC 7.0PF CH (1608)	C855	1-115-467-91	CAP, CHIP CERAMIC0.22MF B (1608)	C938	1-107-826-91	CAP, CHIP CERAMIC 100000PF B
C534	1-113-619-91	CAP, CERAMIC 470000PF F (1608)	C701	1-162-927-91	CAP, CERAMIC 100PF CH (1608)	C857	1-107-826-91	CAP, CHIP CERAMIC 100000PF B	C939	1-107-826-91	CAP, CHIP CERAMIC 100000PF B
C535	1-113-619-91	CAP, CERAMIC 470000PF F (1608)	C702	1-162-927-91	CAP, CERAMIC 100PF CH (1608)	C859	1-107-826-91	CAP, CHIP CERAMIC 100000PF B			
C536	1-113-619-91	CAP, CERAMIC 470000PF F (1608)	C703	1-125-764-61	CAP, CHIP CERAMIC 100PF CH				C940	1-107-826-91	CAP, CHIP CERAMIC 100000PF B
									C941	1-107-826-91	CAP, CHIP CERAMIC 100000PF B
C537	1-113-619-91	CAP, CERAMIC 470000PF F (1608)	C707	1-165-642-21	CAP, ELECT 39MF	C862	1-164-739-91	CAP, CERAMIC 560PF CH (1608)	C942	1-107-826-91	CAP, CHIP CERAMIC 100000PF B
C538	1-113-619-91	CAP, CERAMIC 470000PF F (1608)	C708	1-165-642-21	CAP, ELECT 39MF	C863	1-162-964-91	CAP,CHIP CERAMIC 1000PF B (1608)	C943	1-107-826-91	CAP, CHIP CERAMIC 100000PF B
C539	1-113-619-91	CAP, CERAMIC 470000PF F (1608)	C711	1-135-599-21	CAP, SOLID ELECT 39MF	C866	1-107-826-91	CAP, CHIP CERAMIC 100000PF B	C944	1-107-826-91	CAP, CHIP CERAMIC 100000PF B
C540	1-113-619-91	CAP, CERAMIC 470000PF F (1608)	C712	1-162-970-91	CAP, CERAMIC 10000PF B (1608)	C868	1-164-156-91	CAP, CHIP CERAMIC 0.1MF F (1608)			
C541	1-113-619-91	CAP, CERAMIC 470000PF F (1608)	C714	1-165-642-21	CAP, ELECT 39MF				C945	1-107-826-91	CAP, CHIP CERAMIC 100000PF B
									C946	1-107-826-91	CAP, CHIP CERAMIC 100000PF B
C542	1-162-927-91	CAP, CERAMIC 100PF CH (1608)	C716	1-131-999-21	CAP, SOLID ELECT 150MF	C870	1-164-156-91	CAP, CHIP CERAMIC 0.1MF F (1608)	C947	1-107-826-91	CAP, CHIP CERAMIC 100000PF B
C544	1-137-765-21	CAP, ELECT 47MF	C717	1-135-599-21	CAP, SOLID ELECT 39MF	C871	1-164-677-91	CAP,CERAMIC 33000PF B (1608)	C948	1-107-826-91	CAP, CHIP CERAMIC 100000PF B
C545	1-137-765-21	CAP, ELECT 47MF	C718	1-135-599-21	CAP, SOLID ELECT 39MF	C872	1-115-467-91	CAP, CHIP CERAMIC0.22MF B (1608)	C949	1-107-826-91	CAP, CHIP CERAMIC 100000PF B
C601	1-164-156-91	CAP, CHIP CERAMIC 0.1MF F (1608)	C722	1-164-937-81	CAP, CHIP CERAMIC 10000PF B (1005)	C873	1-164-392-91	CAP, CERAMIC 390PF CH (1608)			
C603	1-162-964-91	CAP,CHIP CERAMIC 1000PF B (1608)	C723	1-137-766-21	CAP, ELECT 68MF				C950	1-107-826-91	CAP, CHIP CERAMIC 100000PF B
									C951	1-107-826-91	CAP, CHIP CERAMIC 100000PF B
C605	1-162-964-91	CAP,CHIP CERAMIC 1000PF B (1608)	C724	1-137-765-21	CAP, ELECT 47MF	C874	1-164-677-91	CAP,CERAMIC 33000PF B (1608)	C952	1-107-826-91	CAP, CHIP CERAMIC 100000PF B
C606	1-162-964-91	CAP,CHIP CERAMIC 1000PF B (1608)	C725	1-124-779-21	CAP, ELECT 10MF	C875	1-107-826-91	CAP, CHIP CERAMIC 100000PF B	C953	1-107-826-91	CAP, CHIP CERAMIC 100000PF B
C607	1-162-968-91	CAP,CHIP CERAMIC 4700PF B (1608)	C726	1-162-964-91	CAP,CHIP CERAMIC 1000PF B (1608)	C876	1-125-838-91	CAP, CHIP CERAMIC2.2MF B (2012)	C954	1-107-826-91	CAP, CHIP CERAMIC 100000PF B
C609	1-107-826-91</										

Ref.	Part No.	Description
C965	1-107-826-91	CAP, CHIP CERAMIC 100000PF B
C966	1-107-826-91	CAP, CHIP CERAMIC 100000PF B
C967	1-125-837-91	CAP, CHIP CERAMIC 1MF B (1608)
C968	1-125-837-91	CAP, CHIP CERAMIC 1MF B (1608)
C980	1-107-826-91	CAP, CHIP CERAMIC 100000PF B
C981	1-107-826-91	CAP, CHIP CERAMIC 100000PF B
C982	1-107-826-91	CAP, CHIP CERAMIC 100000PF B
C983	1-107-826-91	CAP, CHIP CERAMIC 100000PF B
C984	1-107-826-91	CAP, CHIP CERAMIC 100000PF B
C985	1-107-826-91	CAP, CHIP CERAMIC 100000PF B
C986	1-107-826-91	CAP, CHIP CERAMIC 100000PF B
C987	1-107-826-91	CAP, CHIP CERAMIC 100000PF B
C988	1-107-826-91	CAP, CHIP CERAMIC 100000PF B
C989	1-107-826-91	CAP, CHIP CERAMIC 100000PF B
C990	1-125-837-91	CAP, CHIP CERAMIC 1MF B (1608)
		<CONNECTOR>
CN201	1-815-631-11	CONNECTOR, SQUARE TYPE 12P
CN302	1-794-206-21	CONNECTOR, FFC/FPC (ZIF) 36P
CN303	1-694-822-11	TERMINAL BOARD (ILINK/USB)
CN401	1-815-630-11	PIN, CONNECTOR 4P
CN402	1-815-648-21	PIN, CONNECTOR (PC BOARD) 2P
CN403	1-784-650-21	CONNECTOR 2P
CN406	1-779-345-11	CONNECTOR, FFC/FPC 7P
CN501	1-476-736-11	TRANSMITTER UNIT, LIGHT
CN504	1-815-632-11	CONNECTOR BOARD TO BOARD 110P
CN801	1-794-237-21	CONNECTOR, FFC/FPC 30P
CN802	1-770-619-41	PIN, CONNECTOR 2P
CN803	1-779-206-21	CONNECTOR, FFC(LIF(NON-ZIF)4P
CN804	1-794-194-21	CONNECTOR, FFC/FPC 13P
CN805	1-770-619-21	PIN, CONNECTOR 2P
CN806	1-770-619-81	PIN, CONNECTOR 2P
		<DIODE>
D201	8-719-065-78	DIODE MAZF12000LS0
D201	8-719-082-01	DIODE MM3Z12VT1
D202	6-500-009-01	DIODE RSE6.8XN-TR
D202	6-500-044-01	DIODE DF6A6.8FU(TE85R)
D202	6-500-045-01	DIODE MAZB068H0LS0
D202	6-500-053-01	DIODE DF6A6.8FUT1
D203	6-500-009-01	DIODE RSE6.8XN-TR
D203	6-500-044-01	DIODE DF6A6.8FU(TE85R)
D203	6-500-045-01	DIODE MAZB068H0LS0
D203	6-500-053-01	DIODE DF6A6.8FUT1
D208	6-500-009-01	DIODE RSE6.8XN-TR
D208	6-500-044-01	DIODE DF6A6.8FU(TE85R)
D208	6-500-045-01	DIODE MAZB068H0LS0
D208	6-500-053-01	DIODE DF6A6.8FUT1
D301	8-719-027-76	DIODE 1SS357-TPH3
D301	8-719-058-24	DIODE RB501V-40TE-17
D301	8-719-071-87	DIODE MA785-(TX),SO
D302	8-719-027-76	DIODE 1SS357-TPH3
D302	8-719-058-24	DIODE RB501V-40TE-17
D302	8-719-071-87	DIODE MA785-(TX),SO
D402	8-719-074-34	DIODE RB495D-T146
D402	8-719-081-84	DIODE HRW0202BTL
D403	8-719-074-34	DIODE RB495D-T146
D403	8-719-081-84	DIODE HRW0202BTL
D404	8-719-033-15	DIODE HN2D02FU-TE85R
D405	8-719-066-98	DIODE RB051L-40TE25
D405	8-719-078-04	DIODE EC31QS03L-TE12L
D407	8-719-074-34	DIODE RB495D-T146
D407	8-719-081-84	DIODE HRW0202BTL
D408	8-719-074-34	DIODE RB495D-T146
D408	8-719-081-84	DIODE HRW0202BTL
D500	8-719-024-81	DIODE 1SS300-TE85L

Ref.	Part No.	Description
D500	8-719-941-21	DIODE DAP202UT106
D501	8-719-082-76	DIODE CL-201TLY-C-TU
D801	8-719-065-68	DIODE MAZF04700LS0
D801	8-719-082-00	DIODE MM3Z4V7T1
D802	8-719-065-68	DIODE MAZF04700LS0
D802	8-719-082-00	DIODE MM3Z4V7T1
		<FUSE>
△ F003	1-576-434-21	FUSE, CHIP
△ F003	1-576-434-41	FUSE, CHIP
△ F003	1-576-438-21	FUSE, CHIP
		<FERRITE BEAD>
FB102	1-469-667-21	FERRITE, EMI (SMD)
FB103	1-469-667-21	FERRITE, EMI (SMD)
FB201	1-414-813-21	FERRITE, EMI (SMD)
FB202	1-500-113-22	BEAD, FERRITE (CHIP)
FB203	1-500-113-22	BEAD, FERRITE (CHIP)
FB204	1-500-113-22	BEAD, FERRITE (CHIP)
FB205	1-500-113-22	BEAD, FERRITE (CHIP)
FB206	1-500-113-22	BEAD, FERRITE (CHIP)
FB303	1-400-154-21	FERRITE, EMI
FB305	1-414-555-21	FERRITE, EMI (SMD)
FB308	1-400-154-21	FERRITE, EMI
FB310	1-414-555-21	FERRITE, EMI (SMD)
FB313	1-469-324-21	FERRITE, EMI (SMD)
FB314	1-469-324-21	FERRITE, EMI (SMD)
FB315	1-469-324-21	FERRITE, EMI (SMD)
FB316	1-469-324-21	FERRITE, EMI (SMD)
FB317	1-469-110-21	FERRITE, EMI (SMD)
FB318	1-469-110-21	FERRITE, EMI (SMD)
FB319	1-469-110-21	FERRITE, EMI (SMD)
FB320	1-469-110-21	FERRITE, EMI (SMD)
FB321	1-469-110-21	FERRITE, EMI (SMD)
FB322	1-469-110-21	FERRITE, EMI (SMD)
FB323	1-469-110-21	FERRITE, EMI (SMD)
FB324	1-469-110-21	FERRITE, EMI (SMD)
FB403	1-469-667-21	FERRITE, EMI (SMD)
FB404	1-469-667-21	FERRITE, EMI (SMD)
FB405	1-469-667-21	FERRITE, EMI (SMD)
FB406	1-469-667-21	FERRITE, EMI (SMD)
FB407	1-469-667-21	FERRITE, EMI (SMD)
FB408	1-469-667-21	FERRITE, EMI (SMD)
FB409	1-469-667-21	FERRITE, EMI (SMD)
FB801	1-469-562-21	FERRITE, EMI (SMD)
FB802	1-469-562-21	FERRITE, EMI (SMD)
		<FILTER>
FL201	1-469-991-21	EMI FILTER (SMD)
FL202	1-469-991-21	EMI FILTER (SMD)
FL203	1-469-991-21	EMI FILTER (SMD)
FL204	1-234-724-21	NETWORK, RC
FL301	1-234-725-21	NETWORK, RC (USB)
		<IC>
IC101	8-759-831-20	IC CY2212ZC-2T
IC101	8-759-834-04	IC SN104971APWR
IC102	6-701-018-01	IC K4R271669B-SCK8T
IC102	6-800-080-01	IC TC59RM716GB-8DYELZ
IC102	8-759-666-89	IC TC59RM716GB-8(YEL
IC103	6-701-018-01	IC K4R271669B-SCK8T
IC103	6-800-080-01	IC TC59RM716GB-8DYELZ
IC103	8-759-666-89	IC TC59RM716GB-8(YEL
IC104	8-759-699-09	IC CXD9615GB
IC105	8-759-689-90	IC LM74CIMX-3
IC205	6-700-230-01	IC SC44728BPBEB

Ref.	Part No.	Description
IC206	8-752-093-56	IC CXA3525R-T4
IC206	8-752-099-53	IC CXA3525BR-T4
IC207	8-759-391-69	IC MC78M05CDTRK
IC207	8-759-691-00	IC JCP78M05CDTRK
IC207	8-759-697-61	IC L78M05CDT-TR(P)
IC208	8-759-683-81	IC SN74CBT1G125DCKR
IC209	8-759-697-60	IC MM3071CFBE
IC303	8-759-699-11	IC CXD9619GB
IC305	6-700-119-01	IC T5NB8(YEL)
IC305	6-700-549-01	IC K4Q153212MJC60T
IC306	8-759-688-07	IC MM3051NULE
IC306	8-759-697-24	IC S-817A12ANB-CUB-T2
IC402	8-759-837-34	IC TMP87C807U-2A69(EL)
IC403	6-700-665-01	IC MM1550AFBE
IC405	8-759-560-17	IC RS5C348A-E2
IC406	8-759-698-67	IC BR2880F-E2
IC407	8-759-712-66	IC PQ018PZ01ZP
IC408	8-759-712-65	IC PQ070XZ01ZP
IC409	6-700-664-01	IC SN105216DBTR
IC409	8-759-689-89	IC SN104809DBTR
IC410	8-749-018-42	IC SI-3026LSA-TL
IC411	8-759-688-06	IC MM3031JULE
IC412	8-749-018-41	IC SI-3025LSA-TL
IC413	6-700-233-01	IC MM1573ZNL
IC413	8-759-598-12	IC LP2985IM5X-3.5
IC414	6-701-175-01	IC MC7808CDTT5
IC414	8-759-069-41	IC TA7808F(TE16L)
IC414	8-759-473-16	IC BA17808FP-E2
IC415	8-759-581-11	IC NJM2125F(TE2)
IC501	6-700-231-01	IC CXD9611AR
IC501	8-759-699-10	IC CXD9611R
IC502	6-701-050-01	IC MSM10V976F-50TKR1
IC502	8-759-712-79	IC K4E151612D-TL50T00
IC502	8-759-712-80	IC MT4LC1M16E5TG-5TR
IC502	8-759-712-81	IC GM71V18163CT-5T
IC502	8-759-712-82	IC SDMV18165CTM6S
IC504	8-752-408-53	IC CXD2942AR
IC504	8-752-410-55	IC CXD2942BR
IC517	8-759-667-10	IC CS4335-KS
IC603	8-759-370-11	IC NJM2100V-TE2
IC605	8-752-413-11	IC CXD1869BQ
IC605	8-752-414-53	IC CXD1869AQ-2
C707	1-165-642-21	CAP, ELECT 39MF
C708	1-165-642-21	CAP, ELECT 39MF
C714	1-165-642-21	CAP, ELECT 39MF
IC801	6-700-585-01	IC SP3727AFA0PMR
IC802	8-759-697-65	IC BA5815FM-E2
IC803	8-759-588-60	IC BA6664FM-E2
IC805	8-759-712-38	IC HD74HC1G66CME
IC805	8-759-712-63	IC MC74VHC1G66DFT1
IC806	8-759-337-40	IC NJM2904V(TE2)
IC807	8-759-391-69	IC MC78M05CDTRK
IC807	8-759-691-00	IC JCP78M05CDTRK
IC807	8-759-697-61	IC L78M05CDT-TR(P)
		<INDUCTOR>
L102	1-469-525-91	INDUCTOR 10UH (NLFV25)
L102	1-469-967-21	INDUCTOR, CHIP 10UH (2518)
L203	1-469-525-91	INDUCTOR 10UH (NLFV25)
L203	1-469-967-21	INDUCTOR, CHIP 10UH (2518)
L205	1-469-525-91	INDUCTOR 10UH (NLFV25)
L205	1-469-967-21	INDUCTOR, CHIP 10UH (2518)
L401	1-411-197-21	COIL, DD CONVERTER
L401	1-424-788-21	COIL, CHOKE (SMD) 10UH
L404	1-424-854-21	COIL (SMD), CHOKE 2.0UH
L404	1-424-914-21	COIL, CHOKE (SMD) 2.2UH

Ref.	Part No.	Description
L404	1-424-920-21	COIL, CHOKE (SMD) 2.4UH
L408	1-419-898-21	COIL, CHOKE 5.6UH
L408	1-419-902-21	COIL, CHOKE (SMD) 5.6UH
L410	1-411-197-21	COIL, DD CONVERTER
L410	1-424-788-21	COIL, CHOKE (SMD) 10UH
L410	1-424-797-21	COIL, CHOKE 10UH
L411	1-419-940-21	COIL, CHOKE 10UH
L411	1-424-789-41	COIL, CHOKE (SMD) 10UH
L411	1-424-916-21	COIL, CHOKE (SMD) 10UH
L412	1-411-197-21	COIL, DD CONVERTER
L412	1-424-788-21	COIL, CHOKE (SMD) 10UH
L412	1-424-797-21	COIL, CHOKE 10UH
L413	1-424-789-41	COIL, CHOKE (SMD) 10UH
L413	1-424-798-21	COIL, CHOKE (SMD) 10UH
L413	1-424-799-21	COIL, CHOKE (SMD) 10UH
L413	1-424-916-21	COIL, CHOKE (SMD) 10UH
L414	1-424-789-41	COIL, CHOKE (SMD) 10UH
L414	1-424-798-21	COIL, CHOKE (SMD) 10UH
L414	1-424-916-21	COIL, CHOKE (SMD) 10UH
L801	1-400-073-21	INDUCTOR, CHIP 4.7UH (2518)
L801	1-469-524-91	INDUCTOR 4.7UH (NLFV25)
L802	1-400-073-21	INDUCTOR, CHIP 4.7UH (2518)
L802	1-469-524-91	INDUCTOR 4.7UH (NLFV25)
L803	1-414-394-41	INDUCTOR (SMD) 2.2UH
		<COIL>
LF101	1-419-100-21	COIL, COMMON-MODE CHOKE
LF801	1-416-405-21	FILTER, CHIP EMI (COMMON MODE)
		<LINK>
△ PS001	1-576-519-21	FUSE, MICRO (1608) TYPE)
△ PS002	1-533-940-21	RINK, CHIP IC
△ PS002	1-576-282-21	RINK, SQUARE CHIP TYPE IC
△ PS003	1-533-940-21	RINK, CHIP IC
△ PS003	1-576-282-21	RINK, SQUARE CHIP TYPE IC
△ PS004	1-533-940-21	RINK, CHIP IC
△ PS004	1-576-282-21	RINK, SQUARE CHIP TYPE IC
△ PS005	1-576-398-21	RINK, IC (CCP2E63)
△ PS006	1-533-915-41	RINK, CHIP IC
△ PS006	1-576-259-21	RINK, IC
△ PS007	1-533-282-21	LINK, IC
△ PS008	1-533-940-21	RINK, CHIP IC
△ PS008	1-576-282-21	RINK, SQUARE CHIP TYPE IC
△ PS009	1-533-915-41	RINK, CHIP IC
△ PS009	1-576-259-21	RINK, IC
△ PS010	1-533-282-21	LINK, IC
△ PS011	1-576-519-21	FUSE, MICRO (1608) TYPE)
△ PS012	1-533-915-41	RINK, CHIP IC
△ PS012	1-576-259-21	RINK, IC
△ PS013	1-533-940-21	RINK, CHIP IC
△ PS013	1-576-282-21	RINK, SQUARE CHIP TYPE

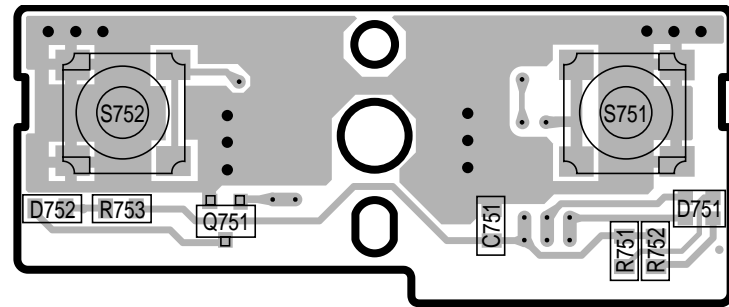
Ref.	Part No.	Description	Ref.	Part No.	Description	Ref.	Part No.	Description	Ref.	Part No.	Description
Q404	8-729-052-07	TRANSISTOR HAT2064R-EL	R120	1-211-973-91	RES, CHIP 15 (1608)	R351	1-216-805-91	RES, CHIP 47 (1608)	R459	1-216-833-91	RES, CHIP 10K (1608)
Q404	8-729-054-64	TRANSISTOR IRF7455-TR	R121	1-211-973-91	RES, CHIP 15 (1608)	R352	1-216-797-91	RES, CHIP 10 (1608)	R460	1-218-871-91	RES, CHIP 10K (1608)
Q405	8-729-014-43	TRANSISTOR RN1904-TE85R	R131	1-216-833-91	RES, CHIP 10K (1608)	R357	1-218-933-81	RES, CHIP 22 (1608)	R461	1-216-309-91	RES, CHIP 5.6 (2012)
Q405	8-729-052-36	TRANSISTOR UMH2NTN	R132	1-216-833-91	RES, CHIP 10K (1608)	R360	1-218-937-81	RES, CHIP 47 (1608)	R462	1-216-849-91	RES, CHIP 220K (1608)
Q405	8-729-427-47	TRANSISTOR XP4213-TXE	R134	1-218-965-81	RES, CHIP 10K (1608)	R361	1-218-937-81	RES, CHIP 47 (1608)	R463	1-216-857-91	RES, CHIP 1.0M (1608)
Q406	8-729-053-79	TRANSISTOR IRF7901D1-TR	R139	1-216-801-91	RES, CHIP 22 (1608)	R362	1-216-805-91	RES, CHIP 47 (1608)	R464	1-216-864-91	CONDUCTOR, CHIP (1608)
Q406	8-729-053-80	TRANSISTOR SI4830DY-T1	R145	1-218-953-81	RES, CHIP 1.0K (1608)	R364	1-216-805-91	RES, CHIP 47 (1608)	R465	1-216-845-91	RES, CHIP 100K (1608)
Q406	8-729-054-68	TRANSISTOR FDS6986S	R146	1-216-821-91	RES, CHIP 1.0K (1608)	R365	1-216-805-91	RES, CHIP 47 (1608)	R466	1-216-821-91	RES, CHIP 1.0K (1608)
Q407	8-729-046-04	TRANSISTOR FDS6690A	R147	1-216-821-91	RES, CHIP 1.0K (1608)	R366	1-218-937-81	RES, CHIP 47 (1608)	R467	1-216-833-91	RES, CHIP 10K (1608)
Q407	8-729-054-66	TRANSISTOR HAT2071R-EL	R156	1-216-864-91	CONDUCTOR, CHIP (1608)	R367	1-216-805-91	RES, CHIP 47 (1608)	R470	1-216-845-91	RES, CHIP 100K (1608)
Q408	8-729-051-61	TRANSISTOR IRF7807D1-TR	R185	1-216-829-91	RES, CHIP 4.7K (1608)	R368	1-216-805-91	RES, CHIP 47 (1608)	R472	1-218-871-91	RES, CHIP 10K (1608)
Q408	8-729-054-67	TRANSISTOR FDS6690S	R188	1-216-829-91	RES, CHIP 4.7K (1608)	R394	1-216-833-91	RES, CHIP 10K (1608)	R473	1-218-863-91	RES, CHIP 4.7K (1608)
Q409	8-729-013-97	TRANSISTOR RN1304-TE85L	R196	1-218-933-81	RES, CHIP 22 (1608)	R395	1-218-957-81	RES, CHIP 2.2K (1608)	R474	1-216-853-91	RES, CHIP 470K (1608)
Q409	8-729-029-14	TRANSISTOR DTC144EUA-T106	R202	1-216-833-91	RES, CHIP 10K (1608)	R401	1-218-969-81	RES, CHIP 22K (1608)	R475	1-216-857-91	RES, CHIP 1.0M (1608)
Q410	8-729-013-97	TRANSISTOR RN1304-TE85L	R216	1-216-809-91	RES, CHIP 100 (1608)	R402	1-216-837-91	RES, CHIP 22K (1608)	R476	1-216-845-91	RES, CHIP 100K (1608)
Q410	8-729-029-14	TRANSISTOR DTC144EUA-T106	R217	1-218-859-91	RES, CHIP 3.3K (1608)	R403	1-216-849-91	RES, CHIP 220K (1608)	R503	1-216-803-91	RES, CHIP 33 (1608)
Q411	8-729-043-74	TRANSISTOR SI4435DY-T1-REVA	R218	1-218-847-91	RES, CHIP 1.0K (1608)	R404	1-216-845-91	RES, CHIP 100K (1608)	R504	1-216-803-91	RES, CHIP 33 (1608)
Q411	8-729-053-93	TRANSISTOR FDS4435	R219	1-218-851-91	RES, CHIP 1.5K (1608)	R405	1-216-845-91	RES, CHIP 100K (1608)	R505	1-216-803-91	RES, CHIP 33 (1608)
Q411	8-729-054-36	TRANSISTOR UP1716G-E2	R220	1-218-933-81	RES, CHIP 22 (1608)	R406	1-216-811-91	RES, CHIP 150 (1608)	R506	1-216-809-91	RES, CHIP 100 (1608)
Q412	6-550-026-01	TRANSISTOR IRF7328-TR	R225	1-216-833-91	RES, CHIP 10K (1608)	R407	1-216-811-91	RES, CHIP 150 (1608)	R509	1-216-821-91	RES, CHIP 1.0K (1608)
Q412	6-550-036-01	TRANSISTOR FDS4935	R226	1-218-965-81	RES, CHIP 10K (1608)	R408	1-216-839-91	RES, CHIP 33K (1608)	R513	1-216-805-91	RES, CHIP 47 (1608)
Q413	8-729-054-34	TRANSISTOR FDN304P	R228	1-218-965-81	RES, CHIP 10K (1608)	R410	1-218-883-91	RES, CHIP 33K (1608)	R516	1-216-809-91	RES, CHIP 100 (1608)
Q413	8-729-054-38	TRANSISTOR IRLML6401-TR	R236	1-216-809-91	RES, CHIP 100 (1608)	R411	1-218-883-91	RES, CHIP 33K (1608)	R517	1-216-809-91	RES, CHIP 100 (1608)
Q413	8-759-593-78	IC SI2305DS-T1	R237	1-216-829-91	RES, CHIP 4.7K (1608)	R412	1-218-883-91	RES, CHIP 33K (1608)	R522	1-216-833-91	RES, CHIP 10K (1608)
Q415	8-729-052-41	TRANSISTOR 2SC4541 (2TL SONY1)	R244	1-218-831-91	RES, CHIP 220 (1608)	R413	1-218-883-91	RES, CHIP 33K (1608)	R531	1-216-809-91	RES, CHIP 100 (1608)
Q415	8-729-209-77	TRANSISTOR 2SC2873Y-TE12L	R245	1-218-831-91	RES, CHIP 220 (1608)	R415	1-216-839-91	RES, CHIP 33K (1608)	R574	1-216-812-91	RES, CHIP 180 (1608)
Q505	8-729-021-09	TRANSISTOR RN4904(TE85R)	R246	1-218-831-91	RES, CHIP 220 (1608)	R416	1-216-839-91	RES, CHIP 33K (1608)	R575	1-216-850-91	RES, CHIP 270K (1608)
Q506	8-729-056-15	TRANSISTOR IMH20T108	R247	1-216-801-91	RES, CHIP 22 (1608)	R417	1-216-813-91	RES, CHIP 220 (1608)	R576	1-216-833-91	RES, CHIP 10K (1608)
Q600	8-729-016-26	TRANSISTOR 2SK1958-T1	R251	1-216-837-91	RES, CHIP 22K (1608)	R418	1-216-817-91	RES, CHIP 470 (1608)	R577	1-216-818-91	RES, CHIP 560 (1608)
Q600	8-729-048-50	TRANSISTOR 2SK3018-T106	R252	1-216-839-91	RES, CHIP 33K (1608)	R419	1-216-833-91	RES, CHIP 10K (1608)	R578	1-216-818-91	RES, CHIP 560 (1608)
Q603	8-729-017-33	TRANSISTOR RN1706-TE85R	R253	1-216-833-91	RES, CHIP 10K (1608)	R420	1-216-833-91	RES, CHIP 10K (1608)	R579	1-216-833-91	RES, CHIP 10K (1608)
Q801	6-550-008-01	TRANSISTOR UM6K1N-TN	R257	1-216-824-91	RES, CHIP 1.8K (1608)	R421	1-216-790-91	RES, CHIP 2.7 (1608)	R580	1-216-850-91	RES, CHIP 270K (1608)
Q801	6-550-014-01	TRANSISTOR SSM6N15FU(TE85R)	R258	1-208-923-81	RES, CHIP 33K (1005)	R422	1-216-797-91	RES, CHIP 10 (1608)	R604	1-216-845-91	RES, CHIP 100K (1608)
Q801	6-550-017-01	TRANSISTOR XP0487800LS0	R259	1-216-824-91	RES, CHIP 1.8K (1608)	R423	1-216-790-91	RES, CHIP 2.7 (1608)	R613	1-216-833-91	RES, CHIP 10K (1608)
Q802	8-729-014-02	TRANSISTOR RN1306-TE85L	R261	1-218-961-81	RES, CHIP 4.7K (1608)	R424	1-216-797-91	RES, CHIP 10 (1608)	R614	1-216-833-91	RES, CHIP 10K (1608)
Q802	8-729-029-13	TRANSISTOR DTC143ZUA-T106	R263	1-216-825-91	RES, CHIP 2.2K (1608)	R426	1-218-879-91	RES, CHIP 22K (1608)	R619	1-216-833-91	RES, CHIP 10K (1608)
Q804	8-729-055-22	TRANSISTOR 2SA1734(TE12L)	R264	1-216-821-91	RES, CHIP 1.0K (1608)	R427	1-218-871-91	RES, CHIP 10K (1608)	R620	1-216-833-91	RES, CHIP 10K (1608)
Q804	8-729-103-96	TRANSISTOR 2SB798-T1DL	R265	1-216-821-91	RES, CHIP 1.0K (1608)	R428	1-216-309-91	RES, CHIP 5.6 (2012)	R623	1-216-837-91	RES, CHIP 22K (1608)
Q805	8-729-055-22	TRANSISTOR 2SA1734(TE12L)	R270	1-218-853-91	RES, CHIP 1.8K (1608)	R429	1-216-833-91	RES, CHIP 10K (1608)	R624	1-216-850-91	RES, CHIP 270K (1608)
Q805	8-729-103-96	TRANSISTOR 2SB798-T1DL	R272	1-218-859-91	RES, CHIP 3.3K (1608)	R430	1-216-813-91	RES, CHIP 220 (1608)	R625	1-216-864-91	CONDUCTOR, CHIP (1608)
Q806	8-729-016-26	TRANSISTOR 2SK1958-T1	R273	1-218-851-91	RES, CHIP 1.5K (1608)	R431	1-216-813-91	RES, CHIP 220 (1608)	R627	1-216-837-91	RES, CHIP 22K (1608)
Q806	8-729-048-50	TRANSISTOR 2SK3018-T106	R277	1-218-853-91	RES, CHIP 1.8K (1608)	R432	1-216-829-91	RES, CHIP 4.7K (1608)	R630	1-216-837-91	RES, CHIP 22K (1608)
Q808	6-550-008-01	TRANSISTOR UM6K1N-TN	R278	1-218-859-91	RES, CHIP 3.3K (1608)	R433	1-216-829-91	RES, CHIP 4.7K (1608)	R636	1-216-864-91	CONDUCTOR, CHIP (1608)
Q808	6-550-014-01	TRANSISTOR SSM6N15FU(TE85R)	R279	1-218-851-91	RES, CHIP 1.5K (1608)	R434	1-216-810-91	RES, CHIP 120 (1608)	R640	1-216-864-91	CONDUCTOR, CHIP (1608)
Q808	6-550-017-01	TRANSISTOR XP0487800LS0	R292	1-216-833-91	RES, CHIP 10K (1608)	R435	1-216-810-91	RES, CHIP 120 (1608)	R644	1-216-837-91	RES, CHIP 22K (1608)
Q814	8-729-014-02	TRANSISTOR RN1306-TE85L	R294	1-216-829-91	RES, CHIP 4.7K (1608)	R438	1-218-850-91	RES, CHIP 1.3K (1608)	R649	1-216-833-91	RES, CHIP 10K (1608)
Q814	8-729-029-13	TRANSISTOR DTC143ZUA-T106	R307	1-208-857-81	RES, CHIP 56 (1005)	R439	1-218-857-91	RES, CHIP 2.7K (1608)	R651	1-216-835-91	RES, CHIP 15K (1608)
		<RESISTOR>	R308	1-208-904-81	RES, CHIP 5.1K (1005)	R440	1-218-859-91	RES, CHIP 3.3K (1608)	R653	1-216-845-91	RES, CHIP 100K (1608)
R101	1-220-884-81	RES, CHIP 39 (1005)	R309	1-211-987-91	RES, CHIP 56 (1608)	R441	1-218-879-91	RES, CHIP 22K (1608)	R654	1-216-845-91	RES, CHIP 100K (1608)
R102	1-208-866-81	RES, CHIP 130 (1005)	R310	1-211-987-91	RES, CHIP 56 (1608)	R442	1-218-869-91	RES, CHIP 8.2K (1608)	R657	1-216-839-91	RES, CHIP 33K (1608)
R103	1-220-884-81	RES, CHIP 39 (1005)	R311	1-216-829-91	RES, CHIP 4.7K (1608)	R443	1-218-865-91	RES, CHIP 5.6K (1608)	R658	1-216-833-91	RES, CHIP 10K (1608)
R104	1-208-866-81	RES, CHIP 130 (1005)	R312	1-208-857-81	RES, CHIP 56 (1005)	R444	1-218-881-91	RES, CHIP 27K (1608)	R660	1-216-833-91	RES, CHIP 10K (1608)
R106	1-216-809-91	RES, CHIP 100 (1608)	R315	1-218-866-91	RES, CHIP 6.2K (1608)	R445	1-218-849-91	RES, CHIP 1.2K (1608)	R661	1-216-833-91	RES, CHIP 10K (1608)
R107	1-216-809-91	RES, CHIP 100 (1608)	R316	1-216-797-91	RES, CHIP 10 (1608)	R446	1-216-817-91	RES, CHIP 470 (1608)	R667	1-216-861-91	RES, CHIP 2.2M (1608)
R109	1-218-961-81	RES, CHIP 4.7K (1608)	R320	1-219-570-91	RES, CHIP 10M (1608)	R447	1-216-817-91	RES, CHIP 470 (1608)	R668	1-216-853-91	RES, CHIP 470K (1608)
R110	1-211-983-91	RES, CHIP 39 (1608)	R321	1-216-813-91	RES, CHIP 220 (1608)	R448	1-218-965-81	RES, CHIP 10K (1608)	R669	1-216-845-91	RES, CHIP 100K (1608)
R111	1-211-983-91	RES, CHIP 39 (1608)	R322	1-216-857-91	RES, CHIP 1.0M (1608)	R449	1-216-833-91	RES, CHIP 10K (1608)	R670	1-216-833-91	RES, CHIP 10K (1608)
R112	1-211-989-91	RES, CHIP 68 (1608)	R324	1-216-833-91	RES, CHIP 10K (1608)	R450	1-216-817-91	RES, CHIP 470 (1608)	R671	1-216-827-91	RES, CHIP 3.3K (1608)
R113	1-211-989-91	RES, CHIP 68 (1608)	R327	1-216-833-91	RES, CHIP 10K (1608)	R451	1-218-949-81	RES, CHIP 470 (1608)	R672	1-218-888-91	RES, CHIP 51K (1608)
R114	1-211-983-91	RES, CHIP 39 (1608)	R328	1-216-841-91	RES, CHIP 47K (1608)	R452	1-216-797-91	RES, CHIP 10 (1608)	R673	1-216-827-91	RES, CHIP 3.3K (1608)
R115	1-211-983-91	RES, CHIP 39 (1608)	R329	1-216-805-91	RES, CHIP 47 (1608)	R453	1-216-797-91	RES, CHIP 10 (1608)	R674	1-216-845-91	RES, CHIP 100K (1608)
R116	1-211-983-91	RES, CHIP 39 (1608)	R330	1-211-973-91	RES, CHIP 15 (1608)	R454	1-216-797-91	RES, CHIP 10 (1608)	R675	1-216-839-91	RES, CHIP 33K (1608)
R117	1-211-983-91	RES, CHIP 39 (1608)	R331	1-216-805-91	RES, CHIP 47 (1608)	R455	1-216-845-91	RES, CHIP 100K (1608)	R678	1-216-829-91	RES, CHIP 4.7K (1608)
R118	1-211-973-91	RES, CHIP 15 (1608)	R347	1-211-986-91	RES, CHIP 51 (1608)	R456	1-216-821-91	RES, CHIP 1.0K (1608)	R689	1-216-845-91	RES, CHIP 100K (1608)
R119	1-211-973-91	RES, CHIP 15 (1608)	R349	1-216-821-91	RES, CHIP 1.0K (1608)	R457	1-218-887-91	RES, CHIP 47K (1608)	R694		

Ref.	Part No.	Description	
R698	1-216-835-91	RES, CHIP 15K	(1608)
R699	1-216-833-91	RES, CHIP 10K	(1608)
R805	1-216-809-91	RES, CHIP 100	(1608)
R806	1-216-833-91	RES, CHIP 10K	(1608)
R807	1-216-809-91	RES, CHIP 100	(1608)
R808	1-216-833-91	RES, CHIP 10K	(1608)
R813	1-216-158-91	RES, CHIP 22	(3216)
R814	1-216-158-91	RES, CHIP 22	(3216)
R815	1-216-797-91	RES, CHIP 10	(1608)
R816	1-216-158-91	RES, CHIP 22	(3216)
R817	1-216-158-91	RES, CHIP 22	(3216)
R818	1-216-797-91	RES, CHIP 10	(1608)
R819	1-218-889-91	RES, CHIP 56K	(1608)
R820	1-218-881-91	RES, CHIP 27K	(1608)
R821	1-218-881-91	RES, CHIP 27K	(1608)
R822	1-218-881-91	RES, CHIP 27K	(1608)
R823	1-218-890-91	RES, CHIP 62K	(1608)
R826	1-218-871-91	RES, CHIP 10K	(1608)
R827	1-218-871-91	RES, CHIP 10K	(1608)
R828	1-218-881-91	RES, CHIP 27K	(1608)
R830	1-216-815-91	RES, CHIP 330	(1608)
R831	1-216-810-91	RES, CHIP 120	(1608)
R834	1-208-911-81	RES, CHIP 10K	(1005)
R837	1-208-922-81	RES, CHIP 30K	(1005)
R838	1-208-922-81	RES, CHIP 30K	(1005)
R840	1-208-916-81	RES, CHIP 16K	(1005)
R843	1-208-922-81	RES, CHIP 30K	(1005)
R846	1-208-922-81	RES, CHIP 30K	(1005)
R847	1-218-977-81	RES, CHIP 100K	(1005)
R850	1-208-911-81	RES, CHIP 10K	(1005)
R851	1-208-916-81	RES, CHIP 16K	(1005)
R852	1-218-873-91	RES, CHIP 12K	(1608)
R853	1-216-298-91	RES, CHIP 2.2	(2012)
R854	1-216-298-91	RES, CHIP 2.2	(2012)
R855	1-216-298-91	RES, CHIP 2.2	(2012)
R856	1-216-298-91	RES, CHIP 2.2	(2012)
R866	1-216-845-91	RES, CHIP 100K	(1608)
R868	1-216-849-91	RES, CHIP 220K	(1608)
R870	1-216-849-91	RES, CHIP 220K	(1608)
R871	1-218-896-91	RES, CHIP 110K	(1608)
R872	1-216-844-91	RES, CHIP 82K	(1608)
R873	1-216-839-91	RES, CHIP 33K	(1608)
R874	1-216-828-91	RES, CHIP 3.9K	(1608)
R875	1-216-023-91	RES, CHIP 82	(2012)
R876	1-216-023-91	RES, CHIP 82	(2012)
R877	1-216-023-91	RES, CHIP 82	(2012)
R878	1-216-023-91	RES, CHIP 82	(2012)
R879	1-216-023-91	RES, CHIP 82	(2012)
R880	1-216-023-91	RES, CHIP 82	(2012)
R881	1-216-023-91	RES, CHIP 82	(2012)
R882	1-216-023-91	RES, CHIP 82	(2012)
R901	1-218-937-81	RES, CHIP 47	(1608)
R902	1-218-937-81	RES, CHIP 47	(1608)
R974	1-216-801-91	RES, CHIP 22	(1608)
R975	1-216-801-91	RES, CHIP 22	(1608)
<RESISTOR BLOCK>			
RB101	1-234-496-21	ARRAY, RESISTOR 39	
RB102	1-234-496-21	ARRAY, RESISTOR 39	
RB103	1-234-496-21	ARRAY, RESISTOR 39	
RB104	1-234-496-21	ARRAY, RESISTOR 39	
RB105	1-234-496-21	ARRAY, RESISTOR 39	
RB106	1-234-496-21	ARRAY, RESISTOR 39	
RB107	1-234-710-21	RES, CHIP NETWORK 47X8	(3816)
RB109	1-233-423-21	RES, CHIP NETWORK 47	(3216)
RB110	1-234-710-21	RES, CHIP NETWORK 47X8	(3816)
RB112	1-233-423-21	RES, CHIP NETWORK 47	(3216)

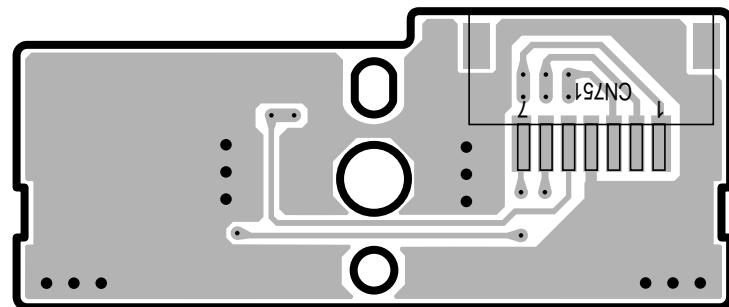
Ref.	Part No.	Description	
RB113	1-234-710-21	RES, CHIP NETWORK 47X8	(3816)
RB114	1-234-710-21	RES, CHIP NETWORK 47X8	(3816)
RB117	1-234-710-21	RES, CHIP NETWORK 47X8	(3816)
RB118	1-234-710-21	RES, CHIP NETWORK 47X8	(3816)
RB121	1-233-423-21	RES, CHIP NETWORK 47	(3216)
RB122	1-233-423-21	RES, CHIP NETWORK 47	(3216)
RB123	1-234-710-21	RES, CHIP NETWORK 47X8	(3816)
RB124	1-234-710-21	RES, CHIP NETWORK 47X8	(3816)
RB130	1-233-423-21	RES, CHIP NETWORK 47	(3216)
RB131	1-233-423-21	RES, CHIP NETWORK 47	(3216)
RB132	1-234-710-21	RES, CHIP NETWORK 47X8	(3816)
RB133	1-234-710-21	RES, CHIP NETWORK 47X8	(3816)
RB135	1-234-710-21	RES, CHIP NETWORK 47X8	(3816)
RB139	1-233-414-21	RES, CHIP NETWORK 4.7K	(3216)
RB294	1-233-414-21	RES, CHIP NETWORK 4.7K	(3216)
RB295	1-233-412-21	RES, CHIP NETWORK 1.0K	(3216)
RB296	1-234-598-21	RES, CHIP NETWORK 75X4	(3216)
RB297	1-234-599-21	RES, CHIP NETWORK 180X4	(3216)
RB298	1-234-598-21	RES, CHIP NETWORK 75X4	(3216)
RB303	1-233-412-21	RES, CHIP NETWORK 1.0K	(3216)
RB305	1-233-575-21	RES, CHIP NETWORK 22	
RB310	1-233-414-21	RES, CHIP NETWORK 4.7K	(3216)
RB311	1-233-679-91	RES, NETWORK 470	(1608)
RB312	1-233-786-91	RES, NETWORK 220	(1608)
RB314	1-233-681-91	RES, NETWORK 4.7K	(1608)
RB317	1-233-423-21	RES, CHIP NETWORK 47	(3216)
RB318	1-233-423-21	RES, CHIP NETWORK 47	(3216)
RB319	1-233-423-21	RES, CHIP NETWORK 47	(3216)
RB320	1-233-423-21	RES, CHIP NETWORK 47	(3216)
RB321	1-233-423-21	RES, CHIP NETWORK 47	(3216)
RB322	1-233-412-21	RES, CHIP NETWORK 1.0K	(3216)
RB323	1-233-412-21	RES, CHIP NETWORK 1.0K	(3216)
RB324	1-233-412-21	RES, CHIP NETWORK 1.0K	(3216)
RB325	1-233-412-21	RES, CHIP NETWORK 1.0K	(3216)
RB326	1-233-412-21	RES, CHIP NETWORK 1.0K	(3216)
RB327	1-233-415-21	RES, CHIP NETWORK 10K	(3216)
RB328	1-233-414-21	RES, CHIP NETWORK 4.7K	(3216)
RB329	1-233-783-91	RES, NETWORK 22	(1608)
RB332	1-233-575-21	RES, CHIP NETWORK 22	
RB402	1-233-803-91	RES, NETWORK 1.5K	(1608)
RB403	1-233-789-91	RES, NETWORK 10K	(1608)
RB405	1-233-803-91	RES, NETWORK 1.5K	(1608)
RB406	1-233-792-91	RES, NETWORK 100K	(1608)
RB408	1-233-415-21	RES, CHIP NETWORK 10K	(3216)
RB409	1-233-415-21	RES, CHIP NETWORK 10K	(3216)
RB410	1-233-415-21	RES, CHIP NETWORK 10K	(3216)
RB511	1-233-423-21	RES, CHIP NETWORK 47	(3216)
RB517	1-234-711-21	RES, CHIP NETWORK 22X8	(3816)
RB519	1-234-711-21	RES, CHIP NETWORK 22X8	(3816)
RB521	1-234-711-21	RES, CHIP NETWORK 22X8	(3816)
RB523	1-234-711-21	RES, CHIP NETWORK 22X8	(3816)
RB525	1-234-711-21	RES, CHIP NETWORK 22X8	(3816)
RB527	1-234-711-21	RES, CHIP NETWORK 22X8	(3816)
RB529	1-234-711-21	RES, CHIP NETWORK 22X8	(3816)
RB531	1-234-711-21	RES, CHIP NETWORK 22X8	(3816)
RB602	1-233-415-21	RES, CHIP NETWORK 10K	(3216)
RB603	1-233-415-21	RES, CHIP NETWORK 10K	(3216)
RB606	1-233-412-21	RES, CHIP NETWORK 1.0K	(3216)
RB607	1-233-415-21	RES, CHIP NETWORK 10K	(3216)
RB609	1-233-423-21	RES, CHIP NETWORK 47	(3216)
RB611	1-233-415-21	RES, CHIP NETWORK 10K	(3216)
RB612	1-233-789-91	RES, NETWORK 10K	(1608)
RB613	1-233-789-91	RES, NETWORK 10K	(1608)
RB803	1-233-415-21	RES, CHIP NETWORK 10K	(3216)

Ref.	Part No.	Description
<THERMISTOR>		
△ TH001	1-533-817-21	THERMISTOR
△ TH001	1-804-384-21	THERMISTOR, POSITIVE
△ TH002	1-533-817-21	THERMISTOR
△ TH002	1-804-384-21	THERMISTOR, POSITIVE
△ TH003	1-533-817-21	THERMISTOR
△ TH003	1-804-384-21	THERMISTOR, POSITIVE
<CRYSTAL>		
X101	1-781-640-21	VIBRATOR, CRYSTAL
X101	1-781-640-41	VIBRATOR, CRYSTAL
X202	1-781-857-21	OSCILLATOR, CRYSTAL
X202	1-781-857-41	OSCILLATOR, CRYSTAL
X301	1-781-856-21	VIBRATOR, CRYSTAL
X301	1-781-856-41	VIBRATOR, CRYSTAL
X302	1-781-768-21	VIBRATOR, CRYSTAL
X401	1-760-496-22	VIBRATOR, LITHIUM NIOBATE
X402	1-760-928-41	VIBRATOR, CRYSTAL
X402	1-767-300-21	VIBRATOR, CRYSTAL
X402	1-781-266-41	VIBRATOR, CRYSTAL
X402	1-781-266-61	VIBRATOR, CRYSTAL

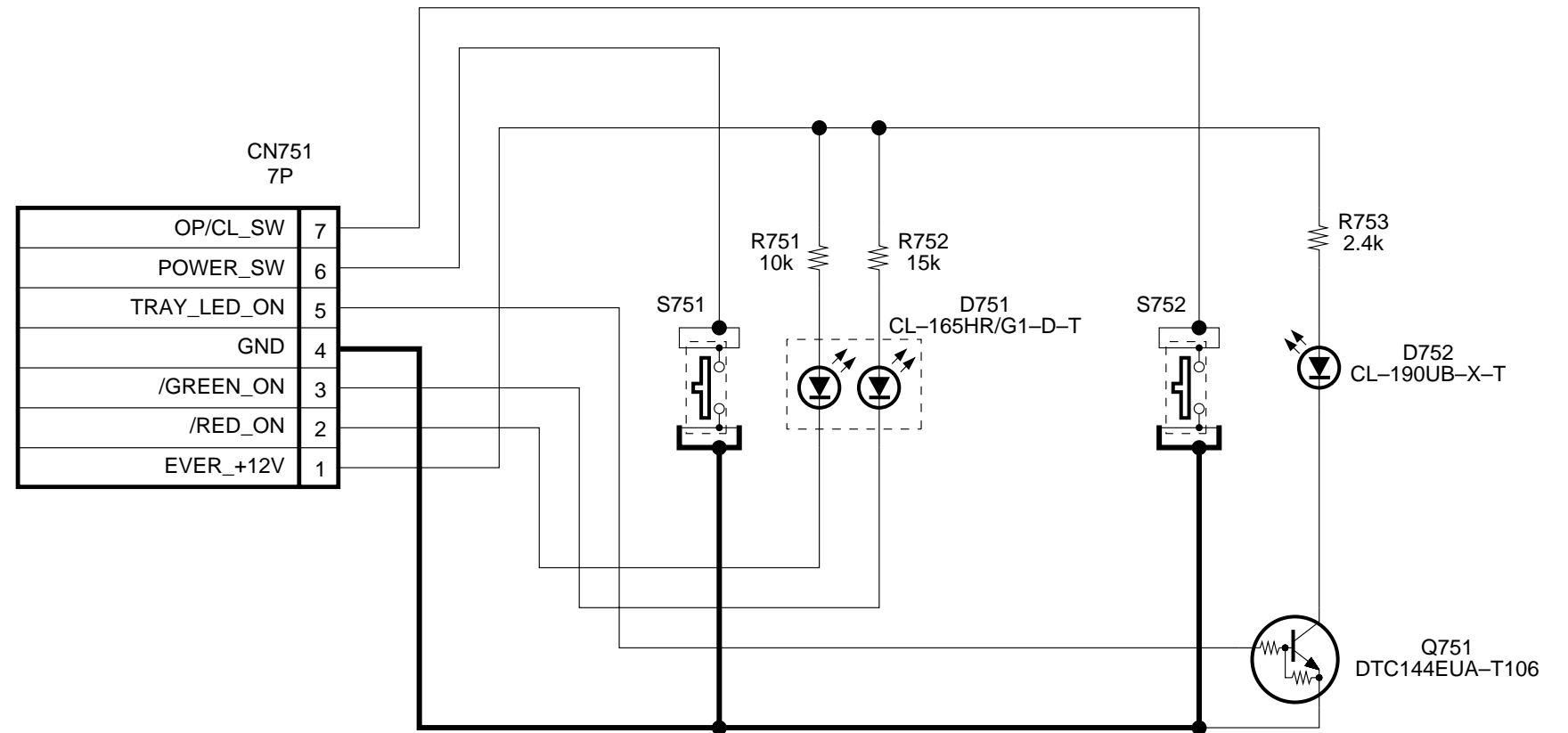
SWITCH MOUNT



SW-365
A side



SW-365
B side



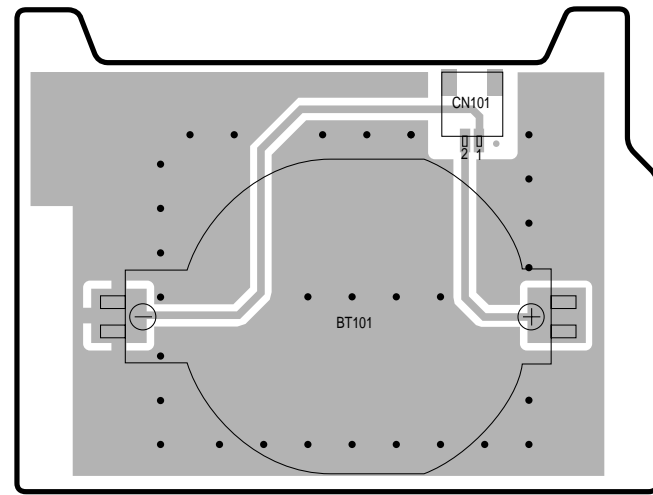
SW-365

SWITCH MOUNTED CIRCUIT BOARD

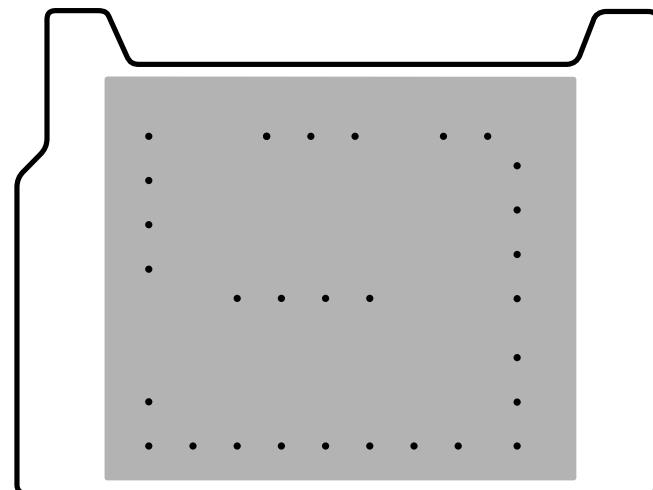
Ref-No.	Part No.	Description	Remark	Place code
53	A-6714-472-A	SW-365 MOUNT	for SWITCH ASSY BLOCK(A-6705-426-A)	#25SW
CN751	1-785-470-21	CONNECTOR, FPC(LIF(NON-ZIF))7P		#25SW
D751	8-719-078-90	DIODE CL-165HR/G1-D-T		#25SW
D752	8-719-080-04	DIODE CL-190UB-X-T		#25SW
Q751	8-729-013-97	TRANSISTOR RN1304-TE85L		#25SW
Q751	8-729-029-14	TRANSISTOR DTC144EUA-T106		#25SW
R751	1-216-833-91	RES, CHIP 10K (1608)		#25SW
R752	1-216-835-91	RES, CHIP 15K (1608)		#25SW
R753	1-216-993-91	RES, CHIP 2.4K (1608)		#25SW
S751	1-771-917-21	SWITCH, TACTILE		#25SW
S752	1-771-917-21	SWITCH, TACTILE		#25SW

Reproduction Prohibited

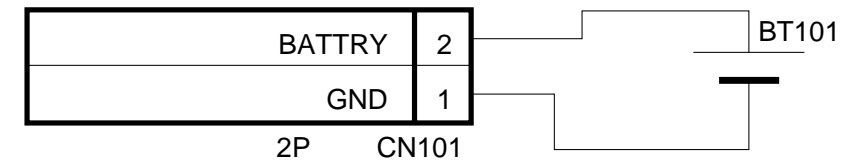
GB MOUNT



GB-005
A side



GB-005
B side



GB-005

GB MOUNTED CIRCUIT BOARD


<u>Ref-No.</u>	<u>Part No.</u>	<u>Description</u>	<u>Remark</u>	<u>Place code</u>
GB005	A-6714-473-A	GB-005 MOUNT		#25GB
BT101	1-756-076-21	HOLDER, LITHIUM BATTERY		#25GB
CN101	1-815-648-21	PIN, CONNECTOR (PC BOARD) 2P		#25GB

Reproduction Prohibited

SECTION 7 PRINTED WIRING BOARDS AND SCHEMATIC DIAGRAMS for GH014 R MOUNT

THIS NOTE IS COMMON FOR PRINTED WIRING BOARDS AND SCHEMATIC DIAGRAMS.

Note on Printed Wiring Boards :

- Through hole is omitted.
-  : Pattern on the side which is seen.

Note on Schematic Diagram :

- Use caution when replacing chip parts.
New parts must be attached after removal of chip.
Be careful not to heat the minus side of tantalum capacitor, because it is damaged by the heat.
- All capacitors are in μF unless otherwise noted. pF : $\mu\mu\text{F}$ 50 WV or less are not indicated except for electrolytics and tantalums.
- All resistors are in Ω and 1/4 W (Chip resistors : 1/10W) unless otherwise specified.
- Chip resistors are 1/8 W or 1/10 W unless otherwise noted.
k Ω : 1000 Ω , M Ω : 1000 k Ω .

Note :





The components identified by mark \triangle or dotted line with mark \triangle are critical for safety. Replace only with part number specified.

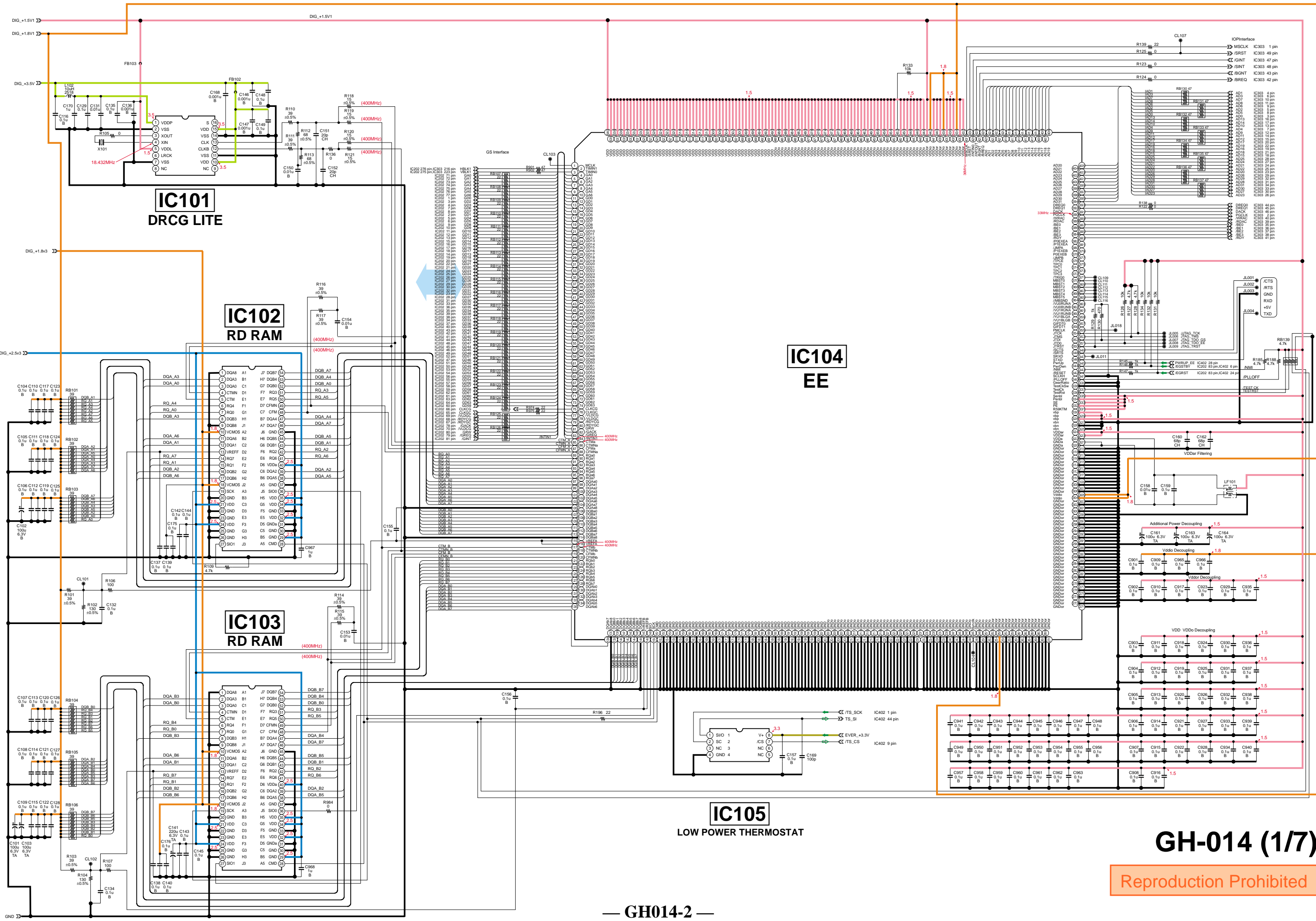
Note :

Les composants identifiés par une marque \triangle sont critiques pour la sécurité. Ne les remplacer que par une pièce portant le numéro spécifié.

Note on DC Power line :

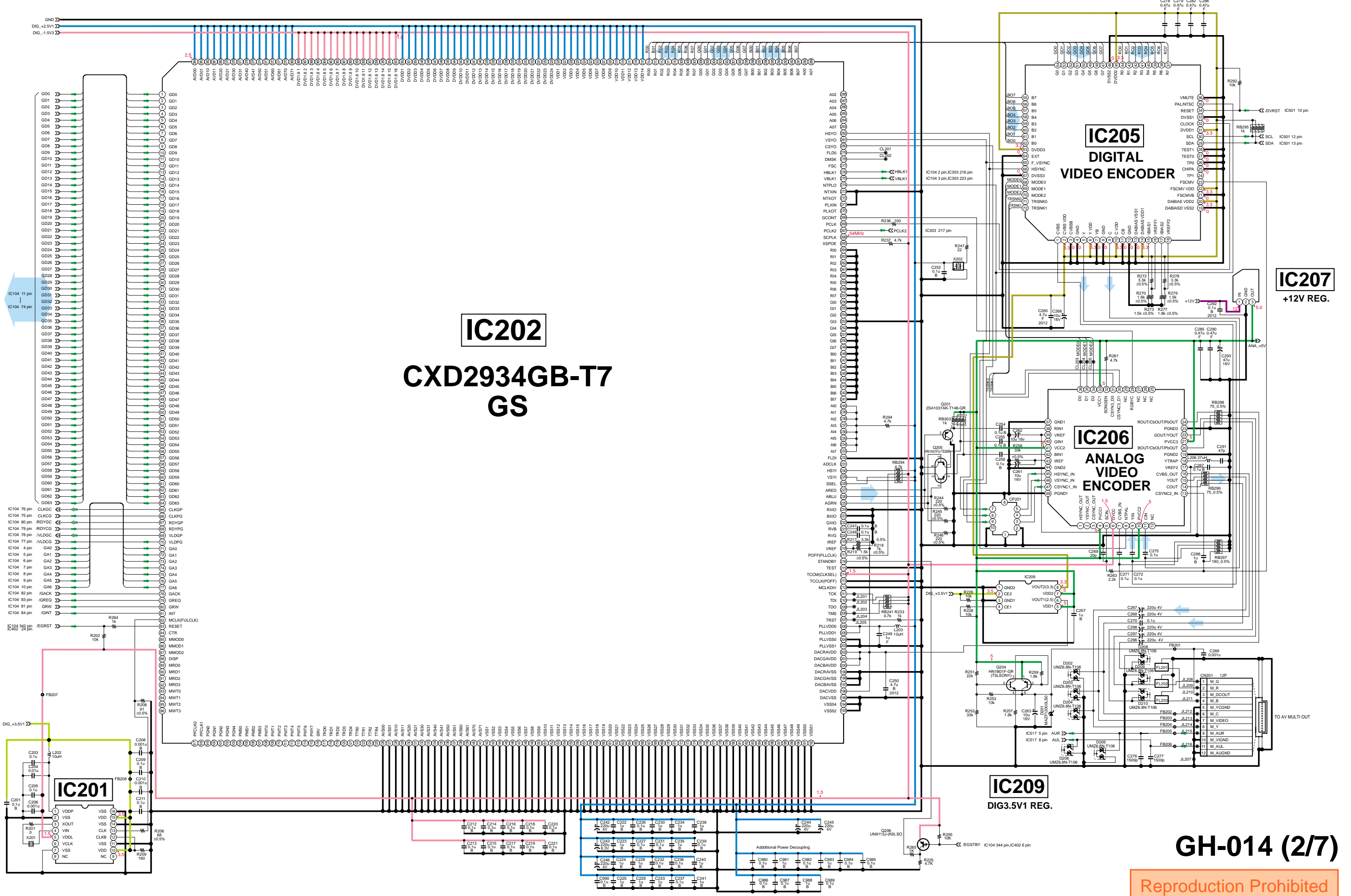
Unit of voltage is V (volt)

- | | |
|---|---|
| • +12V :  | • +3.3V :  |
| • +8.0V :  | • +2.5V :  |
| • +5.0V :  | • +1.8V :  |
| • +3.5V :  | • VC :  |
| | • +1.5V :  |
-
- | | |
|---|--|
| • IN :  | • Main Signal Line :  |
| • OUT :  | |



GH-014 (1/7)

Reproduction Prohibited



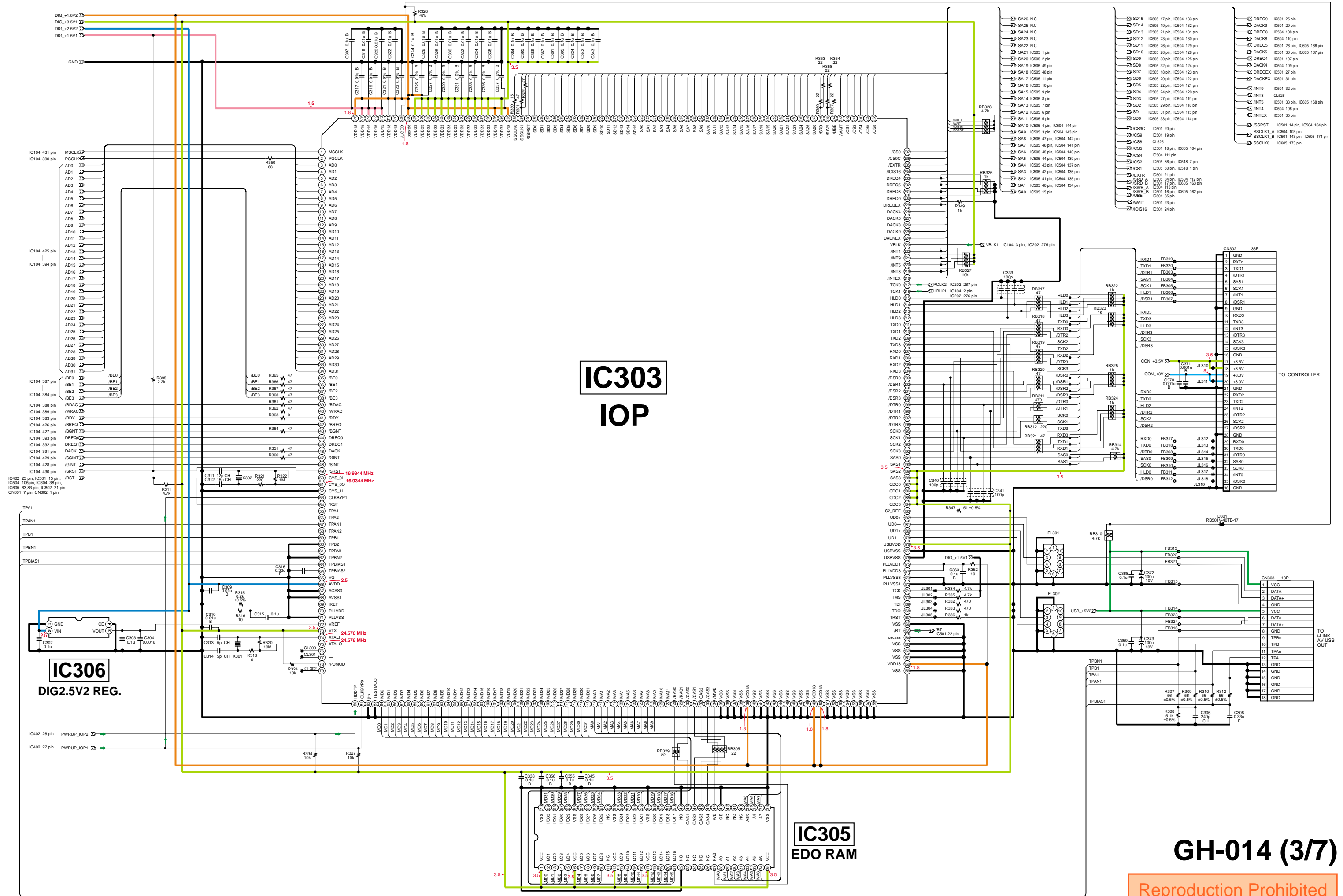
IC202
CXD2934GB-T7
GS

IC205
DIGITAL
VIDEO ENCODER

IC206
ANALOG
VIDEO ENCODER

IC209
DIG3.5V1V REG.

IC207
+12V REG.



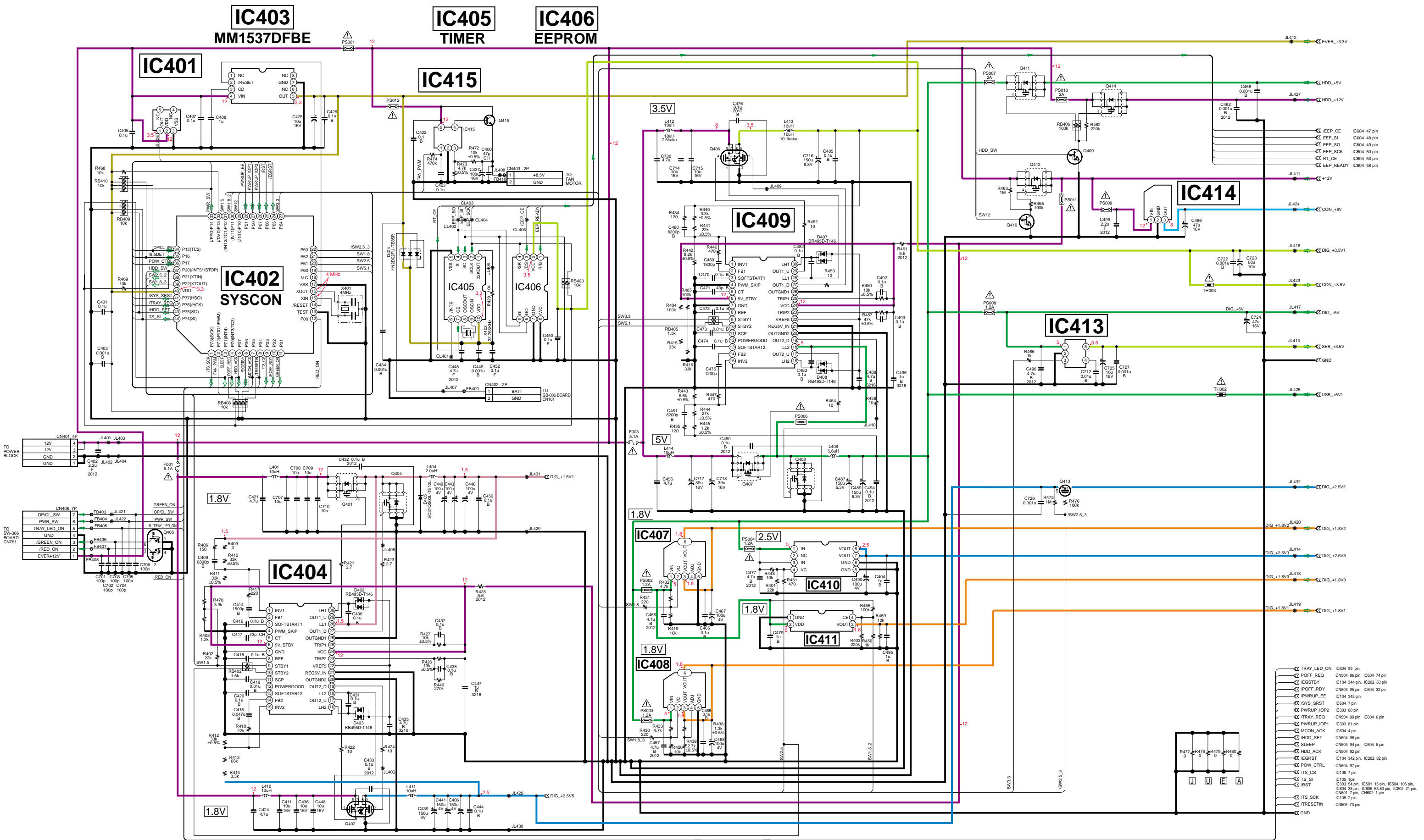
IC303 IOP

IC306 DIG2.5V2 REG.

IC305 EDO RAM

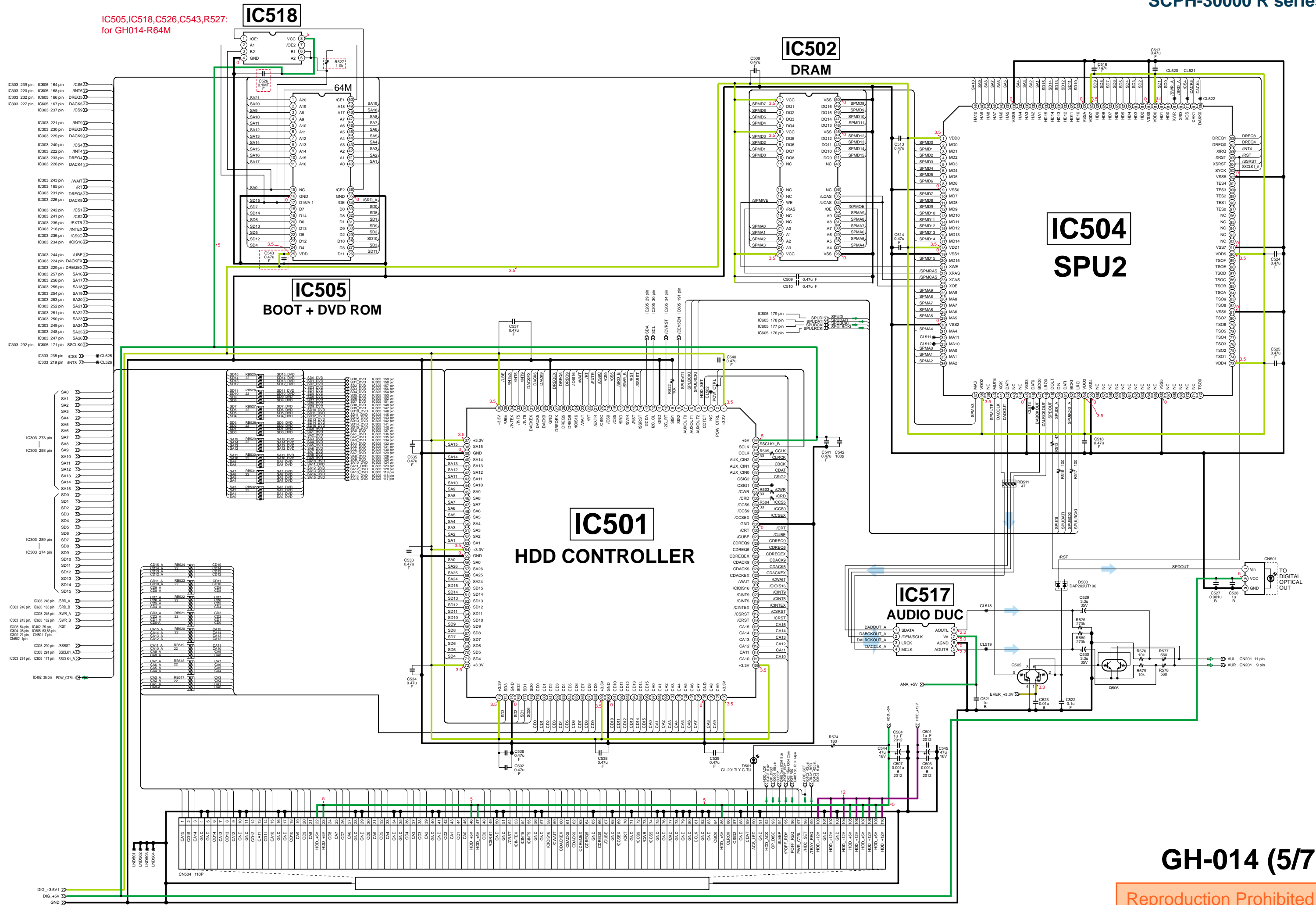
GH-014 (3/7)

Reproduction Prohibited



- ← EVER +3.3V
- ← HDD_+5V
- ← HDD_+12V
- ← EEP_CE IC604 47 pin
- ← EEP_SI IC604 48 pin
- ← EEP_SO IC604 49 pin
- ← EEP_SCK IC604 50 pin
- ← RT_CE IC604 53 pin
- ← EEP_READY IC604 58 pin
- ← +12V
- ← CON_+8V
- ← DIG_+3.5V/1
- ← DIG_+5V
- ← SER_+3.5V
- ← GND
- ← USB_+5V1
- ← DIG_+2.5V2
- ← DIG_+1.8V2
- ← DIG_+1.8V3
- ← DIG_+1.8V3
- ← DIG_+1.8V3
- ← DIG_+1.8V1
- ← TRAY_LED_ON IC604 99 pin
- ← POFV_REQ IC604 96 pin, IC604 74 pin
- ← EGSTBY IC104 344 pin, IC202 83 pin
- ← POFV_RDY IC604 95 pin, IC604 32 pin
- ← PWRUP_EE IC104 345 pin
- ← SYS_SRST IC604 7 pin
- ← PWRUP_IOP2 IC303 80 pin
- ← TRAY_REQ IC604 99 pin, IC604 6 pin
- ← PWRUP_IOP1 IC303 81 pin
- ← MCON_ACK IC604 4 pin
- ← HDD_SET IC604 98 pin
- ← SLEEP IC604 94 pin, IC604 5 pin
- ← HDD_ACK IC604 92 pin
- ← EGRST IC104 342 pin, IC202 82 pin
- ← POW_CTRL IC604 97 pin
- ← TS_CS IC105 7 pin
- ← TS_SI IC105 1 pin
- ← IC303 54 pin, IC501 15 pin, IC604 105 pin, IC604 59 pin, IC605 63.5 pin, IC602 21 pin, IC601 7 pin, IC602 1 pin
- ← TRSETIN IC605 73 pin
- ← GND

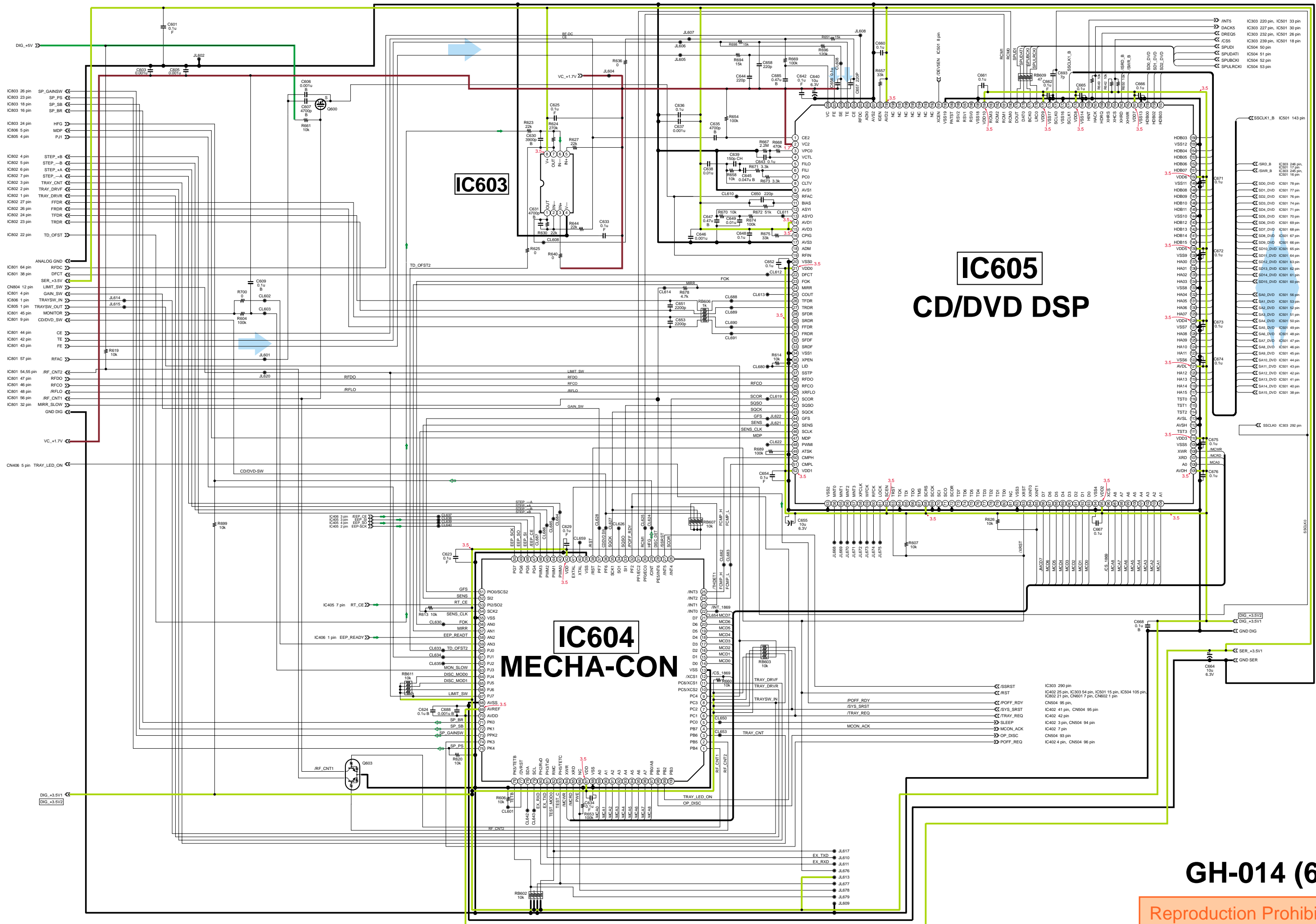
IC505, IC518, C526, C543, R527:
for GH014-R64M



GH-014 (5/7)

Reproduction Prohibited

TO HARD DISK DRIVE



GH-014 (6/7)

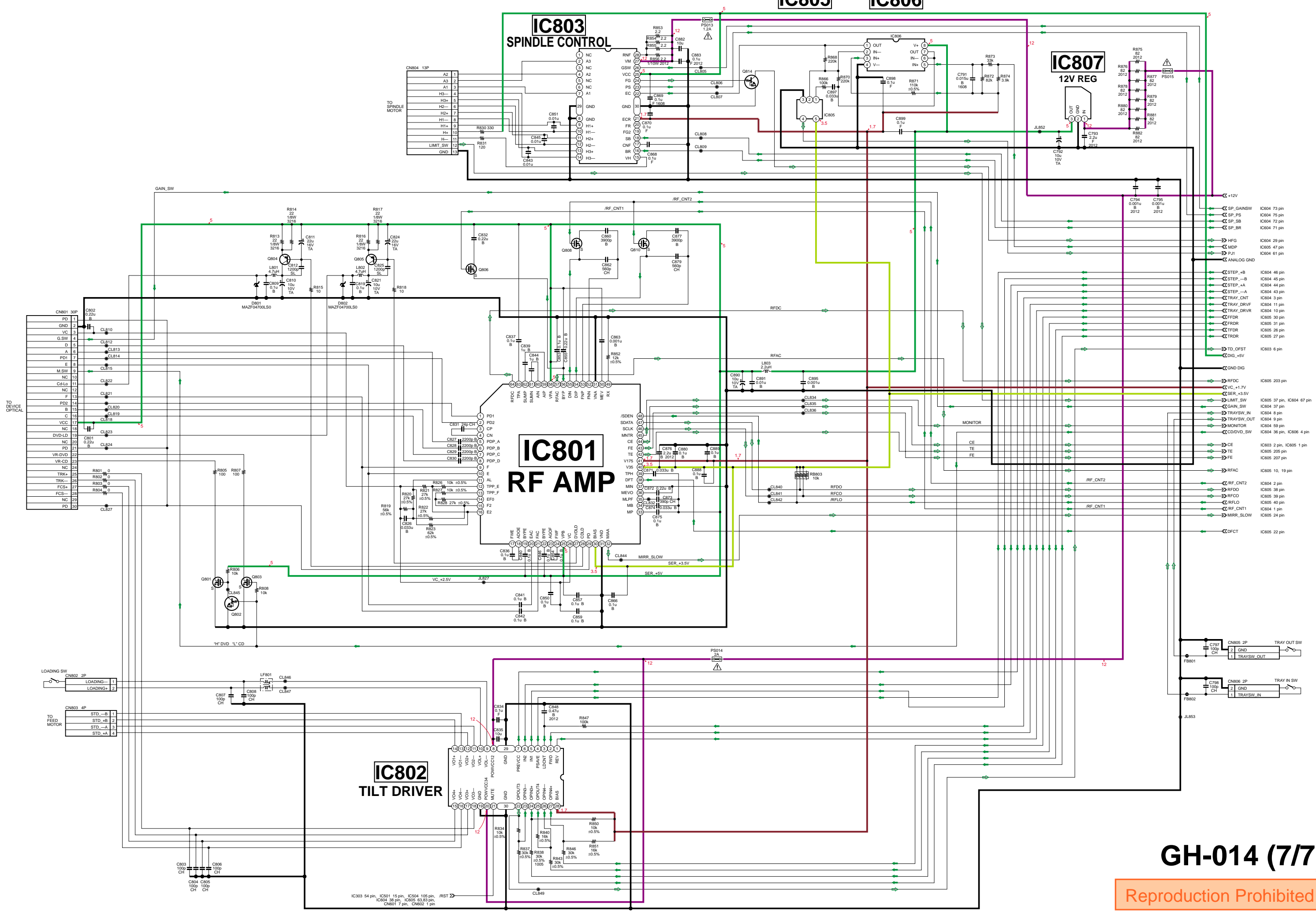
Reproduction Prohibited

IC803 SPINDLE CONTROL

IC807 12V REG

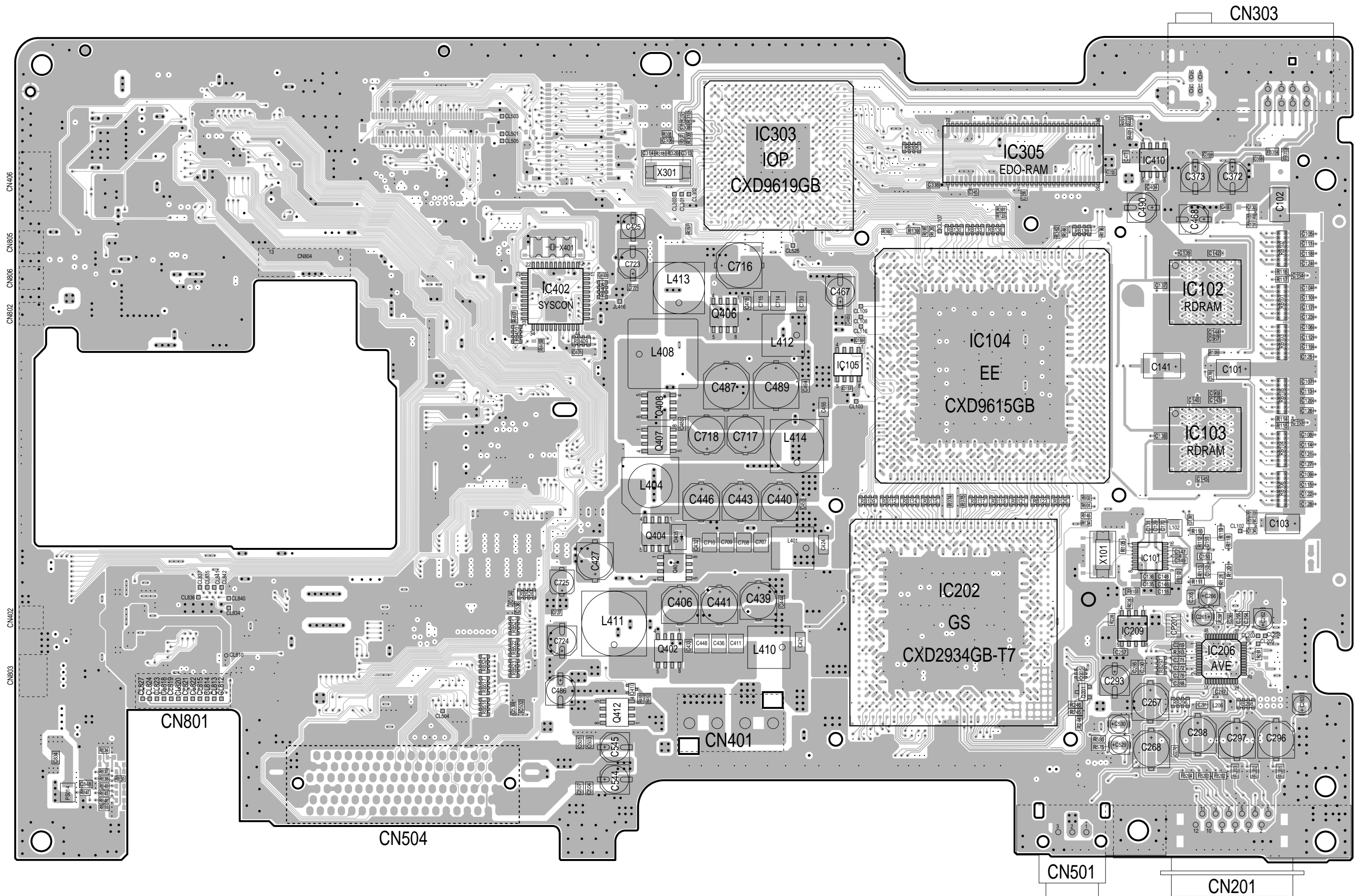
IC801 RF AMP

IC802 TILT DRIVER



GH-014 (7/7)

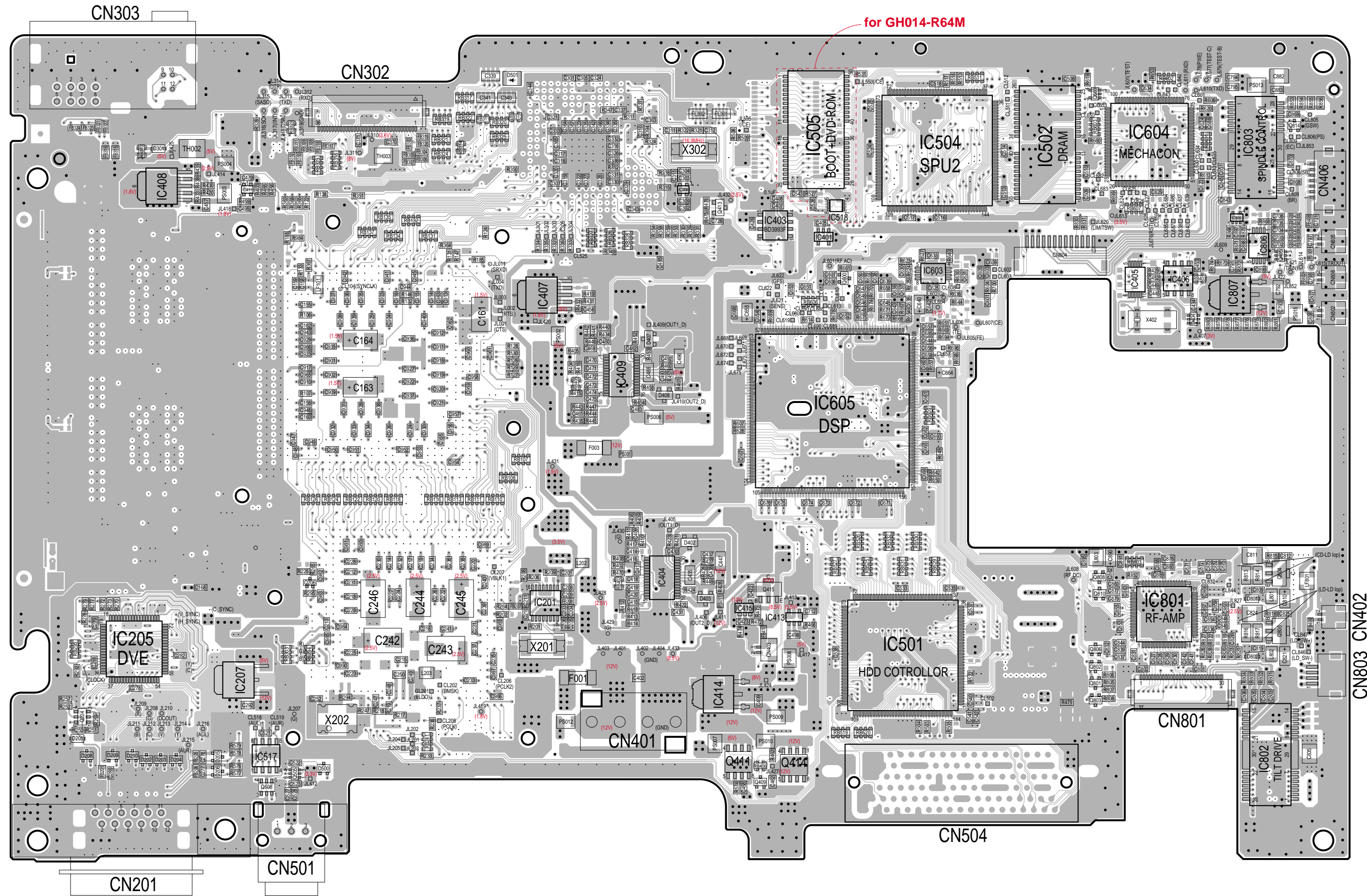
Reproduction Prohibited



GH-014
A side
— GH014-9 —

Reproduction Prohibited

for GH014-R64M



GH-014
B side
— GH014-10 —

Reproduction Prohibited

ELECTRICAL PARTS LIST for GH014 MOUNT

NOTE :

- Due to standardization, replacements in the parts list may be different from the parts specified in the diagrams or the components used on the set.
• -XX and -X mean standardized parts, so they may have some difference from the original one.
• RESISTORS METAL : Metal-film resistor. F : nonflammable Unit is Ω.

• SEMICONDUCTORS

- In each case, u : μ, for example :
uA . . : μA . . uPA . . : μPA . .
uPB . . : μPB . . uPC . . : μPC . . uPD . . : μPD . .
• CAPACITORS uF : μF
• COILS uH : μH

The components identified by mark Δ or dotted line with mark. Δ are critical for safety. Replace only with part number specified.

Dissimilarity Parts Lis for GH014 MOUNT on SCPH-30003 R/-30004 R series

Table with columns: Ref., Part No., Description, Remarks. Contains parts like IC604, IC505, IC518, C526, C543, R527, IC403, C408, IC801, R640, TH003, C291, L206, FB409, FB410, R479.

Common Parts Lis for GH014 MOUNT on SCPH-30003 R/-30004 R series

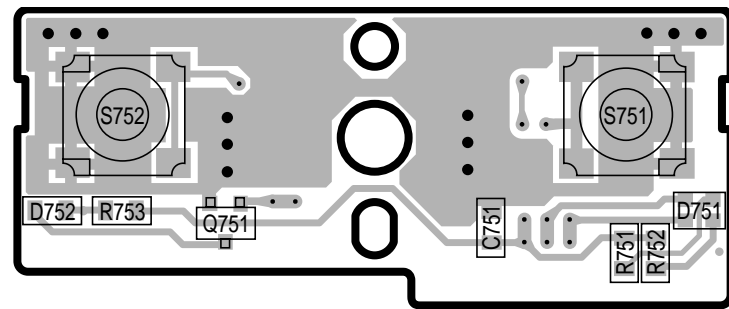
Table with columns: Ref., Part No., Description, Remarks. Contains parts like PWB, C101-C110, C111-C115, C116-C120, C121-C125, C126-C137, C138-C142, C143-C147.

Table with columns: Ref., Part No., Description. Contains parts C148-C157, C158-C162, C163-C170, C175-C204, C205-C210, C211-C215, C216-C220, C221-C225, C226-C230, C231-C235, C236-C240, C241-C246.

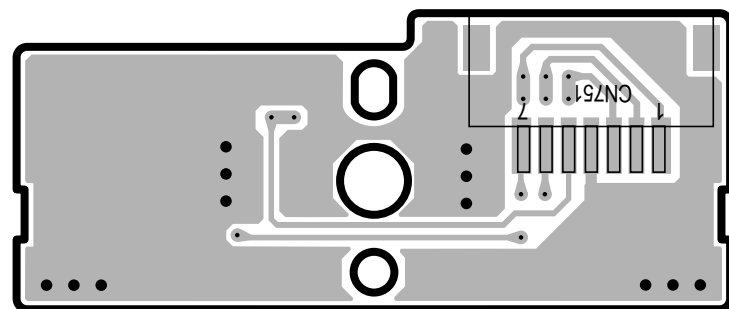
Table with columns: Ref., Part No., Description. Contains parts C247-C250, C252-C257, C261-C266, C267-C271, C272-C278, C279-C287, C288-C293, C296-C302, C303-C307, C308-C312, C313-C317, C318-C322, C323-C327, C328-C329.

Ref.	Part No.	Description	
RB406	1-233-792-91	RES, NETWORK 100K	(1608)
RB408	1-233-415-21	RES, CHIP NETWORK 10K	(3216)
RB409	1-233-415-21	RES, CHIP NETWORK 10K	(3216)
RB410	1-233-415-21	RES, CHIP NETWORK 10K	(3216)
RB511	1-233-423-21	RES, CHIP NETWORK 47	(3216)
RB517	1-233-575-21	RES, CHIP NETWORK 22	
RB518	1-233-575-21	RES, CHIP NETWORK 22	
RB519	1-233-575-21	RES, CHIP NETWORK 22	
RB520	1-233-575-21	RES, CHIP NETWORK 22	
RB521	1-233-575-21	RES, CHIP NETWORK 22	
RB522	1-233-575-21	RES, CHIP NETWORK 22	
RB523	1-233-575-21	RES, CHIP NETWORK 22	
RB524	1-233-575-21	RES, CHIP NETWORK 22	
RB525	1-233-575-21	RES, CHIP NETWORK 22	
RB526	1-233-575-21	RES, CHIP NETWORK 22	
RB527	1-233-575-21	RES, CHIP NETWORK 22	
RB528	1-233-575-21	RES, CHIP NETWORK 22	
RB529	1-233-575-21	RES, CHIP NETWORK 22	
RB530	1-233-575-21	RES, CHIP NETWORK 22	
RB531	1-233-575-21	RES, CHIP NETWORK 22	
RB532	1-233-575-21	RES, CHIP NETWORK 22	
RB602	1-233-415-21	RES, CHIP NETWORK 10K	(3216)
RB603	1-233-415-21	RES, CHIP NETWORK 10K	(3216)
RB606	1-233-412-21	RES, CHIP NETWORK 1.0K	(3216)
RB607	1-233-415-21	RES, CHIP NETWORK 10K	(3216)
RB609	1-233-423-21	RES, CHIP NETWORK 47	(3216)
RB611	1-233-415-21	RES, CHIP NETWORK 10K	(3216)
RB803	1-233-415-21	RES, CHIP NETWORK 10K	(3216)
		<THERMISTOR>	
△ TH002	1-804-478-21	THERMISTOR, POSITIVE	
		<CRYSTAL>	
X101	1-781-640-21	VIBRATOR, CRYSTAL	
X101	1-781-640-41	VIBRATOR, CRYSTAL	
X201	1-781-640-21	VIBRATOR, CRYSTAL	
X201	1-781-640-41	VIBRATOR, CRYSTAL	
X202	1-781-857-21	OSCILLATOR, CRYSTAL	
X202	1-781-857-41	OSCILLATOR, CRYSTAL	
X301	1-781-856-21	VIBRATOR, CRYSTAL	
X301	1-781-856-41	VIBRATOR, CRYSTAL	
X302	1-781-768-21	VIBRATOR, CRYSTAL	
X401	1-760-496-22	VIBRATOR, LITHIUM NIOBATE	
X402	1-760-928-41	VIBRATOR, CRYSTAL	
X402	1-767-300-21	VIBRATOR, CRYSTAL	
X402	1-781-266-41	VIBRATOR, CRYSTAL	
X402	1-781-266-61	VIBRATOR, CRYSTAL	

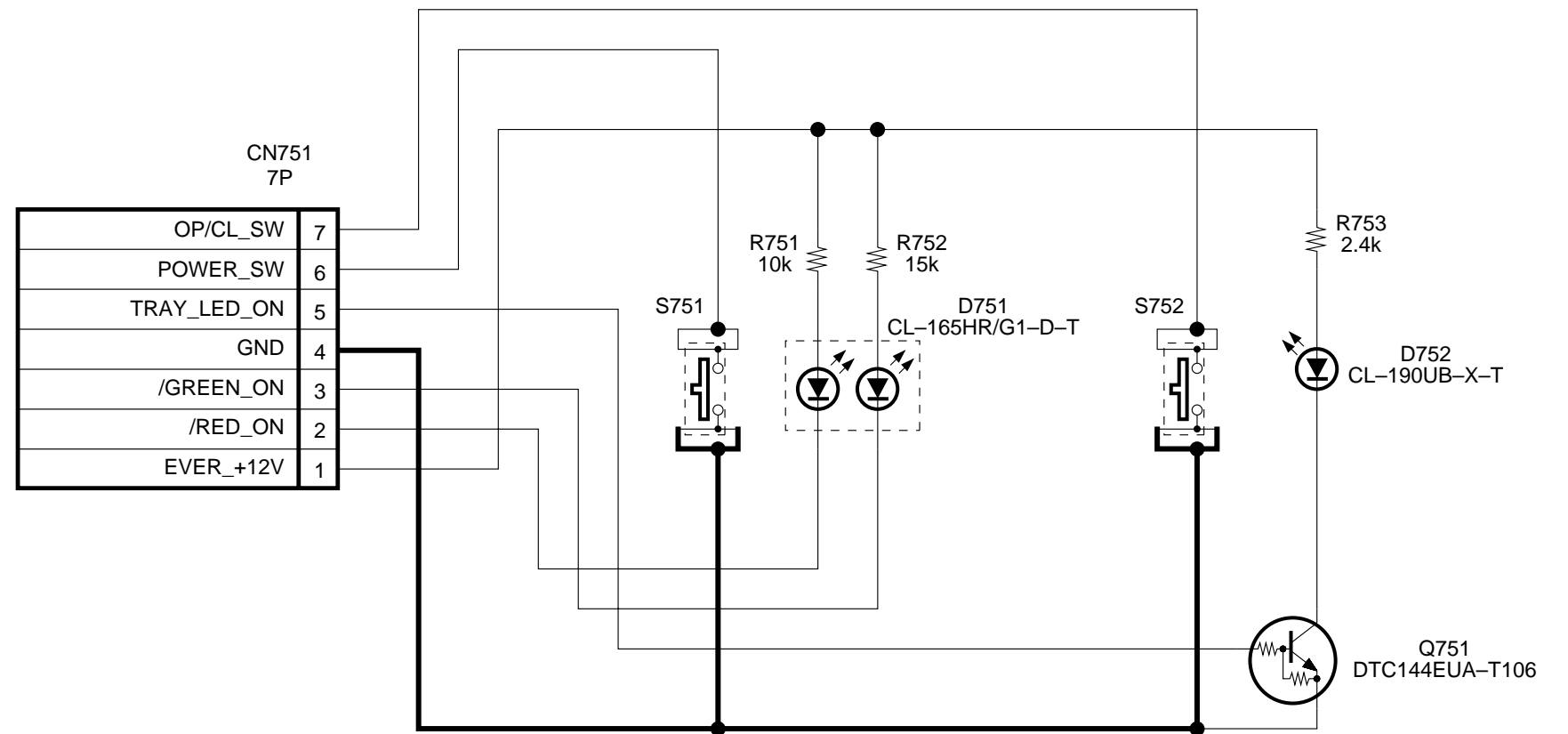
SWITCH MOUNT



SW-366
A side



SW-366
B side



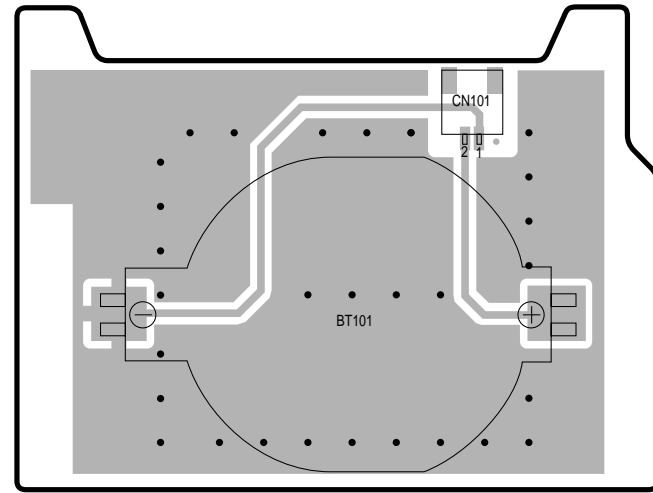
SW-366

SWITCH MOUNTED CIRCUIT BOARD

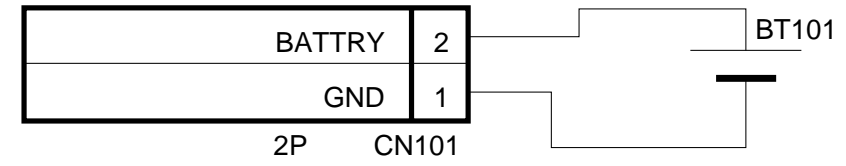
Ref-No.	Part No.	Description	Remark	Place code
53	A-6712-983-A	SW-366 MOUNT	for SWITCH ASSY BLOCK(A-6705-401-A)	#25SW
CN751	1-785-470-21	CONNECTOR, FPC(LIF(NON-ZIF))7P		#25SW
D751	8-719-078-90	DIODE CL-165HR/G1-D-T		#25SW
D752	8-719-080-04	DIODE CL-190UB-X-T		#25SW
Q751	8-729-013-97	TRANSISTOR RN1304-TE85L		#25SW
Q751	8-729-029-14	TRANSISTOR DTC144EUA-T106		#25SW
R751	1-216-833-91	RES, CHIP 10K (1608)		#25SW
R752	1-216-835-91	RES, CHIP 15K (1608)		#25SW
R753	1-216-993-91	RES, CHIP 2.4K (1608)		#25SW
S751	1-771-917-21	SWITCH, TACTILE		#25SW
S752	1-771-917-21	SWITCH, TACTILE		#25SW

Reproduction Prohibited

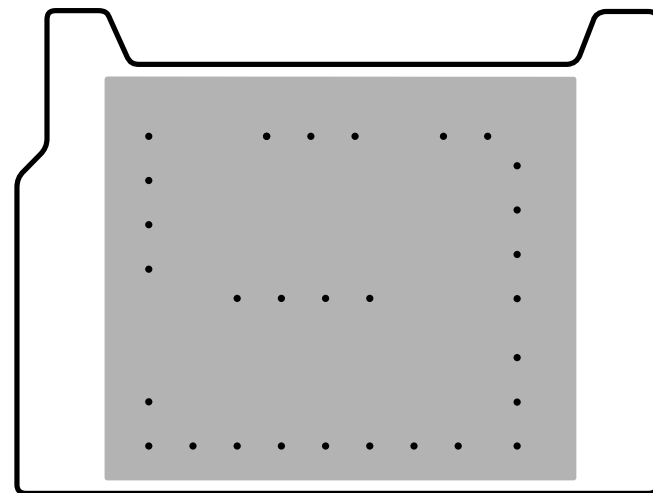
GB MOUNT



GB-006
A side



GB-006



GB-006
B side

GB MOUNTED CIRCUIT BOARD

<u>Ref-No.</u>	<u>Part No.</u>	<u>Description</u>	<u>Remark</u>	<u>Place code</u>
GB006	A-6712-984-A	GB-006 MOUNT		#25GB
BT101	1-756-076-21	HOLDER, LITHIUM BATTERY		#25GB
CN101	1-815-648-21	PIN, CONNECTOR (PC BOARD) 2P		#25GB

Reproduction Prohibited