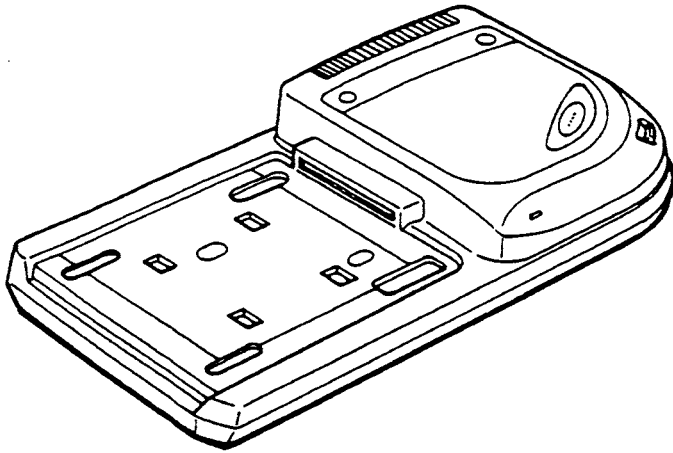


SEGA™ SERVICE MANUAL

SEGA CD II / MEGA CD II



| | |
|--------|------------|
| NO. | 002 - 2 |
| ISSUED | JUNE, 1994 |

SUPPLEMENT

CONTENTS

| | |
|-------------------------------------|----|
| 1. DIFFERENCE TABLE | 2 |
| 2. SCHEMATIC DIAGRAM | 3 |
| 3. CIRCUIT BOARD DIAGRAM | 9 |
| 4. EXPLODED VIEW & PARTS LIST | |
| 4-1. Exploded View | 11 |
| 4-2. Mechanical Parts List | 12 |
| 4-3. Electrical Parts List | 12 |
| 4-4. Accessories/Package List | 16 |

Sega Enterprises, Ltd.

BEFORE USING THIS SERVICE MANUAL

Although the products described in the service manual (No.002) used 1.6 × 0.8mm chips (leadless) resistors and capacitors, the size has been changed to 2.0 × 1.25mm and also the pattern has been changed. Use this service manual when servicing the products with serial No.T30282001 and later.

1. DIFFERENCE TABLE

1-1. IC

| Service Manual No.002 | | | | Serial No.T30282001 and later | | |
|-----------------------|-------------|-----------|-----------------------|-------------------------------|-----------|-------------|
| No. | Circuit No. | Parts No. | Description | Circuit No. | Parts No. | Description |
| 1 | IC001 | 314-0367 | IC 74HC04 | IC951 | 315-0853 | IC TC7S04F |
| 2 | IC002 | 314-0407 | IC 74HC74 | IC952 | 314-0407 | IC 74HC74 |
| 3 | IC110 | 837-9798 | IC BD MEGA CD2 PCM BD | Not used | | |

1-2. CD Drive Unit

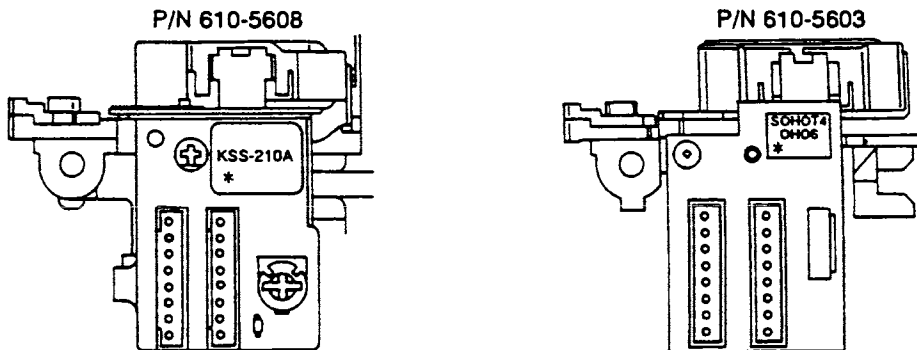
1) Differences electrical parts between CD DRIVE UNIT with P/N 610-5608 and P/N 610-5603.

| Circuit No. | P/N 610-5608 | P/N 610-5603 | Circuit No. | P/N 610-5608 | P/N 610-5603 |
|---------------|--------------|--------------|------------------------|--------------|--------------|
| Chip Resister | | | Chip Capacitor | | |
| R414 | 1.8 kohm | 2.2 kohm | C428 | 0.056 μ F | Not used |
| R421 | 220 kohm | 82 kohm | C451 | 15 pF | 8 pF |
| R422 | 150 kohm | Not used | Electrolytic Capacitor | | |
| R423 | 220 kohm | 270 kohm | C412 | 22 μ F/6.3V | 47 μ F/6.3V |
| R424 | 15 kohm | 20 kohm | | | |
| R426 | 4.7 kohm | 3.3 kohm | | | |
| R448 | 91 ohm | 82 ohm | | | |
| R449 | 10 kohm | 0 ohm | | | |
| R450 | 33 kohm | Not used | | | |
| R491 | 150 kohm | 180 kohm | | | |

2) Tracking gain adjustment value.

| | P/N 610-5608 | P/N 610-5603 |
|---------------------------------|--------------|--------------|
| Tracking gain adjustment value. | 1 kHz/0 dB | 800 Hz/0 dB |

How to discriminate CD DRIVE UNIT between P/N 610-5608 and P/N 610-5603



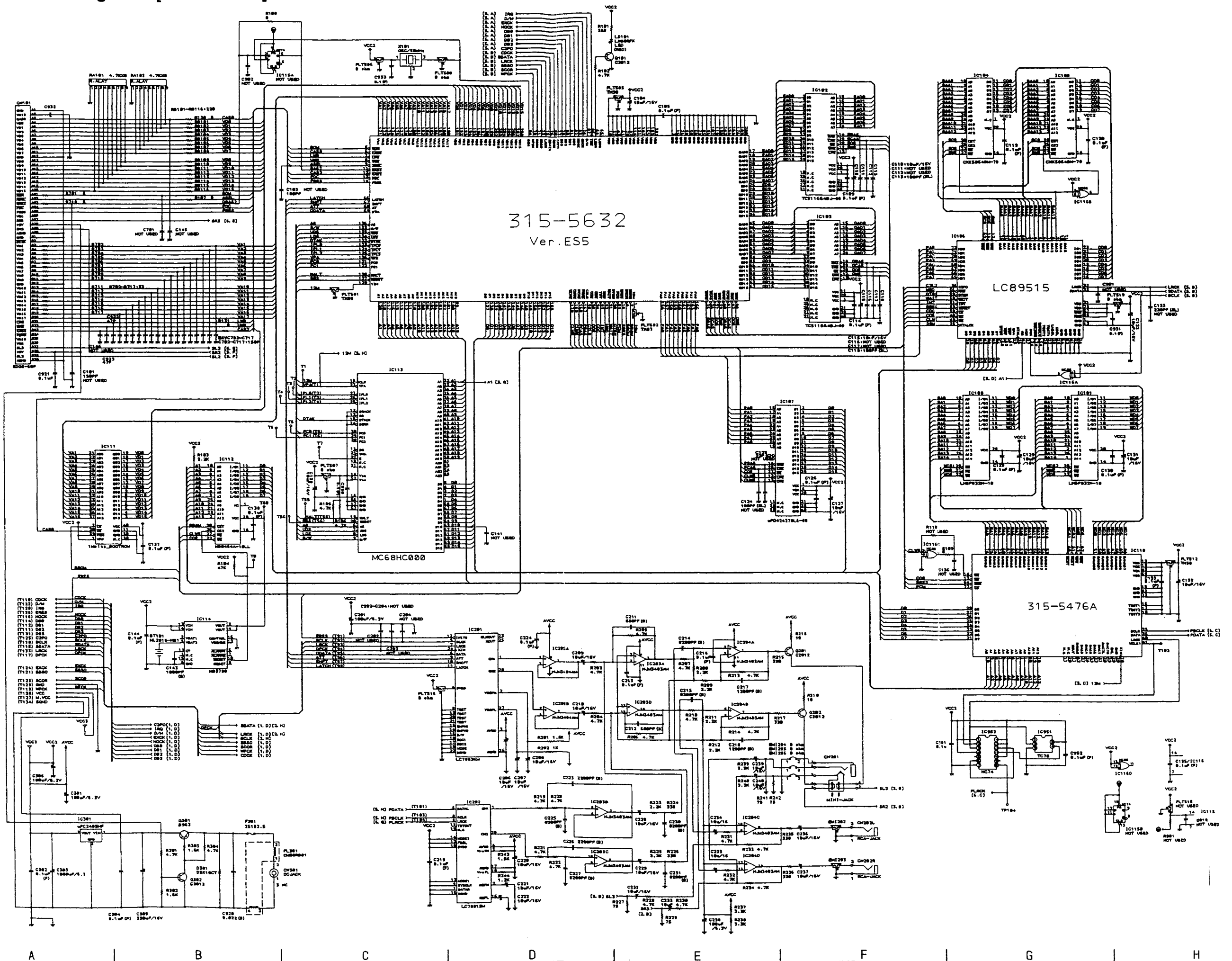
(*) The CD DRIVE UNIT can be discriminated by checking the indication in the label pasted here.

- In case of KSS-210AP/N 610-5608
- In case of SOHOT4.....P/N 610-5603

Fig. 1

2. SCHEMATIC DIAGRAM

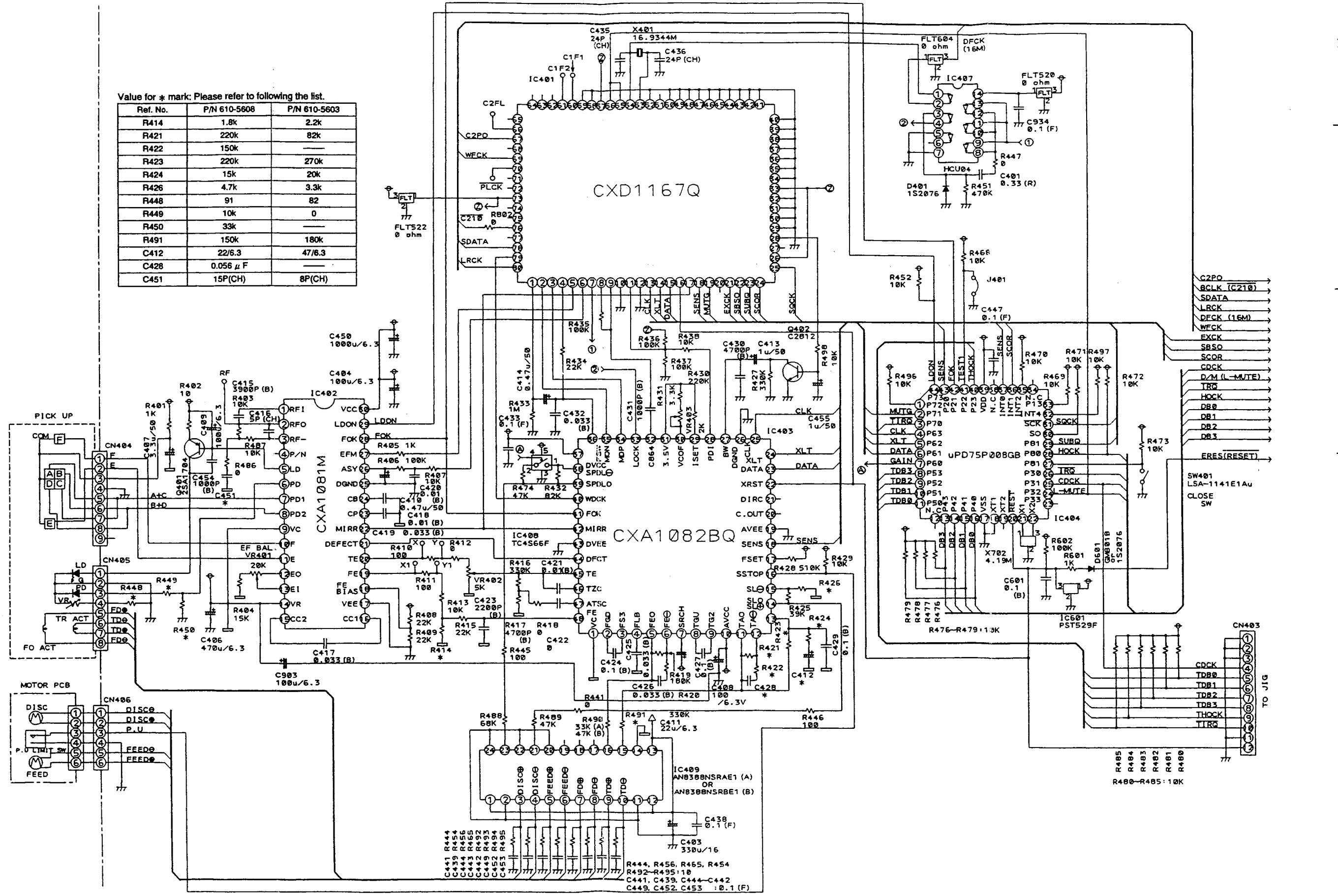
2-1. Schematic Diagram-1 [SEGA CD II]



2-3. Schematic Diagram-3

Value for * mark: Please refer to following the list.

| Ref. No. | P/N 610-5608 | P/N 610-5603 |
|----------|---------------|--------------|
| R414 | 1.8k | 2.2k |
| R421 | 220k | 82k |
| R422 | 150k | |
| R423 | 220k | 270k |
| R424 | 15k | 20k |
| R426 | 4.7k | 3.3k |
| R448 | 91 | 82 |
| R449 | 10k | 0 |
| R450 | 33k | |
| R491 | 150k | 180k |
| C412 | 22/6.3 | 47/6.3 |
| C428 | 0.056 μ F | |
| C451 | 15P(CH) | 8P(CH) |



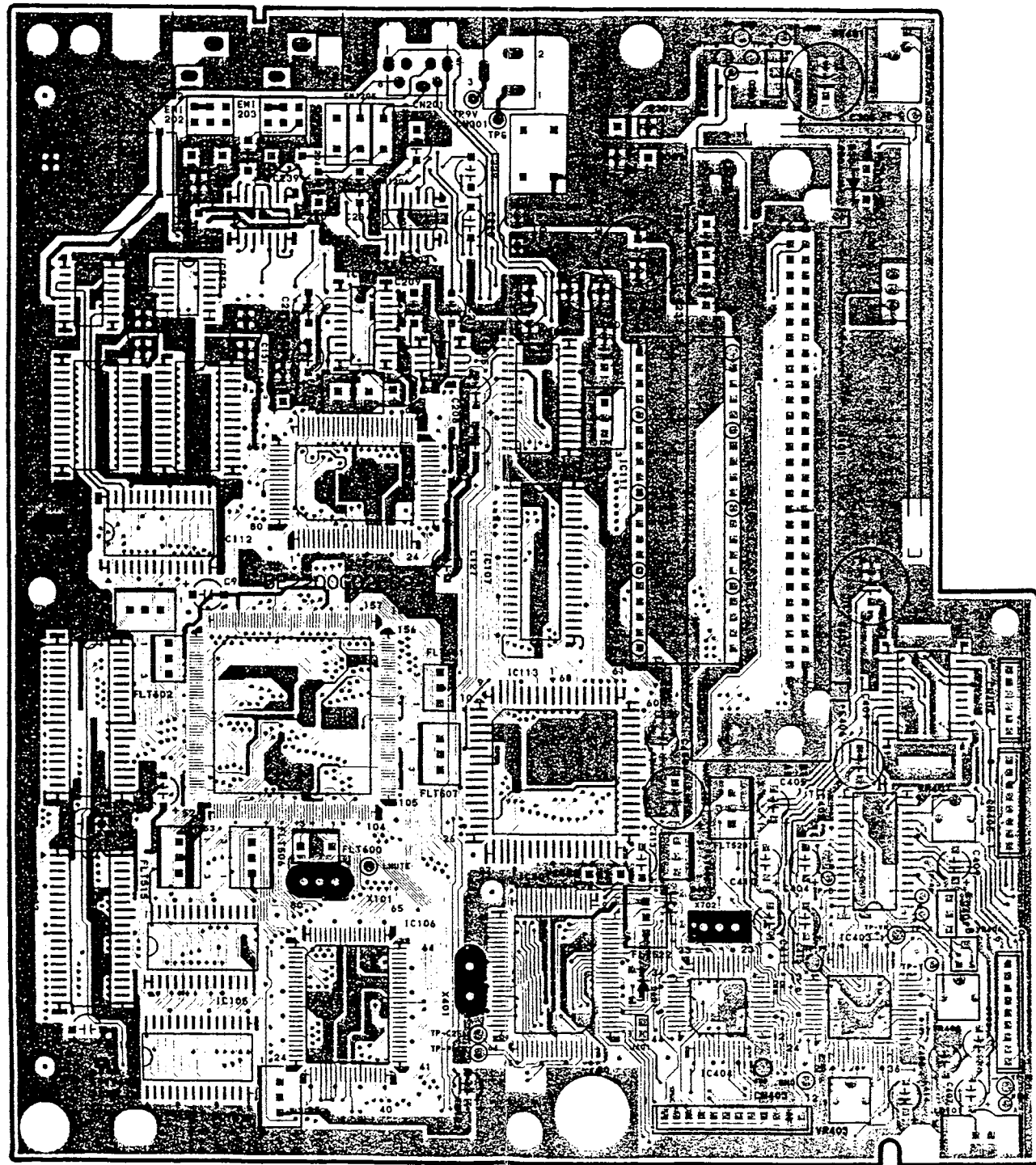
- C441 R444
- C439 R454
- C443 R455
- C442 R492
- C449 R493
- C453 R494
- C451 R495
- R444, R456, R465, R454
- R492-R495: 10
- C441, C439, C444-C442
- C449, C452, C453 : 0.1 (F)

- R485
- R484
- R483
- R482
- R481
- R480
- R480-R485: 10K

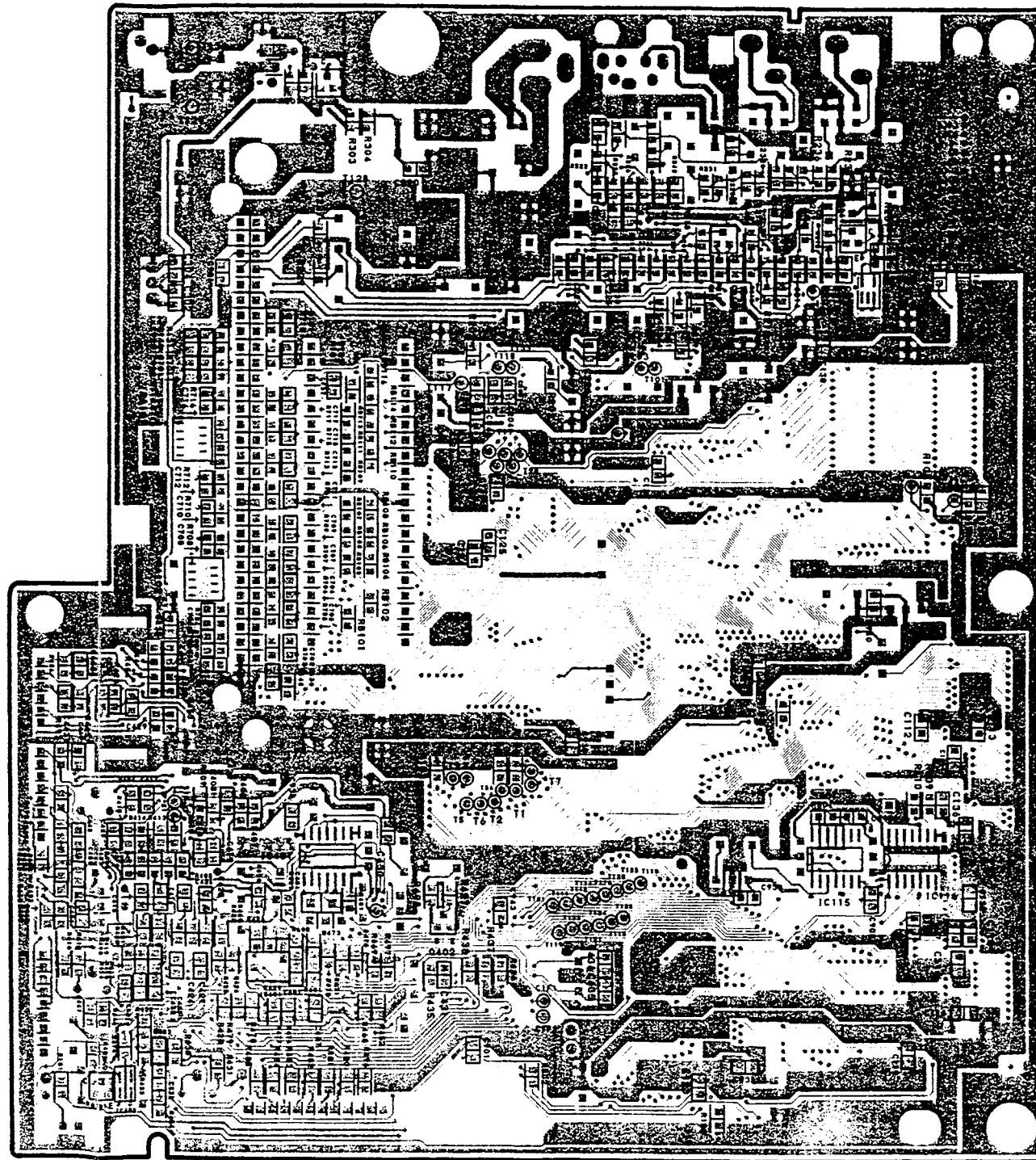
A B C D E F G H

3. CIRCUIT BOARD DIAGRAM

3-1. Main Circuit Board [Top View]



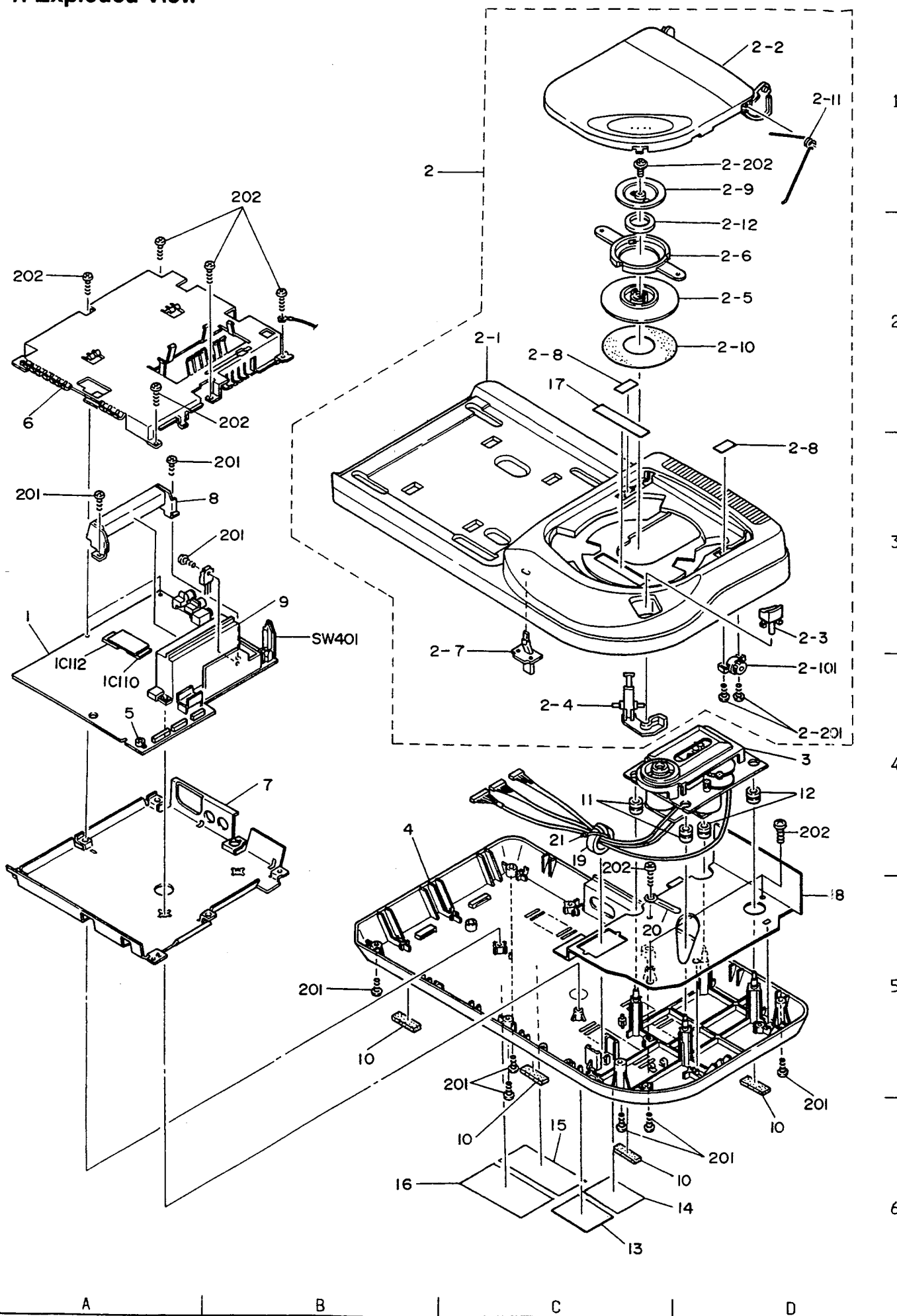
3-2. Main Circuit Board [Bottom View]



A B C D E F G H

4. EXPLODED VIEW & PARTS LIST

4-1. Exploded View



4-2. Mechanical Parts List

| Ref. No. | Parts No. | Description |
|----------|-------------|--|
| 1 | 837-10210 | IC BD SEGA-CD2 MAIN USA CH [KS] |
| 1 | 837-10213 | IC BD SEGA-CD2 MAIN USA CHSS [SS] |
| 1 | 837-10211 | IC BD MEGA-CD2 MAIN MULTI CH [KM] |
| 1 | 837-10214 | IC BD MEGA-CD2 MAIN MULTI CHSS [SM] |
| 2 | 610-5466 | ASSY TOP CASE SEGA-CD2 USA [KS, SS] |
| 2 | 610-5467 | ASSY TOP CASE MEGA-CD2 MULTI [KM, SM] |
| 2-1 | 253-6661 | TOP CASE MEGA-CD2 EXPORT |
| 2-2 | 253-6635 | DOOR SEGA-CD2 USA [KS, SS] |
| 2-2 | 253-6636 | DOOR MEGA-CD2 MULTI [KM, SM] |
| 2-3 | 253-6562-01 | DOOR KNOB SEGA-CD2 USA [KS, SS] |
| 2-3 | 253-6562-02 | DOOR KNOB MEGA-CD2 MULTI [KM, SM] |
| 2-4 | 253-6563 | DOOR LEVER MEGA-CD2 |
| 2-5 | 253-6564 | CHUCK DISK MEGA-CD2 |
| 2-6 | 253-6565 | CHUCK HOLDER MEGA-CD2 |
| 2-7 | 253-6566 | LED LENS MEGA-CD2 |
| 2-8 | 253-6569 | BLIND SHEET MEGA-CD2 |
| 2-9 | 250-5306 | CONNECT PLATE MEGA-CD2 |
| 2-10 | 601-6983 | CHUCK SHEET MEGA-CD2 |
| 2-11 | 125-5101 | DOOR SPRING MEGA-CD2 |
| 2-12 | 113-0020 | MAGNET MEGA-CD2 TK-4094 TOKIN |
| 2-101 | 601-7018 | OIL DAMPER MEGA-CD2 |
| 2-201 | 012-P00210 | TAP SCR PH 2X10 |
| 2-202 | 029-000016 | CUP SCR 2.6*5 |
| 3 | 610-5608 | CD DRIVE UNIT MEGA-CD2 V2 [KS, KM] |
| 3 | 610-5603 | CD DRIVE UNIT MEGA-CD2 SS [SS, SM] |
| 4 | 253-6651 | BOTTOM CASE MEGA-CD2 EXPORT [KS, SS] |
| 4 | 253-6651A | BOTTOM CASE MCD2 EXPORT ALPEX [KM, SM] |
| 5 | 253-6567 | LED HOLDER MEGA-CD2 |
| 6 | 250-5327 | TOP SHIELD CD2 EXPORT |
| 7 | 250-5328 | BOTTOM SHIELD CD2 EXPORT |
| 8 | 250-5325 | CONNECTER SHIELD A CD2 EXPORT |
| 9 | 250-5326 | CONNECTER SHIELD B CD2 EXPORT |
| 10 | 601-6982 | RUBBER FOOT MEGA-CD2 |
| 11 | 601-6984 | RUBBER DAMPER A MEGA-CD2 |
| 12 | 601-7002 | RUBBER DAMPER B MEGA-CD2 |
| 13 | 670-3119 | LABEL SER. NO. MK-4101 USA [KS, SS] |
| 13 | 670-3120 | LABEL SER. NO. MEGA-CD2 MULTI [KM, SM] |
| 14 | 670-3126-01 | LABEL FDA MK-4101 USA [KS, SS] |
| 14 | 670-2774 | LABEL CAUTION LASER EUROPE [KM, SM] |
| 15 | 670-0248 | SEAL CUSTOMER SERVICE [KS, SS] |
| 15 | 670-4562 | LABEL RF I & CE MARK [KM, SM] |
| 16 | 670-3204A | LABEL FCC & ALPEX SCD2 USA [KS, SS] |
| 17 | 670-3210 | CAUTION LABEL MEGA-CD2 MULTI [KM, SM] |
| 17 | 670-3209 | CAUTION LABEL SEGA-CD2 USA [KS, SS] |
| 18 | 250-5350 | CD UNIT SHIELD CD2 EXPORT |
| 19 | 270-5074 | FERRITE CORE CD2 EXPORT |
| 20 | 280-5242 | HARNES LUG L=35MM |
| 21 | 601-0460 | PLASTIC TIE BELT 100 M/M |
| 201 | 012-P00310 | TAP SCR PH 3X10 |
| 202 | 012-P00308 | TAP SCR PH 3X8 |

4-3. Electrical Parts List

| Circuit No. | Parts No. | Description |
|-------------|-------------|--|
| IC101 | 315-5632 | IC CUSTOM CHIP MCE3 FUJITSU |
| IC102 | 315-0745-80 | IC TC511664BJ-80 SOJ TOSHIBA |
| IC102 | 315-0804-70 | IC UPD421664LE-70 SOJ NEC |
| IC102 | 315-0804-80 | IC UPD421664-80 SOJ NEC |
| IC102 | 315-0805-80 | IC UPD421664-80L SOJ NEC |
| IC103 | 315-0745-80 | IC TC511664BJ-80 SOJ TOSHIBA |
| IC103 | 315-0804-70 | IC UPD421664LE-70 SOJ NEC |
| IC103 | 315-0804-80 | IC UPD421664-80 SOJ NEC |
| IC103 | 315-0805-80 | IC UPD421664-80L SOJ NEC |
| IC104 | 315-0651 | IC MB8464A-80 SOP 28P FUJITSU |
| IC104 | 315-0651-90 | IC MB8464A-90 SOP 28P |
| IC104 | 315-0773 | IC CXK5864CM-70LL-T6 SOP SONY |
| IC104 | 315-0796-70 | IC CXK5864BM-70 SOP SONY |
| IC105 | 315-0651 | IC MB8464A-80 SOP 28P FUJITSU |
| IC105 | 315-0651-90 | IC MB8464A-90 SOP 28P |
| IC105 | 315-0773 | IC CXK5864CM-70LL-T6 SOP SONY |
| IC105 | 315-0796-70 | IC CXK5864BM-70 SOP SONY |
| IC106 | 313-5181-01 | IC LC89515 QFP SANYO |
| IC107 | 315-0739-80 | IC UPD424270LE-80 NEC |
| IC107 | 315-0777-80 | IC HM514270AJ-8 SOJ HITACHI |
| IC107 | 315-0818 | IC MSM44270AJ-8 SOJ MITSUBISHI |
| IC107 | 315-0822-80 | IC MN414270SJ-08 SOJ PANASONIC |
| IC108 | 315-0677 | IC TC51832FL-10 SOP TOSHIBA |
| IC108 | 315-0759-10 | IC TC51832AFL-10 SOP TOSHIBA |
| IC108 | 315-0760-10 | IC LH5P832N-10 SOP SHARP |
| IC109 | 315-0677 | IC TC51832FL-10 SOP TOSHIBA |
| IC109 | 315-0759-10 | IC TC51832AFL-10 SOP TOSHIBA |
| IC109 | 315-0760-10 | IC LH5P832N-10 SOP SHARP |
| IC110 | 315-5476A | IC CUSTOM CHIP RF5C164A RICO |
| IC111 | MPR-15511 | SEGA-CD2 USA BOOT ROM [KS, SS] |
| IC111 | MPR-15511A | SEGA-CD2 USA BOOT ROM [KS, SS] |
| IC111 | MPR-15512 | IC MEGA-CD2 (PAL) BOOT ROM L661 [KM, SM] |
| IC111 | MPR-15512A | IC MEGA-CD2 (PAL) BOOT ROM VER2 [KM, SM] |
| IC112 | 315-0635 | IC MB8464A-10LL PF-G-BND FUJIT |
| IC113 | 315-0637 | IC MC68HC000FN12 PLCC MOTOROLA |
| IC113 | 315-0650 | IC HD68HC00CP-12 PLCC HITACHI |
| IC114 | 313-5190 | IC MB3790 SOP 16PIN FUJITSU |
| IC115 | NOT USED | |
| IC116 | 314-0549-01 | IC TC74HC86 SOP TOSHIBA |
| IC201 | 313-5184 | IC LC7883KM SOP SANYO |
| IC202 | 313-5231 | IC LC78815M SOP 20P SANYO |
| IC203 | 313-5249 | IC NJM3403AM SOP |
| IC204 | 313-5249 | IC NJM3403AM SOP |
| IC205 | 313-5250 | IC NJM3404AM SOP |
| IC301 | 313-5193 | IC UPC2405HF NEC |
| IC401 | 315-0798 | IC CXD1167Q QFP |
| IC402 | 313-5251 | IC CXA1081M SOP |
| IC403 | 313-5252 | IC CXA1082Q QFP |
| IC404 | 315-0799 | IC UPD75P008GB QFP |
| IC404 | 315-0808 | IC UPD75006GB QFP |
| IC404 | 315-0848 | IC UPD75006GB-639-3B4 |
| IC407 | 314-0571 | IC 74HC04 SOP |
| IC408 | 313-5253 | IC TC4566F-TE85R |
| IC409 | 314-0572 | IC AN8388SR SOP |
| IC409 | 314-0585 | IC AN8388SRBE1 SOP |
| IC601 | 314-0573 | IC PST529F MMP3P RESET IC |
| IC951 | 315-0853 | IC TC7S04F |
| IC952 | 314-0407 | IC 74HC74 |

[NOTE] [KS]: SEGA CD II, CD DRIVE UNIT P/N 610-5608
 [KM]: MEGA CD II, CD DRIVE UNIT P/N 610-5608

[SS]: SEGA CD II, CD DRIVE UNIT P/N 610-5603
 [SM]: MEGA CD II, CD DRIVE UNIT P/N 610-5603

| Circuit No. | Parts No. | Description | Circuit No. | Parts No. | Description | Circuit No. | Parts No. | Description | Circuit No. | Parts No. | Description |
|-------------|-----------|--------------------------------|-------------|---------------|--------------------------------|-------------|---------------|----------------------------|-------------|---------------|---------------------------|
| Q 101 | 482-5191 | XSTR CHIP 2SC2812-5-CP-TB | RA102 | 477-0152 | RES PACK CP 8*4. 7K OHM W/COMM | R 226 | 476-2472-J-10 | RES CHIP 4. 7KOHM 1/10W 5% | R 432 | 476-2823-J-10 | RES CHIP 82K OHM 1/10W 5% |
| Q 101 | 482-5192 | XSTR CHIP 2SC2812-6-CP-TB | | | | R 229 | 476-2750-J-10 | RES CHIP 75 OHM 1/10W 5% | R 433 | 476-2105-J-10 | RES CHIP 1MOHM 1/10W 5% |
| Q 201 | 482-5191 | XSTR CHIP 2SC2812-5-CP-TB | RB101 | 476-2221-J-10 | RES CHIP 220 OHM 1/10W 5% | R 230 | 476-2472-J-10 | RES CHIP 4. 7KOHM 1/10W 5% | R 434 | 476-2223-J-10 | RES CHIP 22KOHM 1/10W 5% |
| Q 201 | 482-5192 | XSTR CHIP 2SC2812-6-CP-TB | RB102 | 476-2221-J-10 | RES CHIP 220 OHM 1/10W 5% | | | | R 435 | 476-2104-J-10 | RES CHIP 100KOHM 1/10W 5% |
| Q 202 | 482-5191 | XSTR CHIP 2SC2812-5-CP-TB | RB103 | 476-2221-J-10 | RES CHIP 220 OHM 1/10W 5% | R 231 | 476-2472-J-10 | RES CHIP 4. 7KOHM 1/10W 5% | R 436 | 476-2104-J-10 | RES CHIP 100KOHM 1/10W 5% |
| Q 202 | 482-5192 | XSTR CHIP 2SC2812-6-CP-TB | RB104 | 476-2221-J-10 | RES CHIP 220 OHM 1/10W 5% | R 232 | 476-2472-J-10 | RES CHIP 4. 7KOHM 1/10W 5% | | | |
| Q 301 | 482-5193 | XSTR 2SB963 M | RB105 | 476-2221-J-10 | RES CHIP 220 OHM 1/10W 5% | R 233 | 476-2472-J-10 | RES CHIP 4. 7KOHM 1/10W 5% | R 437 | 476-2104-J-10 | RES CHIP 100KOHM 1/10W 5% |
| Q 301 | 482-5194 | XSTR 2SB963 L | RB106 | 476-2221-J-10 | RES CHIP 220 OHM 1/10W 5% | R 234 | 476-2472-J-10 | RES CHIP 4. 7KOHM 1/10W 5% | R 438 | 476-2103-J-10 | RES CHIP 10KOHM 1/10W 5% |
| Q 301 | 482-5195 | XSTR 2SB963 K | RB107 | 476-2221-J-10 | RES CHIP 220 OHM 1/10W 5% | R 235 | 476-2331-J-10 | RES CHIP 330 OHM 1/10W 5% | R 441 | 479-5010-J-10 | RES CHIP 0 OHM 1/10W |
| Q 302 | 482-5191 | XSTR CHIP 2SC2812-5-CP-TB | RB108 | 476-2221-J-10 | RES CHIP 220 OHM 1/10W 5% | R 236 | 476-2331-J-10 | RES CHIP 330 OHM 1/10W 5% | R 444 | 476-2100-J-10 | RES CHIP 10 OHM 1/10W 5% |
| Q 302 | 482-5192 | XSTR CHIP 2SC2812-6-CP-TB | RB109 | 476-2221-J-10 | RES CHIP 220 OHM 1/10W 5% | R 237 | 476-2332-J-10 | RES CHIP 3. 3KOHM 1/10W 5% | R 445 | 476-2101-J-10 | RES CHIP 100 OHM 1/10W 5% |
| Q 302 | 482-5204 | XSTR CHIP 2SC4362 | RB110 | 476-2221-J-10 | RES CHIP 220 OHM 1/10W 5% | R 238 | 476-2332-J-10 | RES CHIP 3. 3KOHM 1/10W 5% | R 446 | 476-2101-J-10 | RES CHIP 100 OHM 1/10W 5% |
| Q 302 | 482-5205 | XSTR CHIP UN221L | RB111 | 476-2221-J-10 | RES CHIP 220 OHM 1/10W 5% | R 239 | 476-2332-J-10 | RES CHIP 3. 3KOHM 1/10W 5% | R 447 | 479-5010-J-10 | RES CHIP 0 OHM 1/10W |
| Q 401 | 482-5196 | XSTR 2SA1704 S-AN | RB112 | 476-2221-J-10 | RES CHIP 220 OHM 1/10W 5% | R 240 | 476-2332-J-10 | RES CHIP 3. 3KOHM 1/10W 5% | R 448 | 476-2820-J-10 | RES CHIP 82 OHM 1/10W 5% |
| Q 401 | 482-5197 | XSTR 2SA1704 T-AN | RB113 | 476-2221-J-10 | RES CHIP 220 OHM 1/10W 5% | R 241 | 476-2750-J-10 | RES CHIP 75 OHM 1/10W 5% | R 448 | 476-2910-J-10 | RES CHIP 91 OHM 1/10W 5% |
| Q 402 | 482-5191 | XSTR CHIP 2SC2812-5-CP-TB | RB114 | 476-2221-J-10 | RES CHIP 220 OHM 1/10W 5% | R 242 | 476-2750-J-10 | RES CHIP 75 OHM 1/10W 5% | | | |
| Q 402 | 482-5192 | XSTR CHIP 2SC2812-6-CP-TB | RB115 | 476-2221-J-10 | RES CHIP 220 OHM 1/10W 5% | R 243 | 476-2152-J-10 | RES CHIP 1. 5KOHM 1/10W 5% | R 449 | 476-2103-J-10 | RES CHIP 10KOHM 1/10W 5% |
| D 301 | 481-5119 | DIODE DSK10-ET1 | RB116 | 476-2221-J-10 | RES CHIP 220 OHM 1/10W 5% | R 244 | 476-2122-J-10 | RES CHIP 1. 2KOHM 1/10W 5% | R 449 | 479-5010-J-10 | RES CHIP 0 OHM 1/10W |
| D 302 | 481-5120 | DIODE 1S2076RE | SW401 | 250-5342 | SW COVER CD2 SY | R 301 | 476-2472-J-10 | RES CHIP 4. 7KOHM 1/10W 5% | R 450 | 476-2333-J-10 | RES CHIP 33KOHM 1/10W 5% |
| D 302 | NOT USED | NOT USED | VR401 | 475-0073 | V. RES C TRM 20K OHM B RADIAL | R 301 | 476-2822-J-10 | RES CHIP 8. 2KOHM 1/10W 5% | R 450 | NOT USED | NOT USED |
| D 401 | 481-5120 | DIODE 1S2076RE | VR402 | 475-0074 | V. RES C TRM 5K OHM B RADIAL | R 302 | 476-2162-J-10 | RES CHIP 1. 6KOHM 1/10W 5% | R 451 | 476-2474-J-10 | RES CHIP 470KOHM 1/10W 5% |
| D 601 | 481-5120 | DIODE 1S2076RE | VR403 | 475-0075 | V. RES C TRM 2K OHM B RADIAL | R 302 | NOT USED | NOT USED | R 452 | 476-2103-J-10 | RES CHIP 10KOHM 1/10W 5% |
| BT101 | 401-0037 | BATTERY ML2016-HS1 SANYO | VR404 | NOT USED | NOT USED | R 303 | 476-2162-J-10 | RES CHIP 1. 6KOHM 1/10W 5% | R 454 | 476-2100-J-10 | RES CHIP 10 OHM 1/10W 5% |
| CN101 | 209-5068 | EDGE CONN 60PIN CD2 CUSTOM | X 101 | 230-5103 | XTAL OSC 50.000MHZ JX0-7 | R 304 | 476-2472-J-10 | RES CHIP 4. 7KOHM 1/10W 5% | R 456 | 476-2100-J-10 | RES CHIP 10 OHM 1/10W 5% |
| CN201 | 210-5114 | STEREO MINIJACK HSJ2000-01-010 | X 401 | 230-5104 | XTAL OSC 16.9344MHZ HC-49U | R 401 | 476-2102-J-10 | RES CHIP 1KOHM 1/10W 5% | R 468 | 476-2103-J-10 | RES CHIP 10KOHM 1/10W 5% |
| CN202 | 210-5115 | RCA JACK YKC21-0242 | X 702 | 230-5109 | CER OSC 4.19MHZ | R 402 | 476-2100-J-10 | RES CHIP 10 OHM 1/10W 5% | R 469 | 476-2103-J-10 | RES CHIP 10KOHM 1/10W 5% |
| CN301 | 212-5378 | DC JACK HECO470-01-630 | R 101 | 476-2361-J-10 | RES CHIP 360 OHM 1/10W 5% | R 403 | 476-2103-J-10 | RES CHIP 10KOHM 1/10W 5% | R 470 | 476-2103-J-10 | RES CHIP 10KOHM 1/10W 5% |
| CN403 | 212-5382 | PIN HEADER ST 1L-S-12P-S2T2-EF | R 102 | 476-2472-J-10 | RES CHIP 4. 7KOHM 1/10W 5% | R 404 | 476-2153-J-10 | RES CHIP 15KOHM 1/10W 5% | R 471 | 476-2103-J-10 | RES CHIP 10KOHM 1/10W 5% |
| CN404 | 212-5379 | CONN BASE 9P B9B-PH-K-S | R 103 | 476-2222-J-10 | RES CHIP 2. 2KOHM 1/10W 5% | R 405 | 476-2102-J-10 | RES CHIP 1KOHM 1/10W 5% | R 472 | 476-2103-J-10 | RES CHIP 10KOHM 1/10W 5% |
| CN405 | 212-5380 | CONN BASE 8P B8B-PH-K-S | R 104 | 476-2473-J-10 | RES CHIP 47KOHM 1/10W 5% | R 406 | 476-2104-J-10 | RES CHIP 100KOHM 1/10W 5% | R 473 | 476-2103-J-10 | RES CHIP 10KOHM 1/10W 5% |
| CN406 | 212-5381 | CONN BASE 6P B6B-PH-K-S | R 105 | 476-2472-J-10 | RES CHIP 4. 7KOHM 1/10W 5% | R 407 | 476-2103-J-10 | RES CHIP 10KOHM 1/10W 5% | R 474 | 476-2473-J-10 | RES CHIP 47KOHM 1/10W 5% |
| EMI202 | 271-0007 | EMI FILTER STX222MB | R 106 | 476-2472-J-10 | RES CHIP 4. 7KOHM 1/10W 5% | R 408 | 476-2223-J-10 | RES CHIP 22KOHM 1/10W 5% | R 476 | 476-2103-J-10 | RES CHIP 10KOHM 1/10W 5% |
| EMI202 | 271-0073 | EMI FILTER ED31-D222M | R 107 | 479-5010-J-10 | RES CHIP 0 OHM 1/10W | R 409 | 476-2223-J-10 | RES CHIP 22KOHM 1/10W 5% | R 477 | 476-2103-J-10 | RES CHIP 10KOHM 1/10W 5% |
| EMI202 | 479-5009 | RES 0 OHM 1/4W | R 108 | 479-5010-J-10 | RES CHIP 0 OHM 1/10W | R 410 | 476-2101-J-10 | RES CHIP 100 OHM 1/10W 5% | R 478 | 476-2103-J-10 | RES CHIP 10KOHM 1/10W 5% |
| EMI203 | 271-0007 | EMI FILTER STX222MB | R 109 | 479-5010-J-10 | RES CHIP 0 OHM 1/10W | R 411 | 476-2101-J-10 | RES CHIP 100 OHM 1/10W 5% | R 479 | 476-2103-J-10 | RES CHIP 10KOHM 1/10W 5% |
| EMI203 | 271-0073 | EMI FILTER ED31-D222M | R 110 | NOT USED | NOT USED | R 412 | 479-5010-J-10 | RES CHIP 0 OHM 1/10W | R 480 | 476-2103-J-10 | RES CHIP 10KOHM 1/10W 5% |
| EMI203 | 479-5009 | RES 0 OHM 1/4W | R 130 | 479-5010-J-10 | RES CHIP 0 OHM 1/10W | R 413 | 476-2103-J-10 | RES CHIP 10KOHM 1/10W 5% | R 481 | 476-2103-J-10 | RES CHIP 10KOHM 1/10W 5% |
| EMI204 | 479-5009 | RES 0 OHM 1/4W | R 131 | 479-5010-J-10 | RES CHIP 0 OHM 1/10W | R 414 | 476-2182-J-10 | RES CHIP 1. 8KOHM 1/10W 5% | R 482 | 476-2103-J-10 | RES CHIP 10KOHM 1/10W 5% |
| EMI205 | 479-5009 | RES 0 OHM 1/4W | R 201 | 476-2162-J-10 | RES CHIP 1. 6KOHM 1/10W 5% | R 414 | 476-2222-J-10 | RES CHIP 2. 2KOHM 1/10W 5% | R 483 | 476-2103-J-10 | RES CHIP 10KOHM 1/10W 5% |
| EMI206 | 479-5009 | RES 0 OHM 1/4W | R 202 | 476-2102-J-10 | RES CHIP 1KOHM 1/10W 5% | R 415 | 476-2223-J-10 | RES CHIP 22KOHM 1/10W 5% | R 484 | 476-2103-J-10 | RES CHIP 10KOHM 1/10W 5% |
| F 301 | 514-5060 | FUSE PICO II 25102.5 AXIAL | R 203 | 476-2472-J-10 | RES CHIP 4. 7KOHM 1/10W 5% | R 416 | 476-2334-J-10 | RES CHIP 330K OHM 1/10W 5% | R 485 | 476-2103-J-10 | RES CHIP 10KOHM 1/10W 5% |
| FL301 | 271-0054 | LINE FILTER CMO8RB01 | R 204 | 476-2472-J-10 | RES CHIP 4. 7KOHM 1/10W 5% | R 417 | 151-0421 | CAP CER CH 4700PF/50V B K | R 486 | 479-5010-J-10 | RES CHIP 0 HM 1/10W |
| FLT505 | 271-0058 | FILMAC TH30333MAT | R 205 | 476-2472-J-10 | RES CHIP 4. 7KOHM 1/10W 5% | R 418 | 479-5010-J-10 | RES CHIP 0 OHM 1/10W | R 487 | 476-2103-J-10 | RES CHIP 10KOHM 1/10W 5% |
| FLT506 | 479-5009 | RES 0 OHM 1/4W | R 206 | 476-2472-J-10 | RES CHIP 4. 7KOHM 1/10W 5% | R 419 | 476-2184-J-10 | RES CHIP 180KOHM 1/10W 5% | R 488 | 476-2683-J-10 | RES CHIP 68KOHM 1/10W 5% |
| FLT507 | 479-5009 | RES 0 OHM 1/4W | R 207 | 476-2472-J-10 | RES CHIP 4. 7KOHM 1/10W 5% | R 420 | 476-2334-J-10 | RES CHIP 330K OHM 1/10W 5% | R 489 | 476-2473-J-10 | RES CHIP 47KOHM 1/10W 5% |
| FLT512 | 271-0058 | FILMAC TH30333MAT | R 208 | 476-2222-J-10 | RES CHIP 2. 2KOHM 1/10W 5% | R 421 | 476-2224-J-10 | RES CHIP 220KOHM 1/10W 5% | R 490 | 476-2333-J-10 | RES CHIP 33KOHM 1/10W 5% |
| FLT516 | 479-5009 | RES 0 OHM 1/4W | R 209 | 476-2222-J-10 | RES CHIP 2. 2KOHM 1/10W 5% | R 421 | 476-2823-J-10 | RES CHIP 82KOHM 1/10W 5% | R 490 | 476-2473-J-10 | RES CHIP 47KOHM 1/10W 5% |
| FLT519 | 479-5009 | RES 0 OHM 1/4W | R 210 | 476-2472-J-10 | RES CHIP 4. 7KOHM 1/10W 5% | R 422 | 476-2154-J-10 | RES CHIP 150K OHM 1/10W 5% | R 491 | 476-2154-J-10 | RES CHIP 150KOHM 1/10W 5% |
| FLT520 | 479-5009 | RES 0 OHM 1/4W | R 211 | 476-2222-J-10 | RES CHIP 2. 2KOHM 1/10W 5% | R 422 | NOT USED | NOT USED | R 491 | 476-2184-J-10 | RES CHIP 180KOHM 1/10W 5% |
| FLT522 | 479-5009 | RES 0 OHM 1/4W | R 212 | 476-2222-J-10 | RES CHIP 2. 2KOHM 1/10W 5% | R 423 | 476-2224-J-10 | RES CHIP 220KOHM 1/10W 5% | R 492 | 476-2100-J-10 | RES CHIP 10 OHM 1/10W 5% |
| FLT600 | 479-5009 | RES 0 OHM 1/4W | R 213 | 476-2472-J-10 | RES CHIP 4. 7KOHM 1/10W 5% | R 423 | 476-2274-J-10 | RES CHIP 270KOHM 1/10W 5% | R 493 | 476-2100-J-10 | RES CHIP 10 OHM 1/10W 5% |
| FLT601 | 271-0059 | FILMAC TX09500NB | R 214 | 476-2472-J-10 | RES CHIP 4. 7KOHM 1/10W 5% | R 424 | 476-2153-J-10 | RES CHIP 15KOHM 1/10W 5% | R 494 | 476-2100-J-10 | RES CHIP 10 OHM 1/10W 5% |
| FLT602 | 271-0060 | FILMAC TX07250NB | R 215 | 476-2331-J-10 | RES CHIP 330 OHM 1/10W 5% | R 424 | 476-2203-J-10 | RES CHIP 20KOHM 1/10W 5% | R 495 | 476-2100-J-10 | RES CHIP 10 OHM 1/10W 5% |
| FLT604 | 479-5009 | RES 0 OHM 1/4W | R 216 | 476-2100-J-10 | RES CHIP 10 OHM 1/10W 5% | R 425 | 476-2393-J-10 | RES CHIP 39KOHM 1/10W 5% | R 496 | 476-2103-J-10 | RES CHIP 10KOHM 1/10W 5% |
| LD101 | 390-5449 | LED LN88RPX | R 217 | 476-2331-J-10 | RES CHIP 330 OHM 1/10W 5% | R 425 | 476-2332-J-10 | RES CHIP 3. 3KOHM 1/10W 5% | R 497 | 476-2103-J-10 | RES CHIP 10KOHM 1/10W 5% |
| RA101 | 477-0152 | RES PACK CP 8*4. 7K OHM W/COMM | R 218 | 476-2100-J-10 | RES CHIP 10 OHM 1/10W 5% | R 425 | 476-2472-J-10 | RES CHIP 4. 7KOHM 1/10W 5% | R 498 | 476-2103-J-10 | RES CHIP 10KOHM 1/10W 5% |
| | | | R 219 | 476-2472-J-10 | RES CHIP 4. 7KOHM 1/10W 5% | R 426 | 476-2332-J-10 | RES CHIP 3. 3KOHM 1/10W 5% | R 501 | 476-2102-J-10 | RES CHIP 1KOHM 1/10W 5% |
| | | | R 220 | 476-2472-J-10 | RES CHIP 4. 7KOHM 1/10W 5% | R 426 | 476-2472-J-10 | RES CHIP 4. 7KOHM 1/10W 5% | R 502 | 476-2104-J-10 | RES CHIP 100KOHM 1/10W 5% |
| | | | R 221 | 476-2472-J-10 | RES CHIP 4. 7KOHM 1/10W 5% | R 427 | 476-2334-J-10 | RES CHIP 330K OHM 1/10W 5% | R 701 | 479-5010-J-10 | RES CHIP 0 OHM 1/10W |
| | | | R 222 | 476-2472-J-10 | RES CHIP 4. 7KOHM 1/10W 5% | R 427 | 476-2514-J-10 | RES CHIP 510KOHM 1/10W 5% | R 702 | 476-2330-J-10 | RES CHIP 33 OHM 1/10W 5% |
| | | | R 223 | 476-2222-J-10 | RES CHIP 2. 2KOHM 1/10W 5% | R 428 | 476-2103-J-10 | RES CHIP 10KOHM 1/10W 5% | R 703 | 476-2330-J-10 | RES CHIP 33 OHM 1/10W 5% |
| | | | R 224 | 476-2331-J-10 | RES CHIP 330 OHM 1/10W 5% | R 429 | 476-2224-J-10 | RES CHIP 220KOHM 1/10W 5% | R 704 | 476-2330-J-10 | RES CHIP 33 OHM 1/10W 5% |
| | | | R 225 | 476-2222-J-10 | RES CHIP 2. 2KOHM 1/10W 5% | R 431 | 476-2332-J-10 | RES CHIP 3. 3KOHM 1/10W 5% | R 705 | 476-2330-J-10 | RES CHIP 33 OHM 1/10W 5% |
| | | | R 226 | 476-2331-J-10 | RES CHIP 330 OHM 1/10W 5% | | | | R 706 | 476-2330-J-10 | RES CHIP 33 OHM 1/10W 5% |
| | | | R 227 | 476-2750-J-10 | RES CHIP 75 OHM 1/10W 5% | | | | | | |

| Circuit No. | Parts No. | Description | Circuit No. | Parts No. | Description |
|-------------|---------------|---------------------------|-------------|---------------|----------------------------|
| R 707 | 476-2330-J-10 | RES CHIP 33 OHM 1/10W 5% | C 216 | 151-0405 | CAP CER CP 0.1UF/16V F Z |
| R 708 | 476-2330-J-10 | RES CHIP 33 OHM 1/10W 5% | C 217 | 151-0412 | CAP CER CP 1200PF/50V B K |
| R 709 | 476-2330-J-10 | RES CHIP 33 OHM 1/10W 5% | C 218 | 151-0412 | CAP CER CP 1200PF/50V B K |
| R 710 | 476-2330-J-10 | RES CHIP 33 OHM 1/10W 5% | C 219 | 151-0405 | CAP CER CP 0.1UF/16V F Z |
| R 711 | 476-2330-J-10 | RES CHIP 33 OHM 1/10W 5% | C 220 | 150-0439 | CAP E 10UF/16V 20% |
| R 712 | 476-2330-J-10 | RES CHIP 33 OHM 1/10W 5% | C 221 | 150-0439 | CAP E 10UF/16V 20% |
| R 713 | 476-2330-J-10 | RES CHIP 33 OHM 1/10W 5% | C 222 | 150-0439 | CAP E 10UF/16V 20% |
| R 714 | 476-2330-J-10 | RES CHIP 33 OHM 1/10W 5% | C 223 | 151-0413 | CAP CER CP 2200PF/50V B K |
| R 715 | 476-2330-J-10 | RES CHIP 33 OHM 1/10W 5% | C 224 | 151-0405 | CAP CER CP 0.1UF/16V F Z |
| R 716 | 476-2330-J-10 | RES CHIP 33 OHM 1/10W 5% | C 225 | 151-0411 | CAP CER CP 8200PF/50V B K |
| R 717 | 476-2330-J-10 | RES CHIP 33 OHM 1/10W 5% | C 226 | 151-0413 | CAP CER CP 2200PF/50V B K |
| R 718 | 479-5010-J-10 | RES CHIP 0 OHM 1/10W | C 227 | 151-0411 | CAP CER CP 8200PF/50V B K |
| R 801 | NOT USED | NOT USED | C 228 | 150-0439 | CAP E 10UF/16V 20% |
| R 802 | 479-5010-J-10 | RES CHIP 0 OHM 1/10W | C 229 | 150-0439 | CAP E 10UF/16V 20% |
| C 101 | NOT USED | NOT USED | C 230 | 151-0411 | CAP CER CP 8200PF/50V B K |
| C 103 | NOT USED | NOT USED | C 231 | 151-0411 | CAP CER CP 8200PF/50V B K |
| C 104 | 150-0439 | CAP E 10UF/16V 20% | C 232 | 150-0439 | CAP E 10UF/16V 20% |
| C 105 | 151-0405 | CAP CER CP 0.1UF/16V F Z | C 233 | 150-0439 | CAP E 10UF/16V 20% |
| C 109 | 151-0405 | CAP CER CP 0.1UF/16V F Z | C 234 | 150-0439 | CAP E 10UF/16V 20% |
| C 110 | 150-0439 | CAP E 10UF/16V 20% | C 235 | 150-0439 | CAP E 10UF/16V 20% |
| C 111 | NOT USED | NOT USED | C 236 | 150-0439 | CAP E 10UF/16V 20% |
| C 112 | NOT USED | NOT USED | C 237 | 150-0439 | CAP E 10UF/16V 20% |
| C 113 | 151-0406 | CAP CER CP 100PF/50V SL J | C 238 | 150-0440 | CAP E 100UF/6.3V 20% |
| C 114 | 151-0405 | CAP CER CP 0.1UF/16V F Z | C 239 | 150-0439 | CAP E 10UF/16V 20% |
| C 115 | 150-0439 | CAP E 10UF/16V 20% | C 240 | 150-0439 | CAP E 10UF/16V 20% |
| C 116 | NOT USED | NOT USED | C 301 | 150-0440 | CAP E 100UF/6.3V 20% |
| C 117 | NOT USED | NOT USED | C 302 | 151-0405 | CAP CER CP 0.1UF/16V F Z |
| C 118 | 151-0406 | CAP CER CP 100PF/50V SL J | C 303 | 150-0441 | CAP E 100UF/6.3V 20% |
| C 119 | 151-0405 | CAP CER CP 0.1UF/16V F Z | C 304 | 151-0405 | CAP CER CP 0.1UF/16V F Z |
| C 120 | 151-0405 | CAP CER CP 0.1UF/16V F Z | C 305 | 150-0249 | CAP E 330UF 16V U-TYPE |
| C 122 | 150-0439 | CAP E 10UF/16V 20% | C 306 | 150-0440 | CAP E 100UF/6.3V 20% |
| C 123 | NOT USED | NOT USED | C 401 | 151-0456 | CAP CER CP 0.33UF/16V R K |
| C 124 | NOT USED | NOT USED | C 403 | 150-0249 | CAP E 330UF/16V U-TYPE |
| C 125 | NOT USED | NOT USED | C 404 | 150-0440 | CAP E 100UF/6.3V 20% |
| C 126 | 151-0405 | CAP CER CP 0.1UF/16V F Z | C 405 | NOT USED | NOT USED |
| C 127 | 150-0439 | CAP E 10UF/16V 20% | C 406 | 150-0301 | CAP E 470UF/6.3V U-TYPE |
| C 128 | 151-0405 | CAP CER CP 0.1UF/16V F Z | C 407 | 150-0329 | CAP E 3.3UF/50V U-TYPE |
| C 129 | 150-0439 | CAP E 10UF/16V 20% | C 408 | 150-0440 | CAP E 100UF/6.3V 20% |
| C 130 | 151-0405 | CAP CER CP 0.1UF/16V F Z | C 409 | 150-0440 | CAP E 100UF/6.3V 20% |
| C 131 | 150-0439 | CAP E 10UF/16V 20% | C 410 | 150-0442 | CAP E 0.47UF/50V 20% |
| C 132 | 150-0439 | CAP E 10UF/16V 20% | C 411 | 150-0443 | CAP E 22UF/6.3V 20% |
| C 133 | 151-0405 | CAP CER CP 0.1UF/16V F Z | C 412 | 150-0443 | CAP E 22UF/6.3V 20% |
| C 135 | 151-0405 | CAP CER CP 0.1UF/16V F Z | C 412 | 150-0467 | CAP E 47UF/6.3V 20% |
| C 136 | NOT USED | NOT USED | C 413 | 150-0016 | CAP E 1UF/50V |
| C 137 | 151-0405 | CAP CER CP 0.1UF/16V F Z | C 414 | 150-0442 | CAP E 0.47UF/50V 20% |
| C 138 | 151-0405 | CAP CER CP 0.1UF/16V F Z | C 415 | 151-0415 | CAP CER CP 3900PF/50V B K |
| C 139 | 150-0439 | CAP E 10UF/16V 20% | C 416 | 151-0416 | CAP CER CP 5PF/50V CH C |
| C 141 | NOT USED | NOT USED | C 417 | 151-0506 | CAP CER CP 0.033UF/25V B K |
| C 143 | 151-0409 | CAP CER CP 1000PF/50V B K | C 418 | 151-0418 | CAP CER CP 0.01UF/50V B K |
| C 144 | 151-0405 | CAP CER CP 0.1UF/16V F Z | C 418 | 151-0509 | CAP CER CP 0.01UF/25V B K |
| C 145 | NOT USED | NOT USED | C 419 | 151-0506 | CAP CER CP 0.033UF/25V B K |
| C 146 | NOT USED | NOT USED | C 420 | 151-0418 | CAP CER CP 0.01UF/50V B K |
| C 201 | 150-0440 | CAP E 100UF/6.3V 20% | C 420 | 151-0509 | CAP CER CP 0.01UF/25V B K |
| C 202 | NOT USED | NOT USED | C 421 | 151-0418 | CAP CER CP 0.01UF/50V B K |
| C 203 | NOT USED | NOT USED | C 421 | 151-0509 | CAP CER CP 0.01UF/25V B K |
| C 204 | NOT USED | NOT USED | C 422 | 151-0418 | CAP CER CP 0.01UF/50V B K |
| C 206 | 150-0439 | CAP E 10UF/16V 20% | C 422 | 151-0509 | CAP CER CP 0.01UF/25V B K |
| C 207 | 150-0439 | CAP E 10UF/16V 20% | C 422 | 479-5010-J-10 | RES CHIP 0OHM 1/10W |
| C 208 | 150-0439 | CAP E 10UF/16V 20% | C 423 | 151-0413 | CAP CER CP 2200PF/50V B K |
| C 209 | 150-0439 | CAP E 10UF/16V 20% | C 424 | 151-0507 | CAP CER CP 0.1UF/25V B K |
| C 210 | 150-0439 | CAP E 10UF/16V 20% | C 425 | 151-0506 | CAP CER CP 0.033UF/25V B K |
| C 211 | 151-0410 | CAP CER CP 680PF/50V B K | C 426 | 151-0506 | CAP CER CP 0.033UF/25V B K |
| C 212 | 151-0410 | CAP CER CP 680PF/50V B K | C 427 | 151-0507 | CAP CER CP 0.1UF/25V B K |
| C 213 | 151-0405 | CAP CER CP 0.1UF/16V F Z | C 428 | 151-0508 | CAP CER CP 0.056UF/16V B K |
| C 214 | 151-0411 | CAP CER CP 8200PF/50V B K | C 428 | NOT USED | NOT USED |
| C 215 | 151-0411 | CAP CER CP 8200PF/50V B K | | | |

[KS, KM]
[SS, SM]

[NOTE] [KS]: SEGA CD II, CD DRIVE UNIT P/N 610-5608
[KM]: MEGA CD II, CD DRIVE UNIT P/N 610-5608

[SS]: SEGA CD II, CD DRIVE UNIT P/N 610-5603
[SM]: MEGA CD II, CD DRIVE UNIT P/N 610-5603

4-4. Accessories/Package List

| Circuit No. | Parts No. | Description | No. | Parts No. | Description |
|-------------|-----------|-----------------------------------|-----|--------------|---|
| C 429 | 151-0507 | CAP CER CP 0.1UF/25V B K | 1 | 610-5507 | ASSY CD ROM MDP ROAD AVENGER [KM, SM] |
| C 430 | 151-0421 | CAP CER CH 4700PF/50V B K | | | |
| C 431 | 151-0409 | CAP CER CP 1000PF/50V B K | 2 | 400-5100B | AC ADAPTOR AC120V/DC10V 1.2A [KS, SS] |
| C 432 | 151-0506 | CAP CER CP 0.033UF/25V B K | 2 | 400-5100B-01 | AC ADAPTOR AC120V/DC10V 1.2A [KS, SS] |
| C 433 | 151-0405 | CAP CER CP 0.1UF/16V F Z | 2 | 400-5122C | AC ADAPTOR AC230V/DC10V 1.2A [KM, SM] |
| C 435 | 151-0422 | CAP CER CP 24PF/50V CH J | 3 | 600-6201 | STEREO MIXING CABLE W/CORE |
| C 436 | 151-0422 | CAP CER CP 24PF/50V CH J | 4 | 600-6204 | AUDIO RCA CABLE L=2M UNION [KM, SM] |
| C 438 | 151-0405 | CAP CER CP 0.1UF/16V F Z | 5 | 610-5491 | ASSY SPACER MEGA-CD2 EXPORT |
| C 439 | 151-0405 | CAP CER CP 0.1UF/16V F Z | 6 | 250-5346 | HOLD PLATE SPACER MEGA-CD2 A |
| C 441 | 151-0405 | CAP CER CP 0.1UF/16V F Z | 7 | 250-5333 | RETAINER BRACKET CD2 EXPORT |
| C 442 | 151-0405 | CAP CER CP 0.1UF/16V F Z | 8 | 250-5329 | CONN PLATE A ACCESSORY CD2 EXP |
| C 443 | 151-0405 | CAP CER CP 0.1UF/16V F Z | 9 | 250-5330 | CONN PLATE B ACCESSORY CD2 EXP |
| C 444 | 151-0405 | CAP CER CP 0.1UF/16V F Z | 10 | 000-F00410 | M SCR FH M4X10 |
| C 447 | 151-0405 | CAP CER CP 0.1UF/16V F Z | 11 | 671-3240-01 | MA CTN SEGA-CD2 USA [KS, SS] |
| C 449 | 151-0405 | CAP CER CP 0.1UF/16V F Z | 11 | 671-3240-01E | MA CTN SEGA-CD2 USA E [KS, SS] |
| C 450 | 150-0441 | CAP E 1000UF/6.3V 20% | 11 | 671-3240-03 | MA CTN MEGA-CD2 MULTI 4180 [KM, SM] |
| C 451 | 151-0436 | CAP CER CP 15PF/50V CH J [KS, KM] | 11 | 671-3240-06 | MA CTN MEGA-CD2 MULTI 4182 [KM, SM] |
| C 451 | 151-0501 | CAP CER CP 8PF/50V CH J [SS, SM] | 12 | 672-1257 | OPERATION MANUAL CD2 USA [KS, SS] |
| C 452 | 151-0405 | CAP CER CP 0.1UF/16V F Z | 12 | 672-1258 | OPERATION MANUAL CD2 MULTI [KM, SM] |
| C 453 | 151-0405 | CAP CER CP 0.1UF/16V F Z | 12 | 672-1258-01 | OPERATION MANUAL CD2 MULTI 01 [KM, SM] |
| C 454 | 151-0409 | CAP CER CP 1000PF/50V B K | 12 | 672-1258-02 | OPERATION MANUAL CD2 MULTI 02 [KM, SM] |
| C 455 | 150-0016 | CAP E 1UF/50V | 12 | 672-1258-02A | OPERATION MANUAL CD2 MULTI 02A [KM, SM] |
| C 601 | 151-0507 | CAP CER CP 0.1UF/25V B K | 13 | 671-3322-01 | BOX & PACK SET CD2 USA [KS, SS] |
| C 701 | NOT USED | NOT USED | 13 | 671-3980-01 | BOX & PACK SET CD2 USA DP [KS, SS] |
| C 702 | 151-0437 | CAP CER CP 150PF/50V CH J | 13 | 671-3322-03 | BOX & PACK SET CD2 MULTI 4180 [KM, SM] |
| C 703 | 151-0437 | CAP CER CP 150PF/50V CH J | 13 | 671-3322-06 | BOX & PACK SET CD2 MULTI 4182 [KM, SM] |
| C 704 | 151-0437 | CAP CER CP 150PF/50V CH J | 13 | 671-3980-03 | BOX & PACK SET CD2 MUL 4180 DP [KM, SM] |
| C 705 | 151-0437 | CAP CER CP 150PF/50V CH J | 13 | 671-3980-05 | BOX & PACK SET CD2 MUL 4182 DP [KM, SM] |
| C 706 | 151-0437 | CAP CER CP 150PF/50V CH J | 14 | 670-3211 | BUSINESS REPLY MAIL CD2 USA [KS, SS] |
| C 707 | 151-0437 | CAP CER CP 150PF/50V CH J | 14 | 670-2779 | EPILEPSY WARNING SHEET MULTI [KM, SM] |
| C 708 | 151-0437 | CAP CER CP 150PF/50V CH J | 14 | 670-3551 | EPILEPSY WARNING SHEET MUL V2 [KM, SM] |
| C 709 | 151-0437 | CAP CER CP 150PF/50V CH J | 15 | 670-3311 | GUARANTEE CARD CD2 MULTI [KM, SM] |
| C 710 | 151-0437 | CAP CER CP 150PF/50V CH J | 15 | 670-3311-01 | GUARANTEE CARD CD2 MULTI 01 [KM, SM] |
| C 711 | 151-0437 | CAP CER CP 150PF/50V CH J | 16 | SGM-4218 | POLY BAG 300*550*0.05 EXP 6 |
| C 712 | 151-0437 | CAP CER CP 150PF/50V CH J | 17 | SGM-4245 | POLY BAG 200*310*0.05 EXP 6 |
| C 713 | 151-0437 | CAP CER CP 150PF/50V CH J | 19 | SGM-4207 | POLY BAG 70*100*0.05 |
| C 714 | 151-0437 | CAP CER CP 150PF/50V CH J | 20 | SGM-4220 | POLY BAG 120*300*0.02 |
| C 715 | 151-0437 | CAP CER CP 150PF/50V CH J | 21 | SGM-4259 | POLY BAG 80*180*0.05 |
| C 716 | 151-0437 | CAP CER CP 150PF/50V CH J | 22 | 670-3265 | CROSS SELL POSTER GEN2 USA [KS, SS] |
| C 717 | 151-0437 | CAP CER CP 150PF/50V CH J | | | |
| C 810 | NOT USED | NOT USED | | | |
| C 901 | NOT USED | NOT USED | | | |
| C 902 | NOT USED | NOT USED | | | |
| C 903 | 150-0440 | CAP E 100UF/6.3V 20% | | | |
| C 920 | 151-0438 | CAP CER CP 0.022UF/25V B K | | | |
| C 921 | 151-0405 | CAP CER CP 0.1UF/16V F Z | | | |
| C 922 | 151-0439 | CAP CER CP 47PF/50V CH J | | | |
| C 923 | 151-0439 | CAP CER CP 47PF/50V CH J | | | |
| C 930 | 151-0405 | CAP CER CP 0.1UF/16V F Z | | | |
| C 931 | 151-0405 | CAP CER CP 0.1UF/16V F Z | | | |
| C 932 | NOT USED | NOT USED | | | |
| C 933 | 151-0405 | CAP CER CP 0.1UF/16V F Z | | | |
| C 934 | 151-0405 | CAP CER CP 0.1UF/16V F Z | | | |
| C 951 | 151-0405 | CAP CER CP 0.1UF/16V F Z | | | |
| C 952 | 151-0405 | CAP CER CP 0.1UF/16V F Z | | | |

[NOTE] [KS]: SEGA CDII, CD DRIVE UNIT P/N 610-5608
 [KM]: MEGA CDII, CD DRIVE UNIT P/N 610-5608

[SS]: SEGA CDII, CD DRIVE UNIT P/N 610-5603
 [SM]: MEGA CDII, CD DRIVE UNIT P/N 610-5603

SEGA™