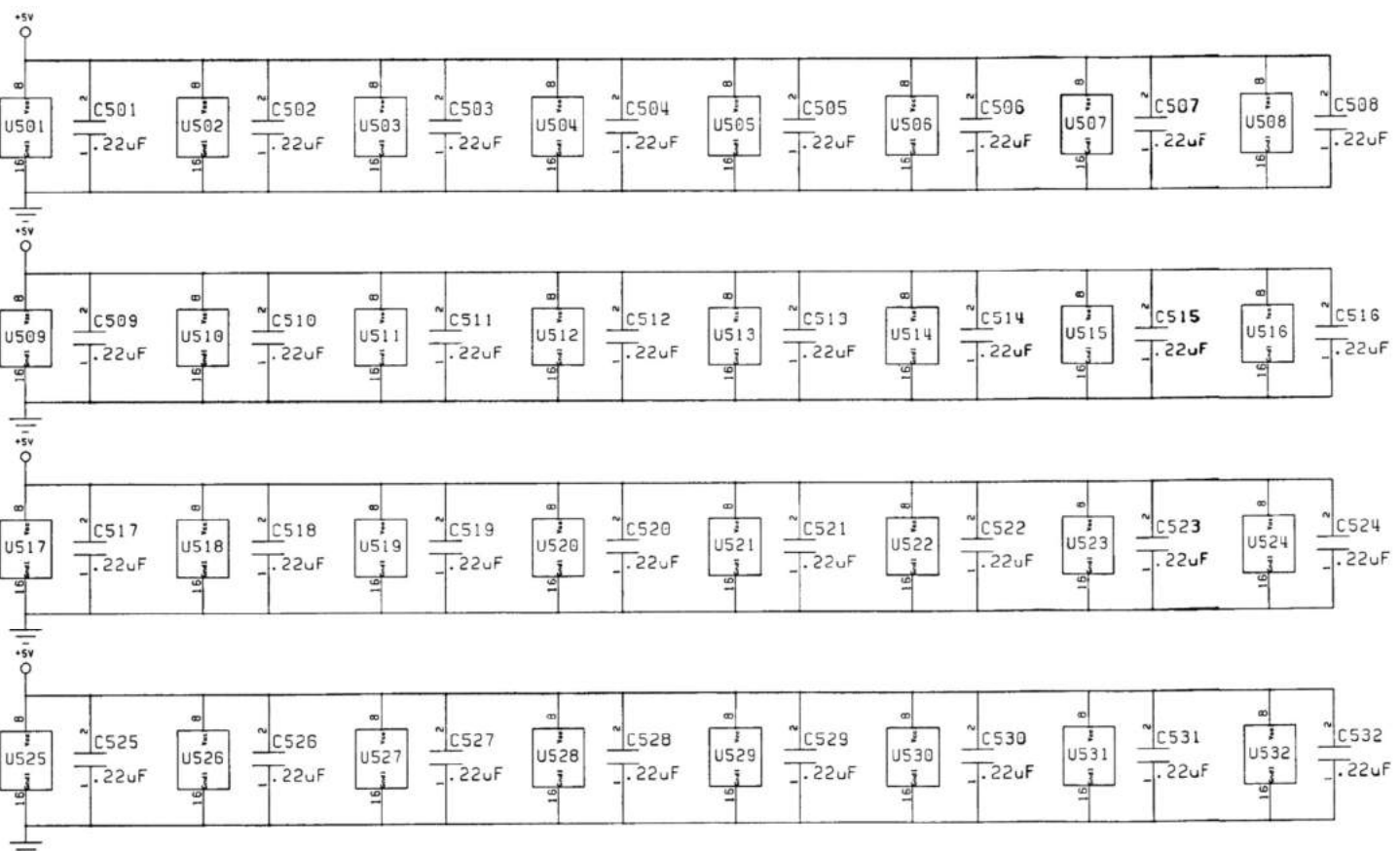
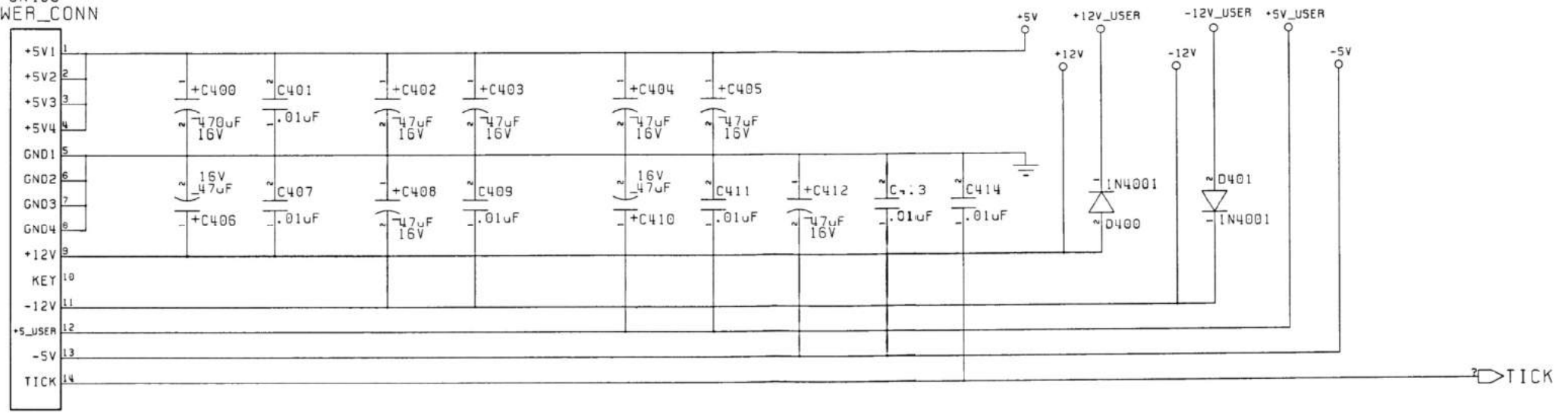
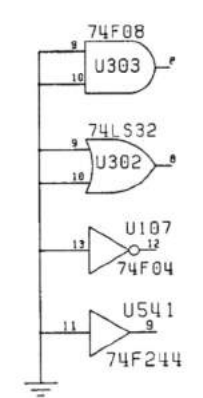


CN400
POWER_CONN

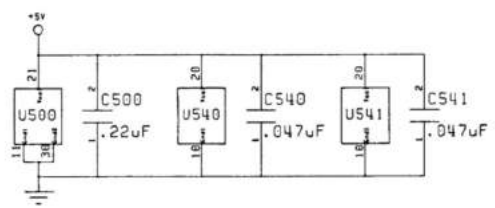
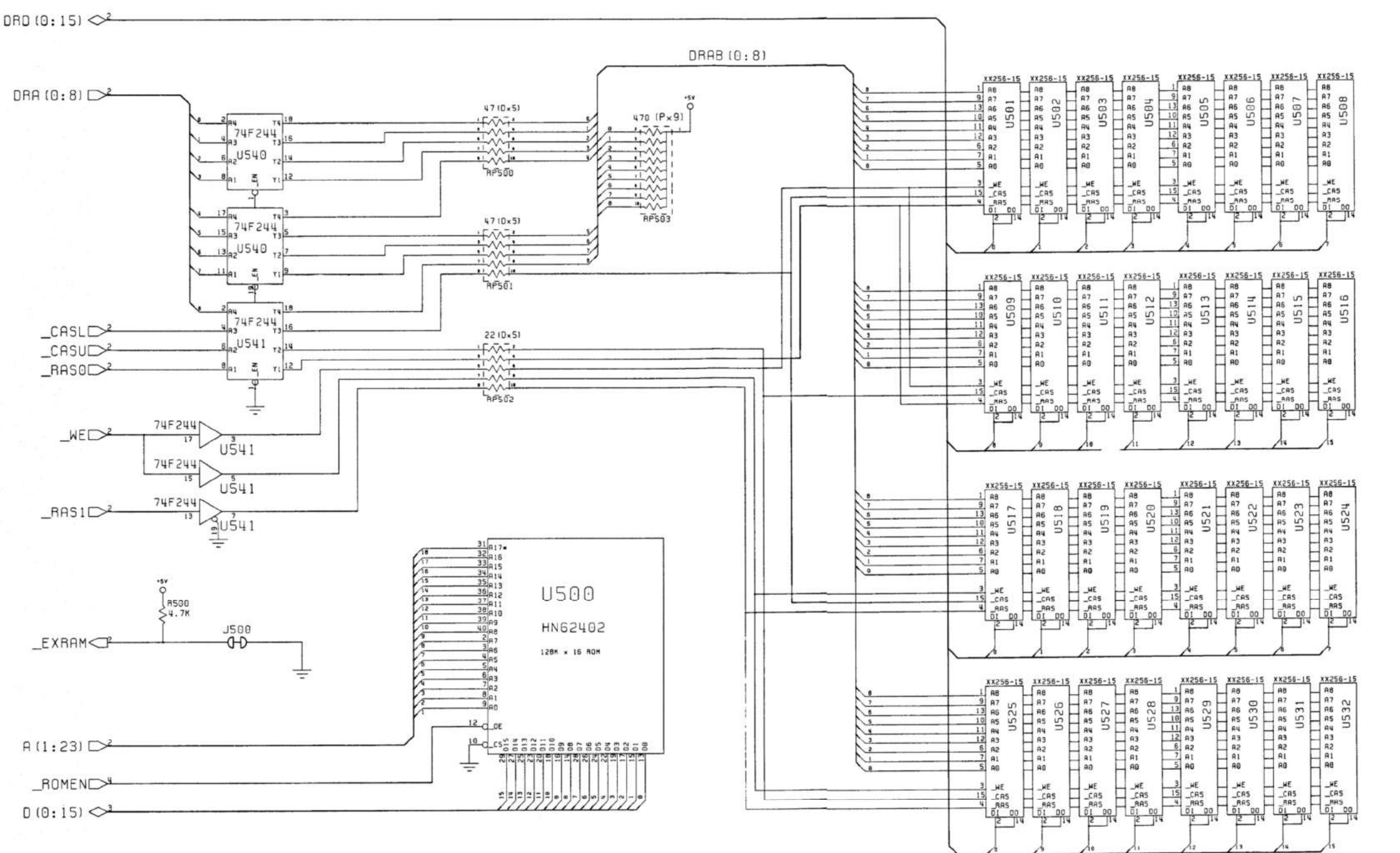


SPARES



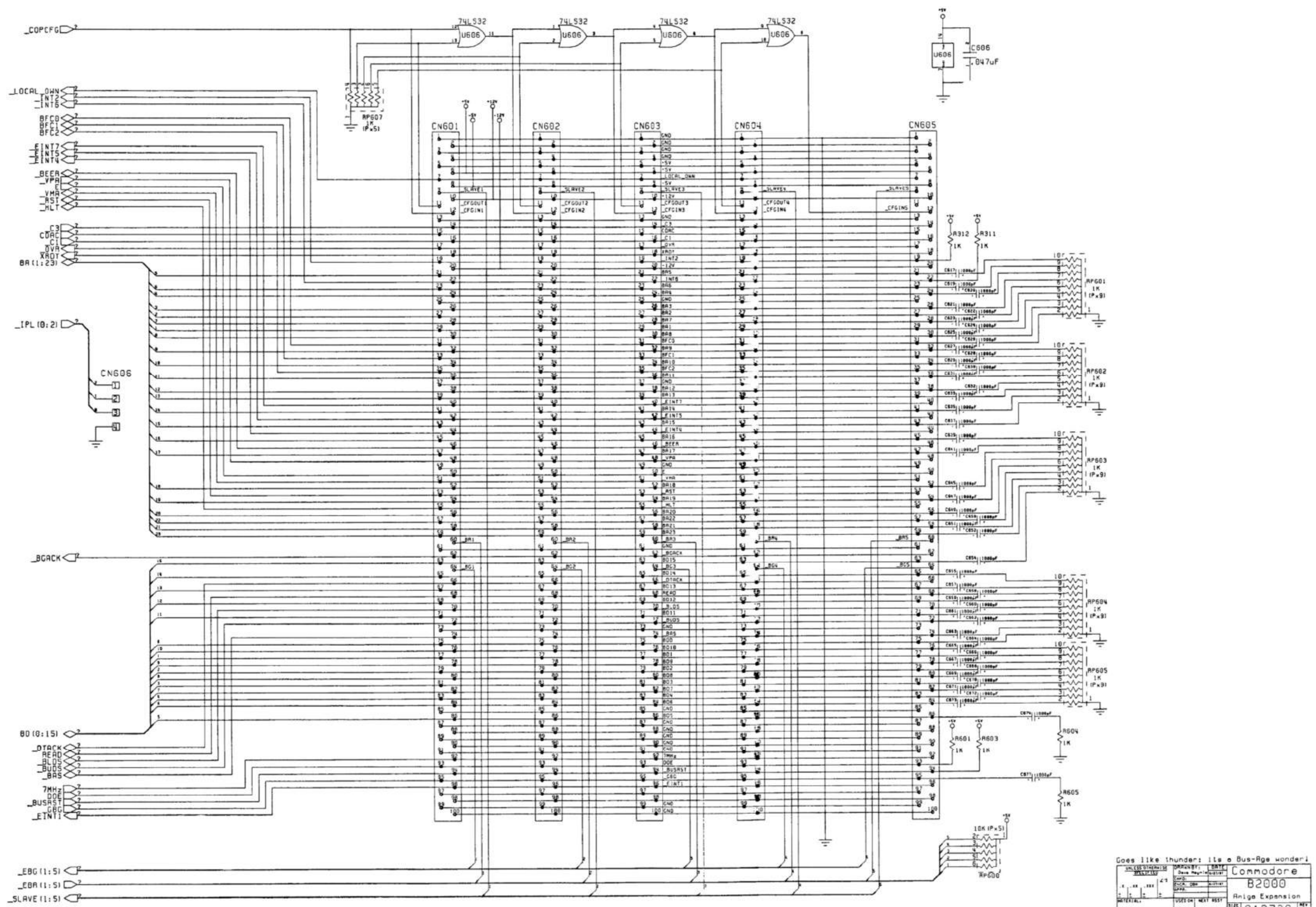
Baby, we were born to run...

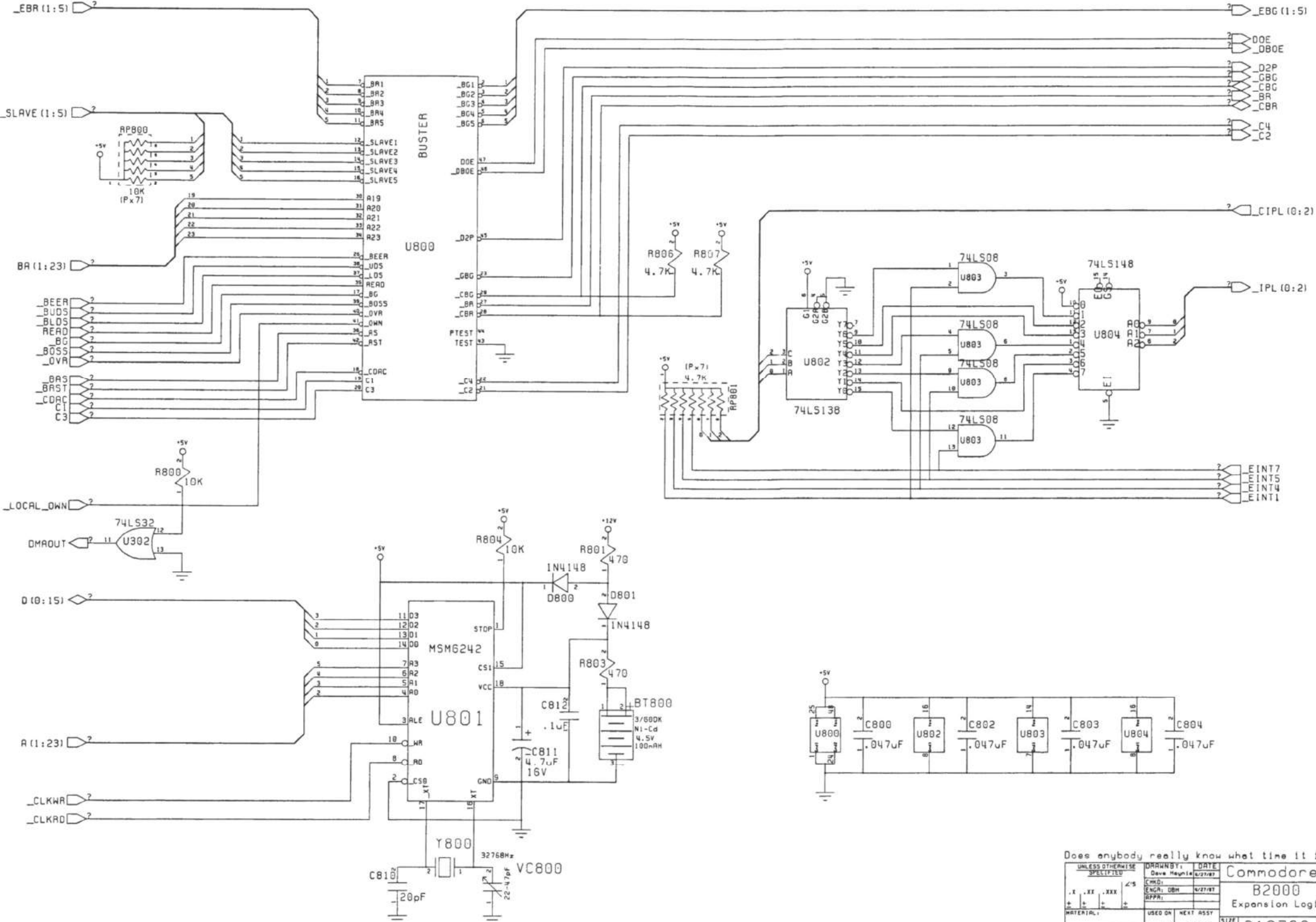
UNLESS OTHERWISE SPECIFIED		DRAWN BY: Dev. Hagun	DATE: 1/27/87	Commodore	
.X .XX .XXX		CHKD:		B2000	
+ - + - +		ENGR: DBH	1/27/87	Power	
FINISH:		APPR:		REV 2	
		USED ON:	NEXT ASSY:	SIZE: B	312726
		A2880-CN	312725	SCALE:	SHEET 4 OF 12



Memories (all alone in the moonlight)

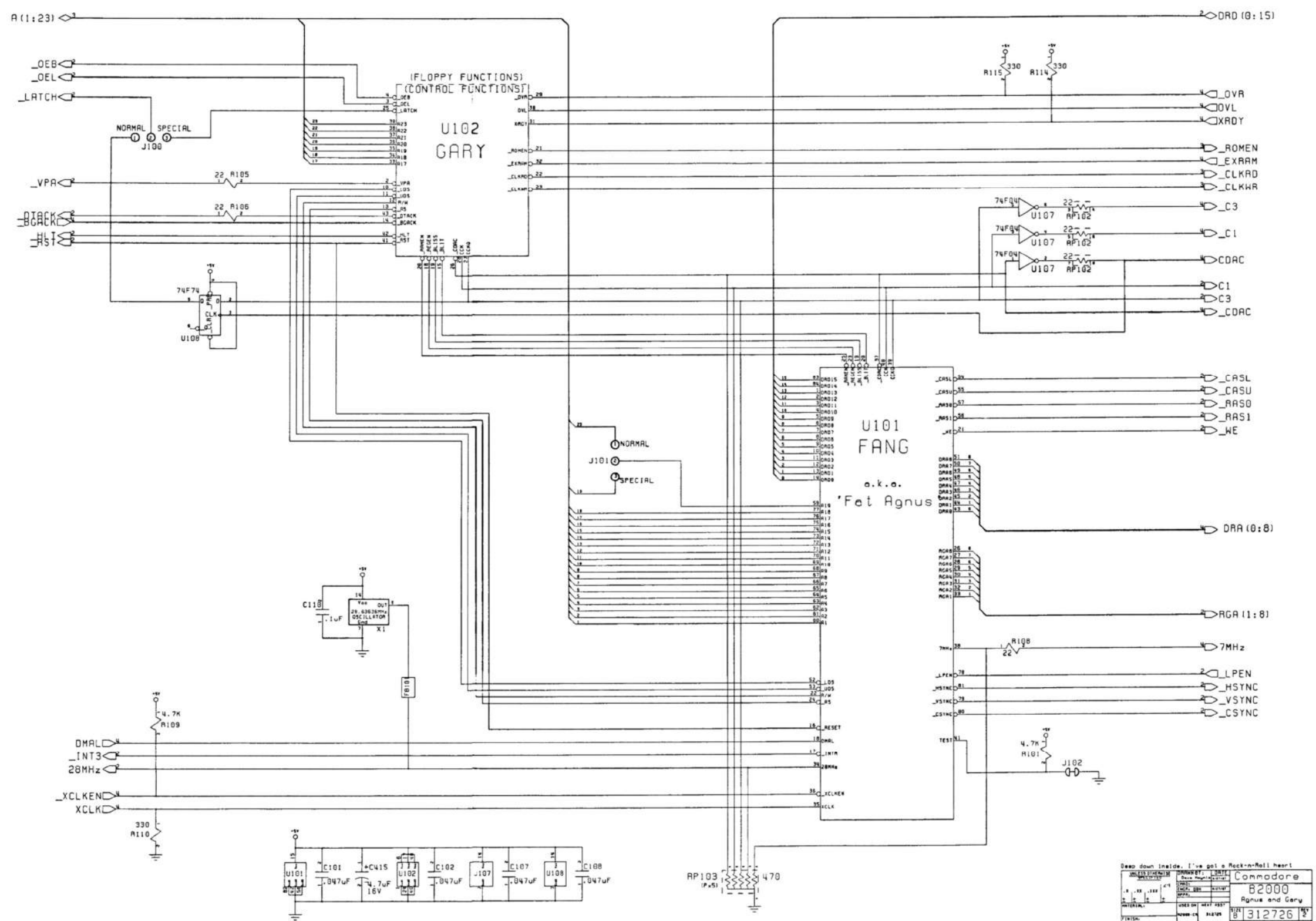
UNLESS OTHERWISE SPECIFIED:	DRAWN BY: DATE	Commodore
	Desig: Rev: (v2/17)	
.X .XX .XXX	ENGR: DPH	B2000
++ + +	GPPL:	Memory
MATERIAL:	USED ON NEXT ASSY:	SIZE B 312726
FINISH:	R2000-CF 312725	REV 2
		SCALE SHEET 5 OF 12

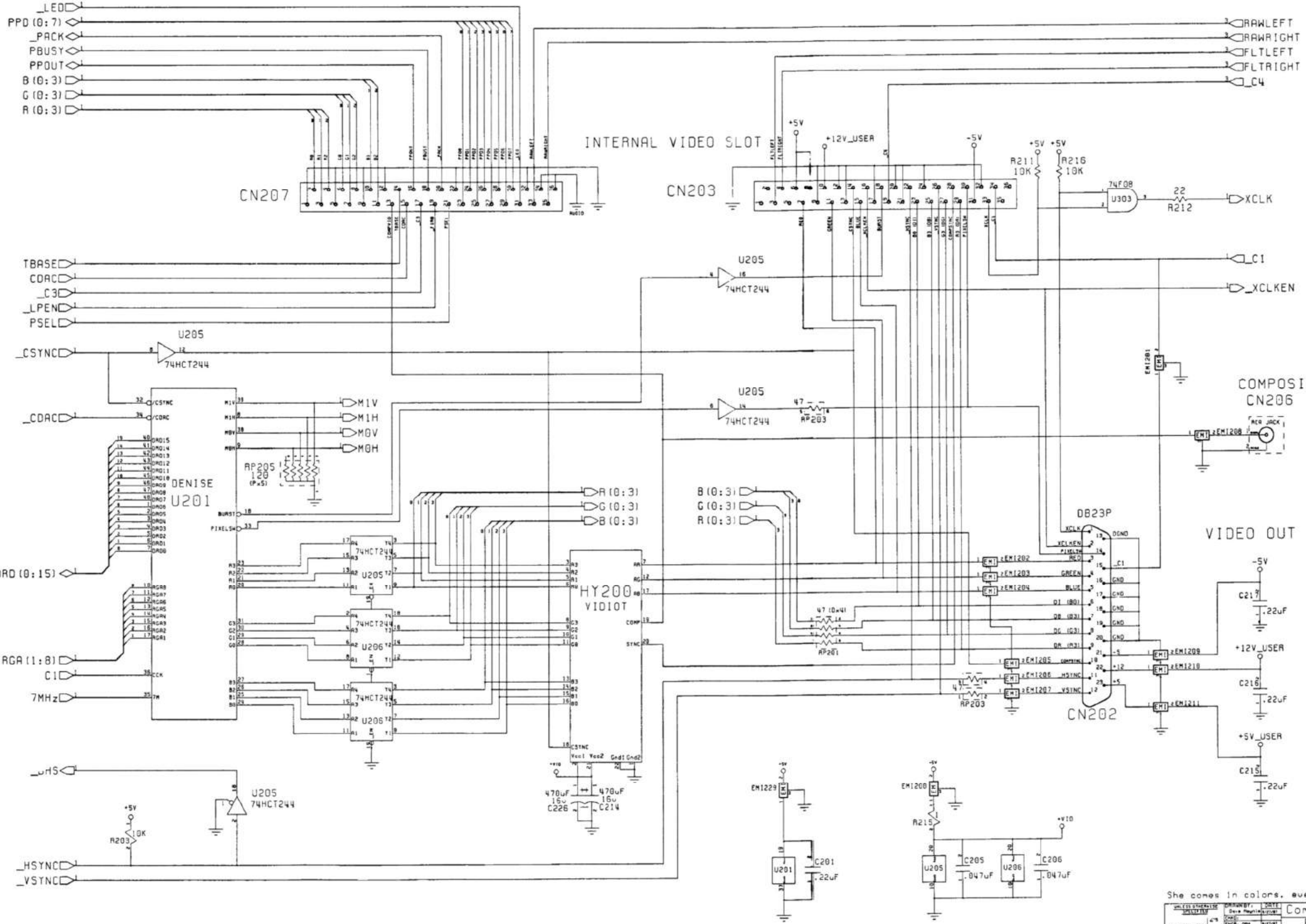




Does anybody really know what time it is?

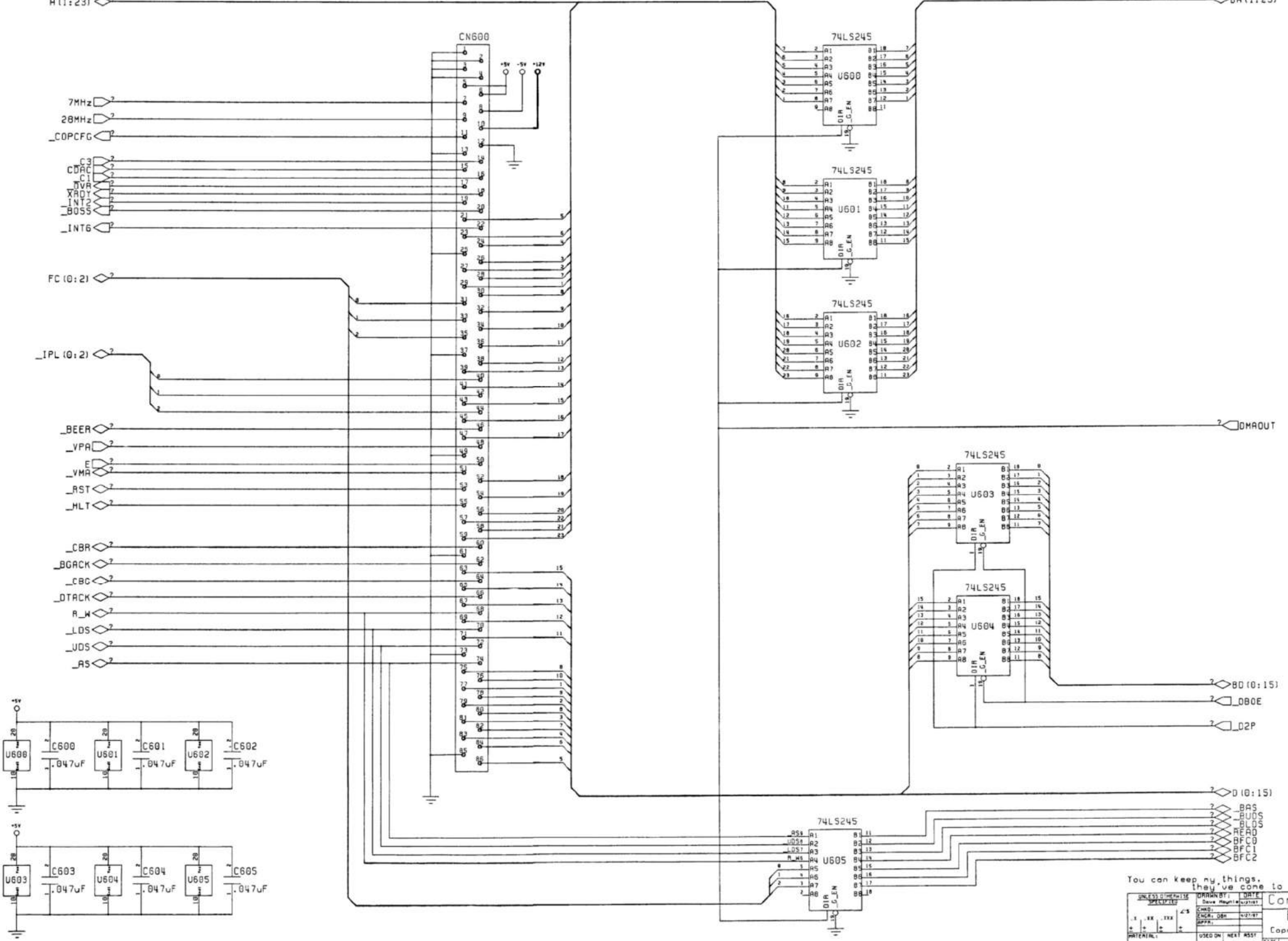
UNLESS OTHERWISE SPECIFIED	DRAWN BY: Dave Hagan	DATE: 8/27/81	Commodore
	CHKD:		
	ENGR: UBN	8/27/81	Expansion Logic
	APPR:		
MATERIAL:	USED ON	NEXT ASSY	SIZE
FINISH:	81000-CA	312725	8 312726
			SCALE SHEET 8 OF 12





A (1:23)

BA (1:23)



You can keep my things, they've come to take me home

DESIGNED BY: []	DRAWN BY: []	DATE: []	Commodore
CHECKED BY: []	DATE: []	DATE: []	B2000
DESIGNED BY: []	DATE: []	DATE: []	Coprocessor Slot
DESIGNED BY: []	DATE: []	DATE: []	312726
DESIGNED BY: []	DATE: []	DATE: []	SHEET 12 OF 12