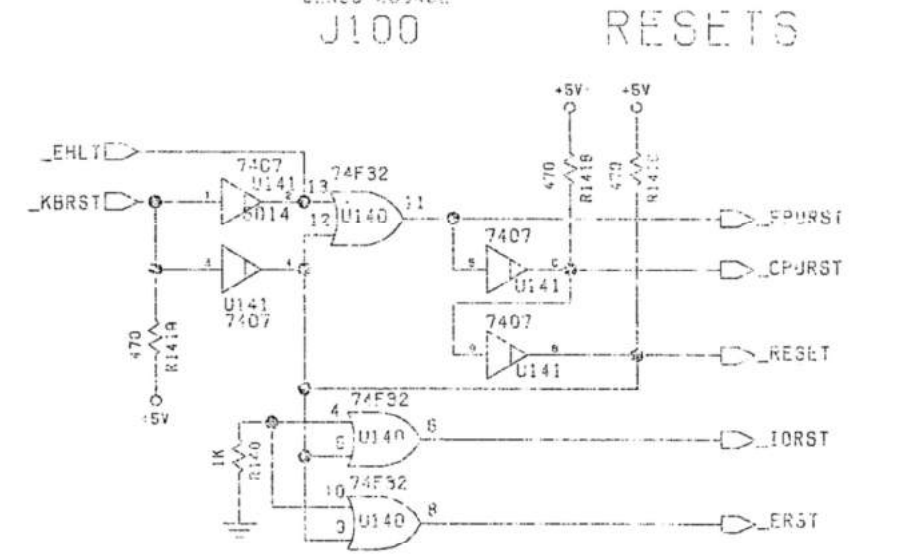
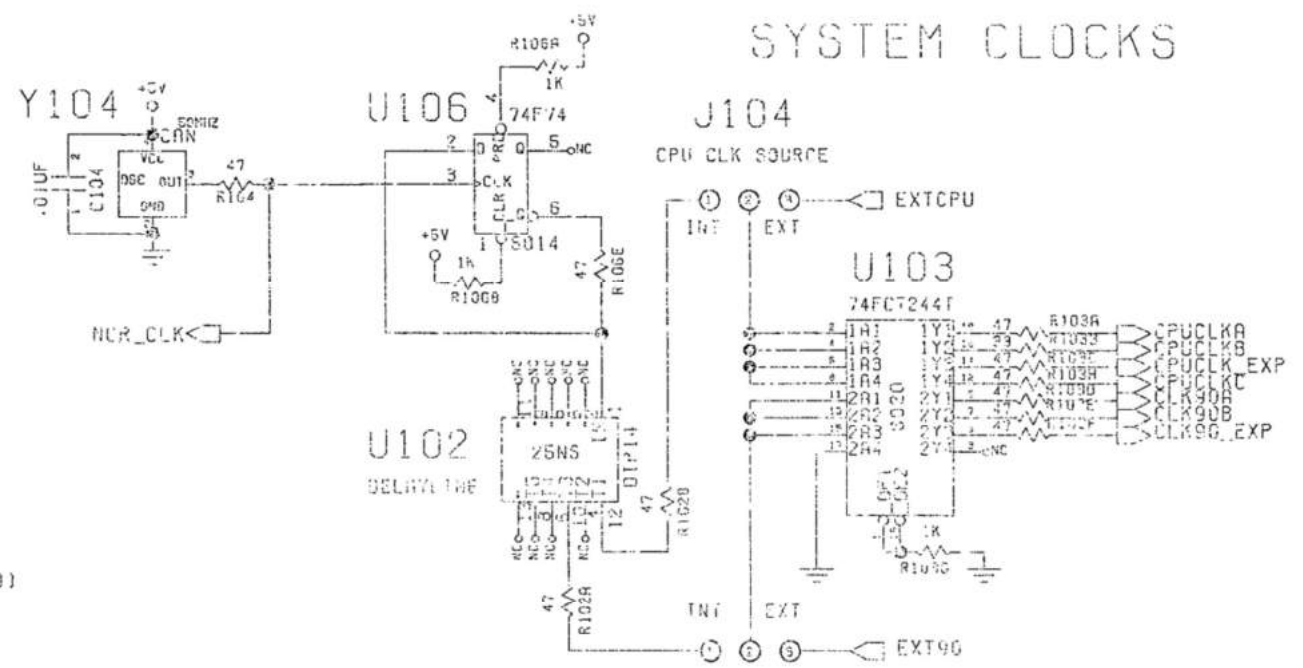


LEND U141-SUB TO SCSI
LEND U141-SUB TO HARDDISK
LEND U106-SUB TO GARY

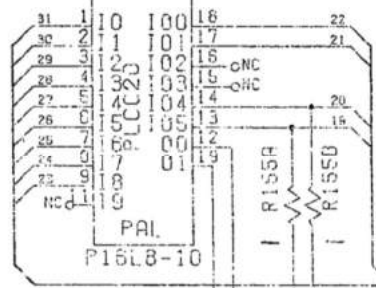


100-149

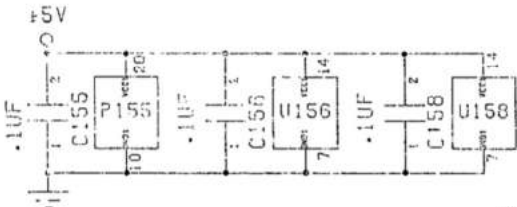
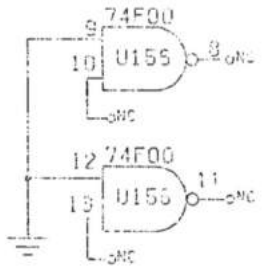
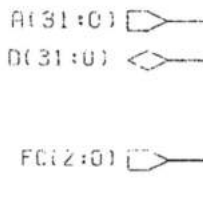
CLOCKS

© 1990 COMMODORE BUSINESS MACHINES INFORMATION CONTAINED HEREIN IS THE UNPUBLISHED, CONFIDENTIAL, AND TRADE SECRET PROPERTY OF COMMODORE BUSINESS MACHINES, INC. ANY USE, REPRODUCTION OR DISSEMINATION OF THIS INFORMATION WITHOUT THE PRIOR WRITTEN PERMISSION OF COMMODORE IS STRICTLY PROHIBITED.			PART NO. 100149 DATE 11/27/90	COMMODORE SCHEMATIC A4000T
C.R.D. GENERATED			SCALE 1:1 SHEET 2 OF 16	REV 1 365149

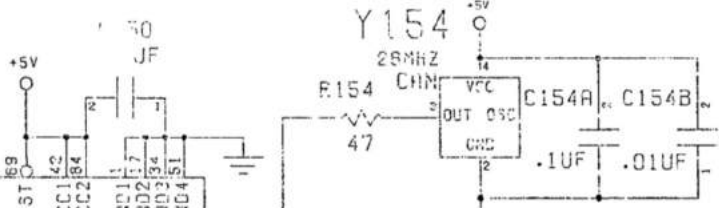
BIGROM P155



NOTE: ONLY STUFF R155A,B IF P155 PAL IS NOT INSTALLED.



LEND U158-SUB TO PAULA
BORROW U215-CUB FROM ALICE
BORROW U106-SUB FROM CLOCKS

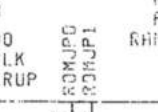


U150 F008



FAT GARY

PLCC84



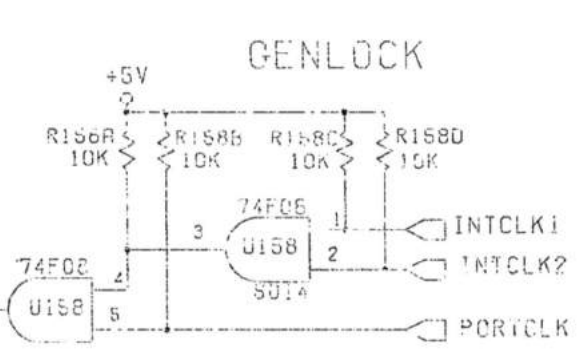
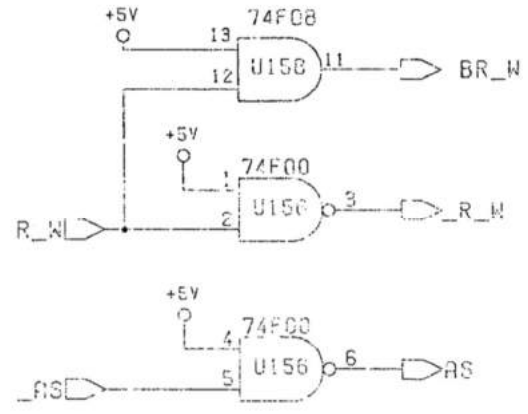
FPU DECODE

150-159

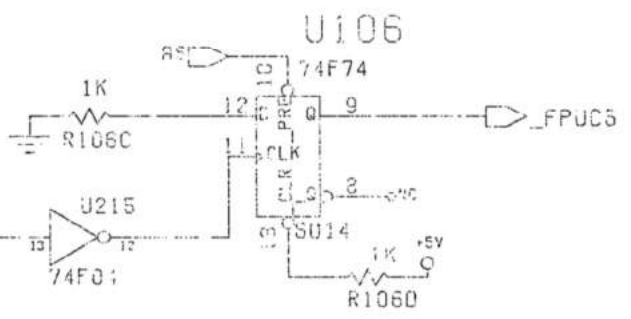
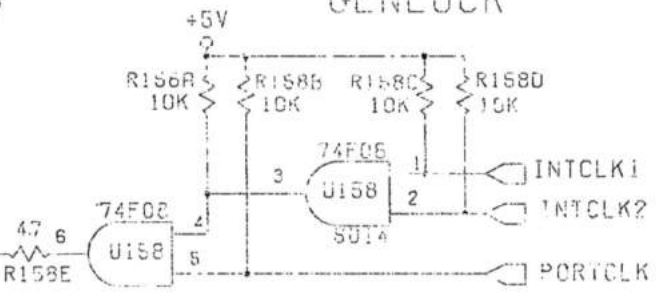
© 1990 COMMODORE BUSINESS MACHINES
INFORMATION CONTAINED HEREIN IS THE UNPUBLISHED,
CONFIDENTIAL AND TRADE SECRET PROPERTY OF
COMMODORE BUSINESS MACHINES, INC. ANY USE,
REPRODUCTION OR DISCLOSURE OF THIS INFORMATION
WITHOUT THE PRIOR WRITTEN PERMISSION OF
COMMODORE IS STRICTLY PROHIBITED.

C.R.D. GENERATED

NO REAL CHANGES MAY BE MADE TO THIS DOCUMENT!



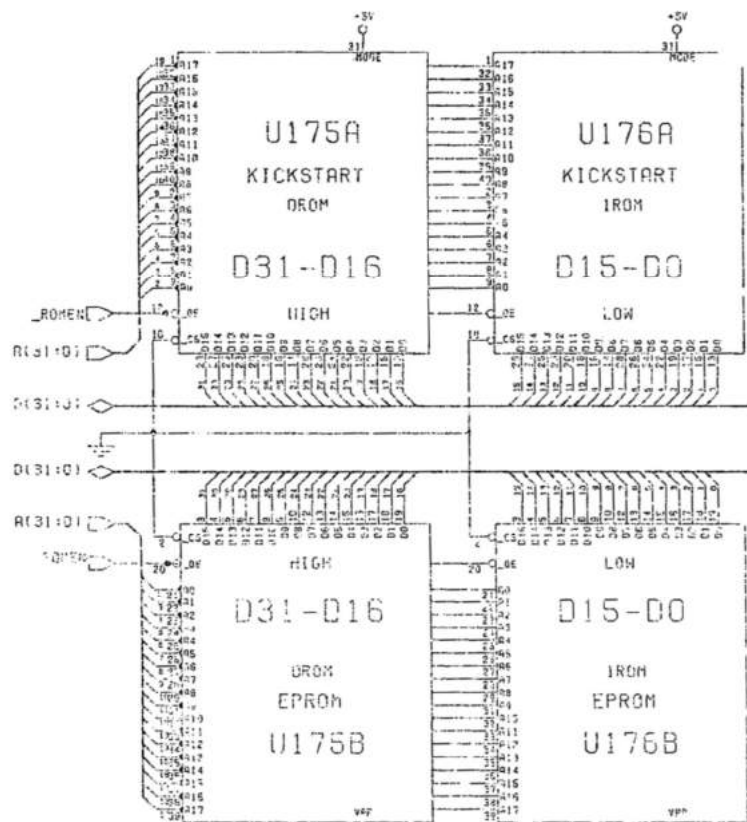
GENLOCK



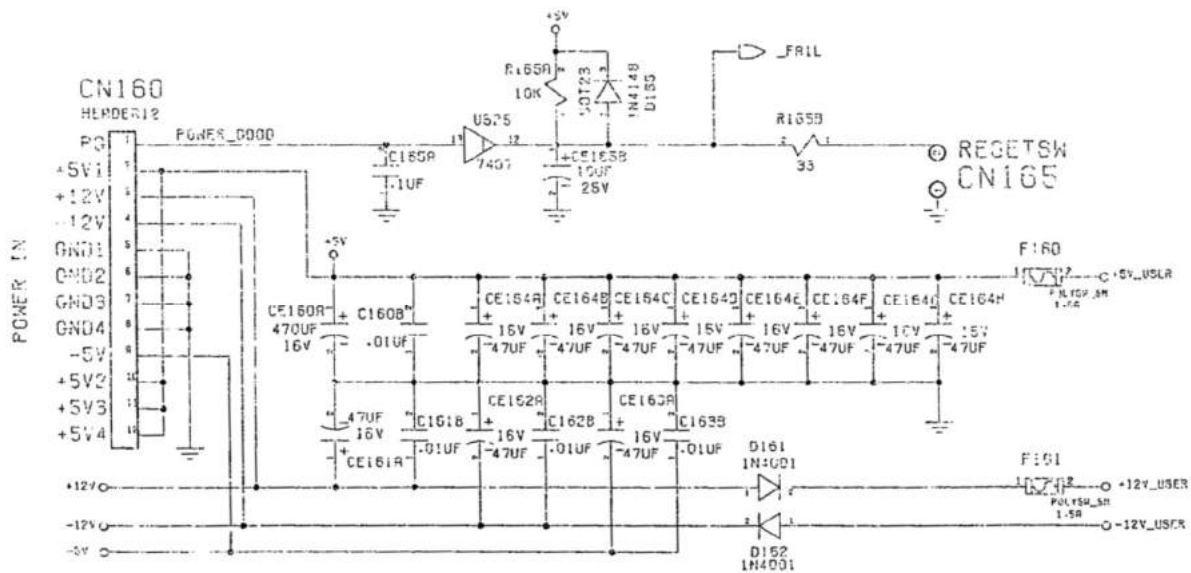
FAT GARY

	DRAWN BY: DATE:	COMMODORE SCHEMATIC A4000T
	CHECKED BY: APPROVED BY:	SIZE: 365149
REFERENCE GROUP:	UPRD ON: NEXT ASSY:	SCALE: NONE SHEET 3 OF 16

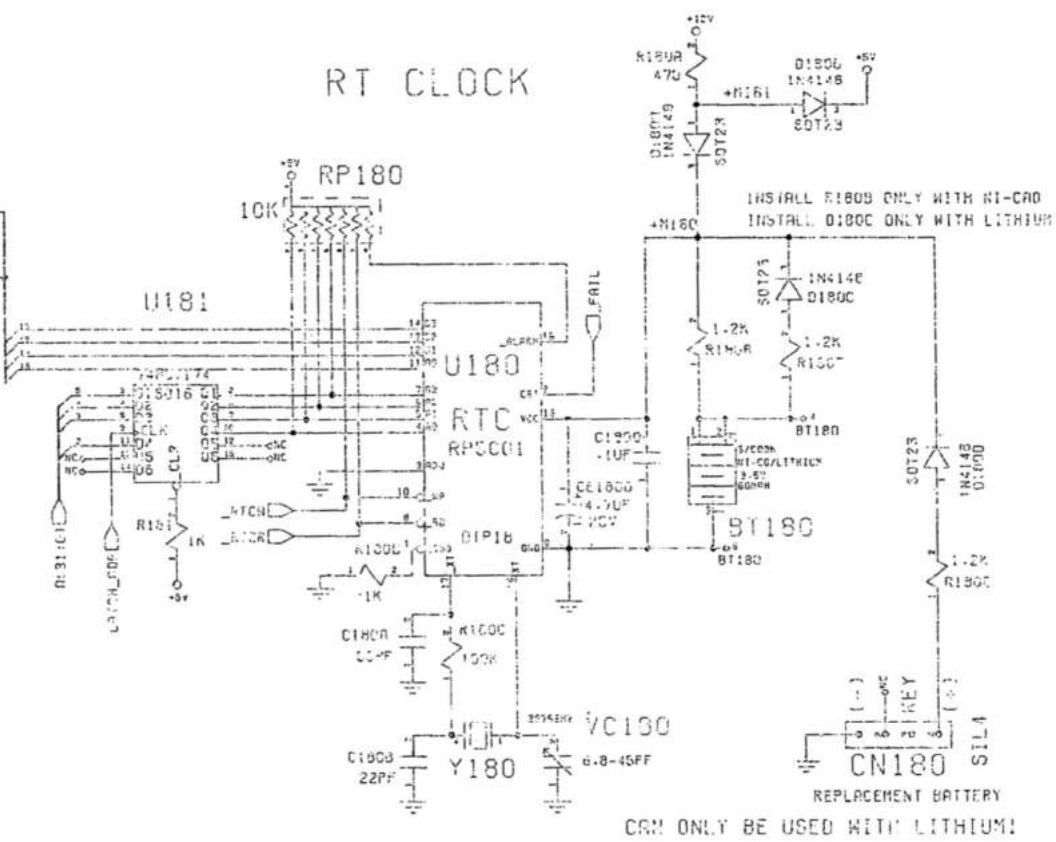
SYSTEM ROMS (27C400)



SYSTEM EPROMS (27C220)



RTC CLOCK



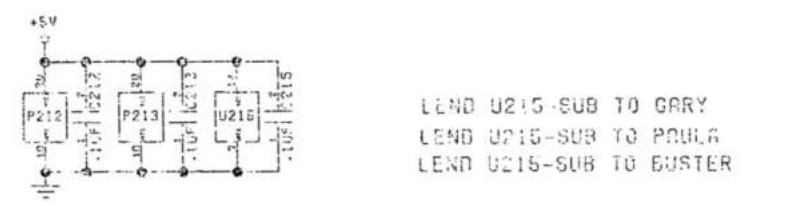
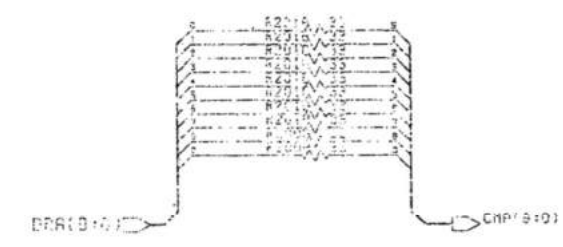
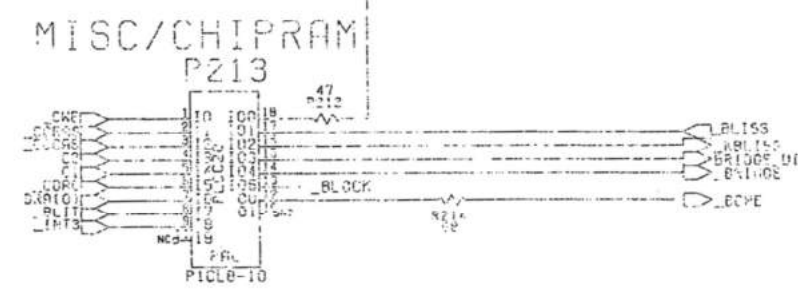
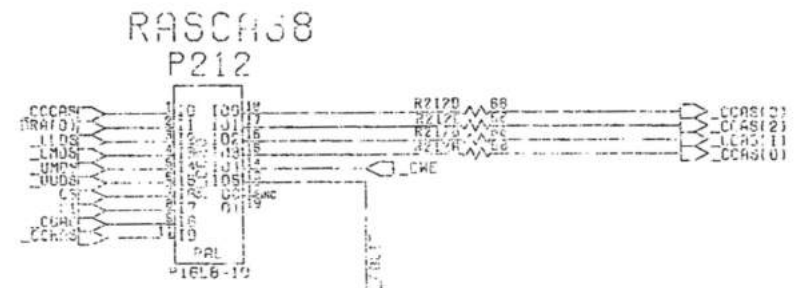
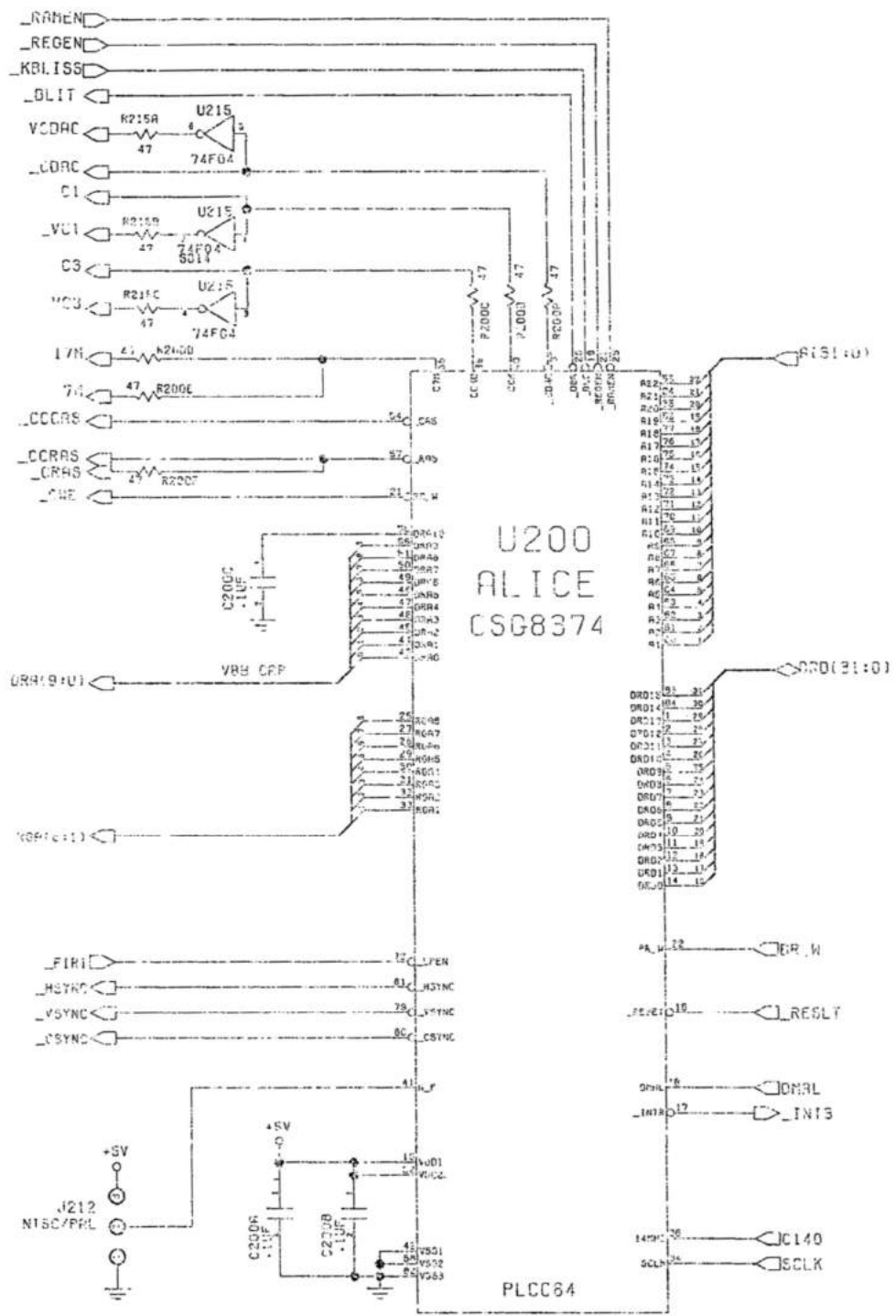
160-199

ROMS, RTC, POWER-IN

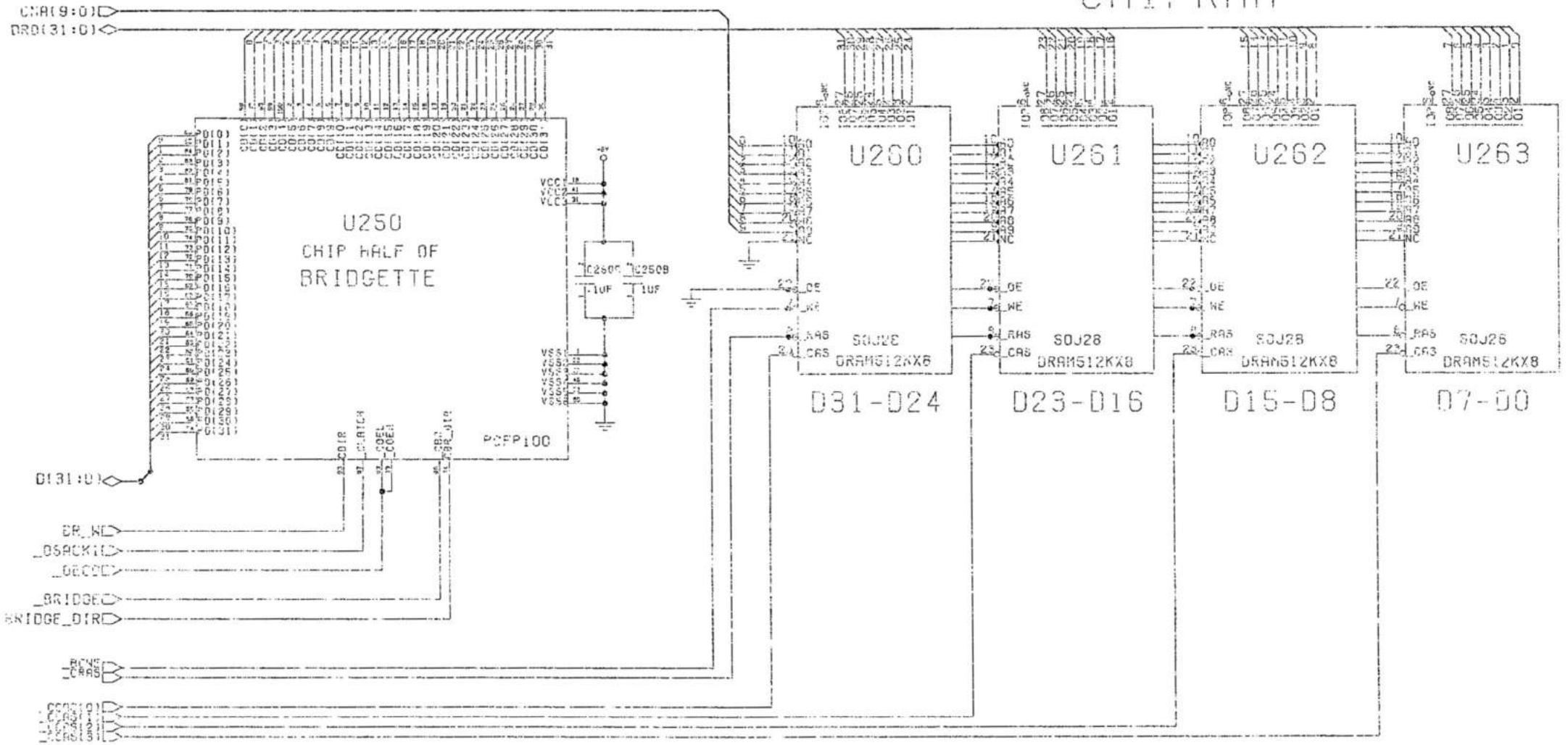
© 1990 COMMODORE BUSINESS MACHINES
 INFORMATION CONTAINED HEREIN IS THE UNPUBLISHED
 CONFIDENTIAL AND TRADE SECRET PROPERTY OF
 COMMODORE BUSINESS MACHINES. ANY USE
 REPRODUCTION OR CIRCULATION OF THIS INFORMATION
 WITHOUT THE PRIOR WRITTEN PERMISSION OF
 COMMODORE IS EXPRESSLY PROHIBITED.

C.F.D. GENERATED
 NO MANUAL CHECK - MAY BE MADE TO THIS DOCUMENT

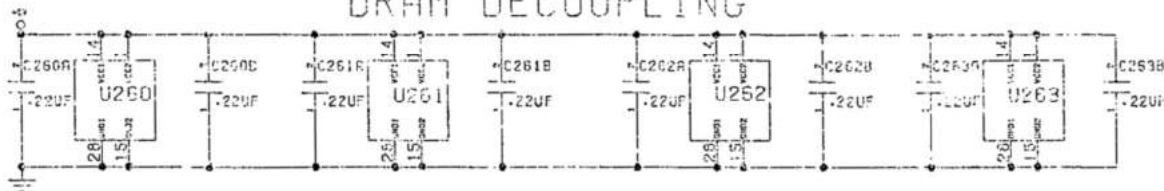
	QUANTITY PART NUMBER DATE (REV)	COMMODORE SCHEMATIC A400T
REFERENCE GROUP FILE NO KEYSET NO APPROV	1365149 1985180	SCALE NONE/PAGE 4 OF 15



CHIP RAM



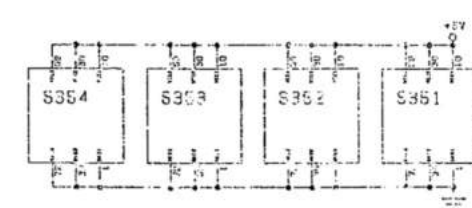
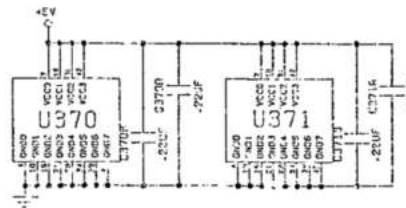
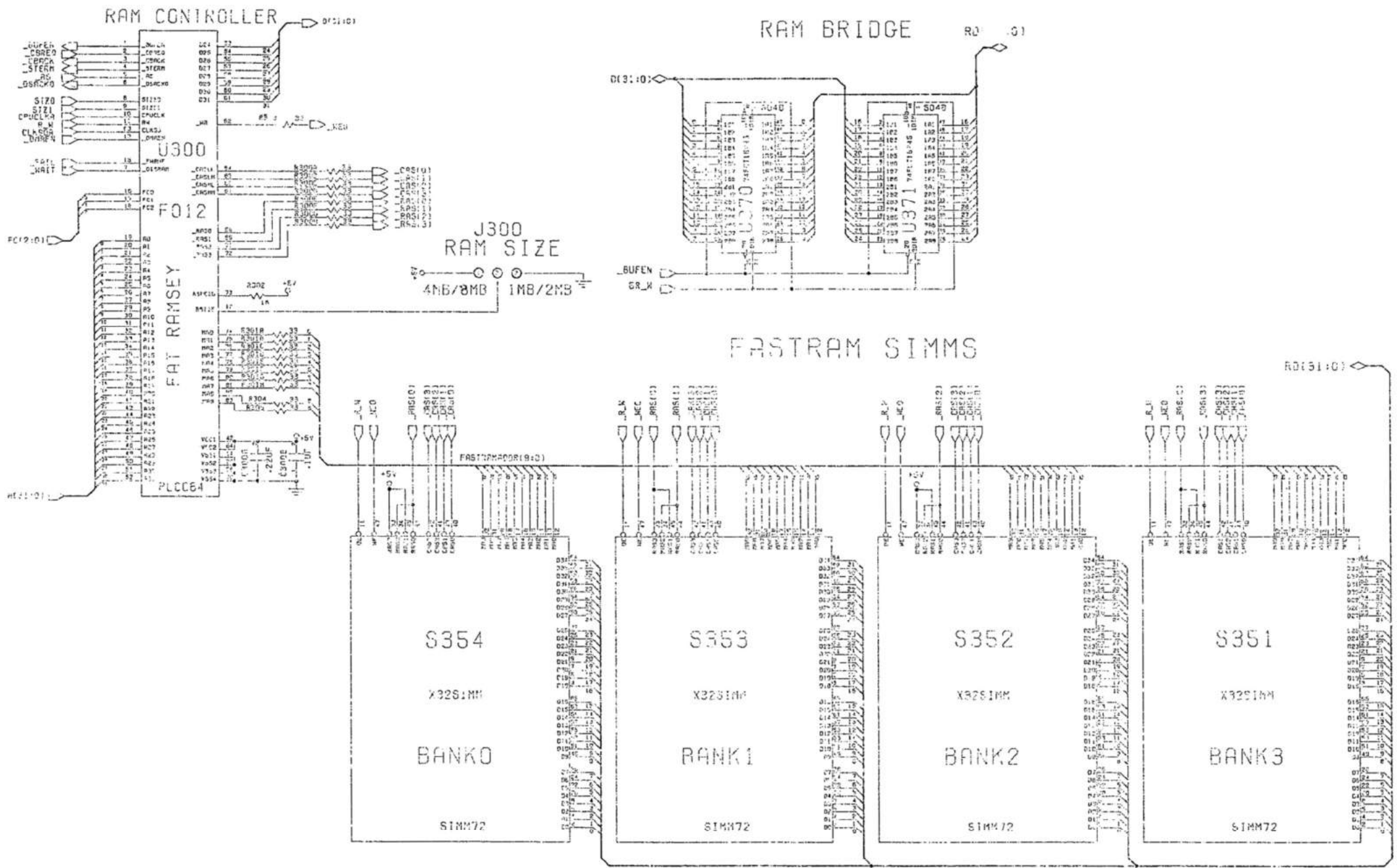
DRAM DECOUPLING



250-299

CHIP RAM

© 1990 COMMODORE BUSINESS MACHINES INFORMATION CONTAINED HEREIN IS THE UNCLASSIFIED, CONFIDENTIAL AND SECRET SERVICE PROPERTY OF COMMODORE BUSINESS MACHINES, INC. ANY USE REPRODUCTION OR DISSEMINATION OF THIS INFORMATION WITHOUT THE WRITTEN PERMISSION OF COMMODORE IS STRICTLY PROHIBITED.		DATE TIME BY NO. 305150	COMMODORE SCHEMATIC A4000 365149 6 OF 16
C.A.B. GENERATED NO MANUAL CHANGES MAY BE MADE TO THIS DOCUMENT		COMMODORE BUSINESS MACHINES	



300-399

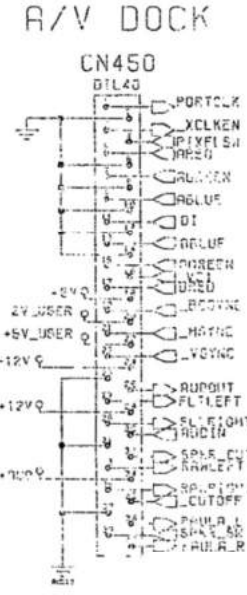
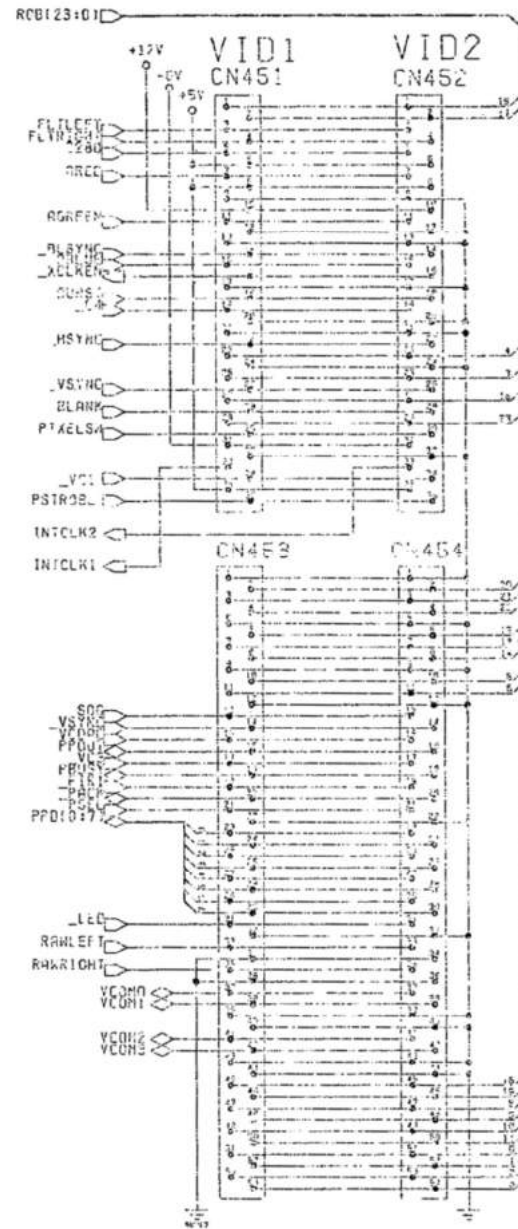
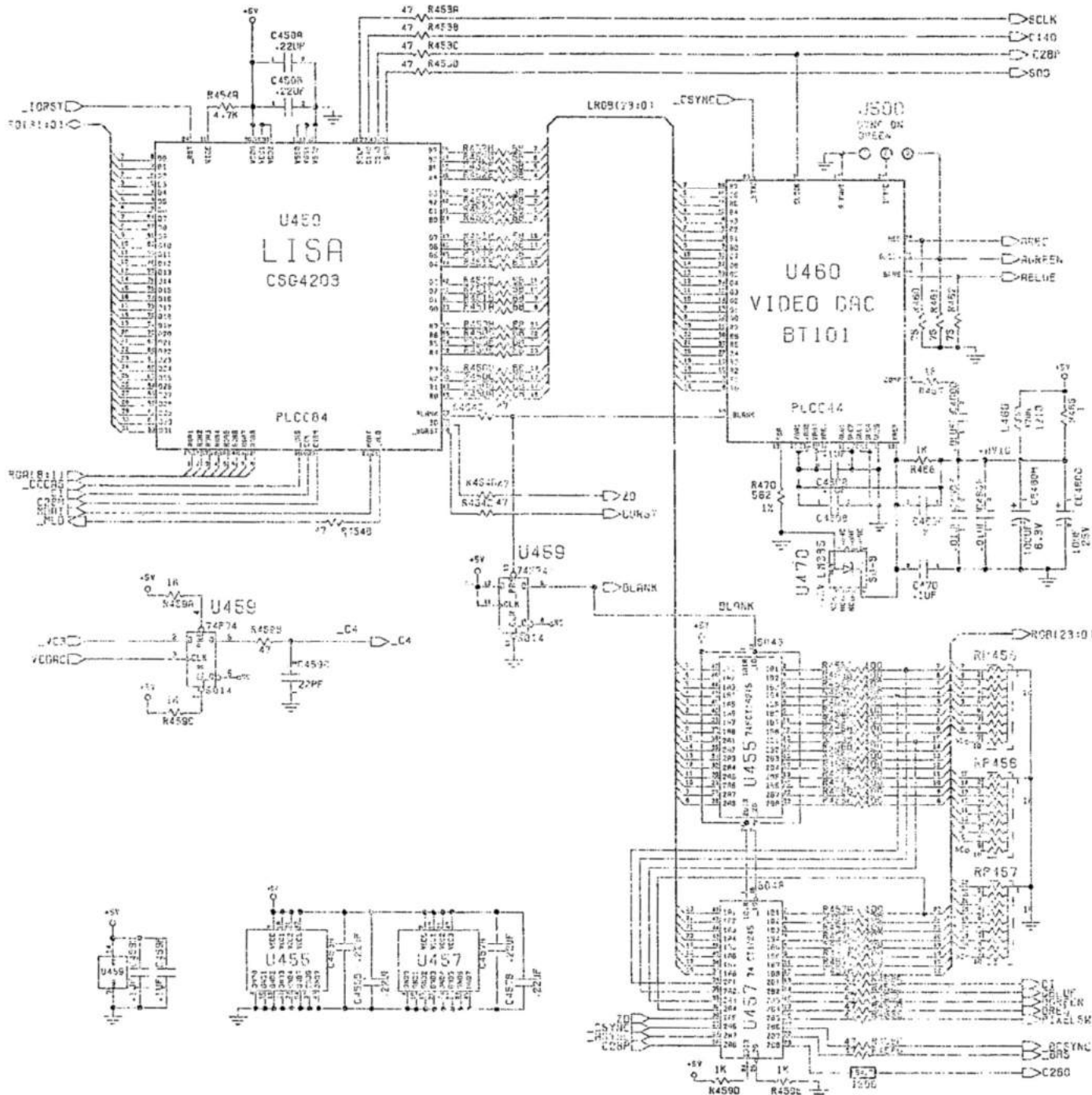
FAST RAM

© 1984 COMMODORE BUSINESS SYSTEMS CORPORATION. COMMODORE BUSINESS SYSTEMS IS A REGISTERED TRADEMARK OF COMMODORE BUSINESS SYSTEMS, INC. ALL RIGHTS RESERVED. NO PART OF THIS DOCUMENT MAY BE REPRODUCED OR TRANSMITTED IN ANY FORM OR BY ANY MEANS WITHOUT THE WRITTEN PERMISSION OF COMMODORE BUSINESS SYSTEMS, INC.

C.P.D. GENERATED

NO PART OF THIS DOCUMENT IS TO BE REPRODUCED OR TRANSMITTED IN ANY FORM OR BY ANY MEANS WITHOUT THE WRITTEN PERMISSION OF COMMODORE BUSINESS SYSTEMS, INC.

COMMODORE SCHEMATIC A4000T 365149

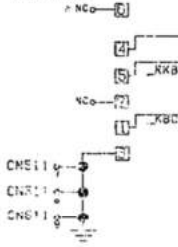


400-499

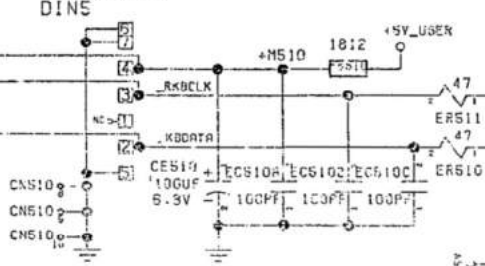
LISA

© 1977 COMMODORE INTERNATIONAL, INC.		R-35811 (REV. 1/80)	
REPRODUCING OR TRANSMITTING IN ANY FORM OR BY ANY MEANS, WITHOUT PERMISSION IN WRITING FROM COMMODORE INTERNATIONAL, INC., IS PROHIBITED.			
COMMODORE		SCHEMATIC	
R4000T		E1365149	
C.A.D. GENERATED		SCALE: NONE (1:1) (2 OF 12)	

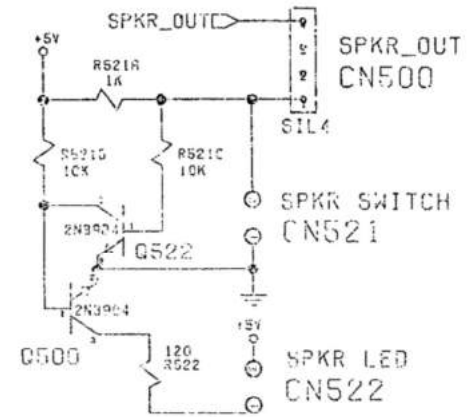
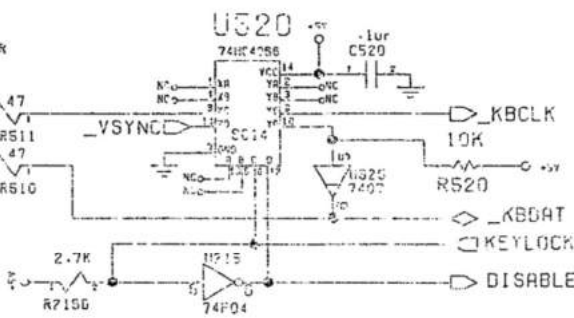
KEYBOARD
CN511



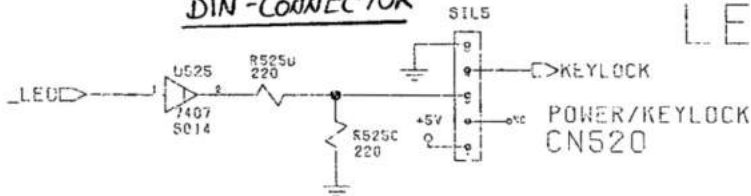
KEYBOARD
CN510



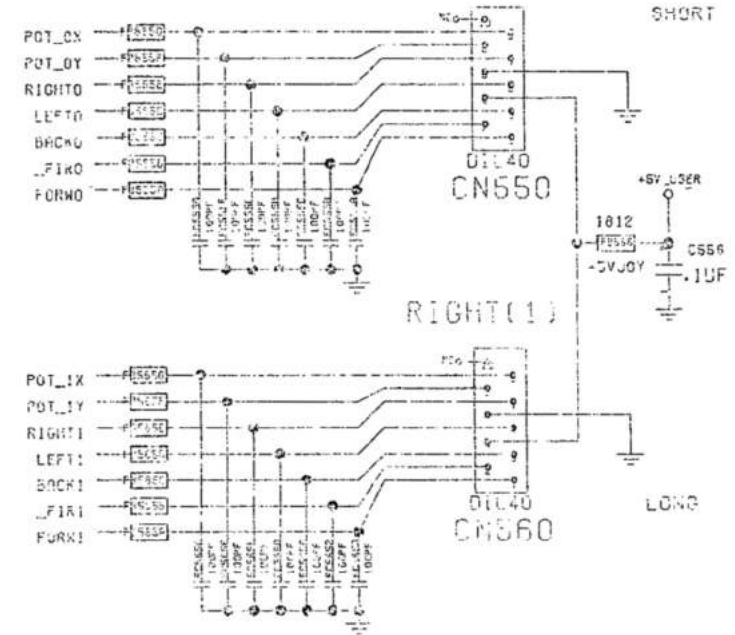
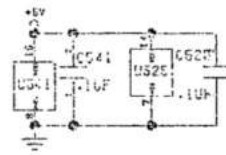
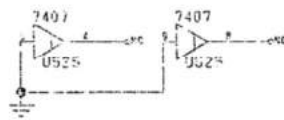
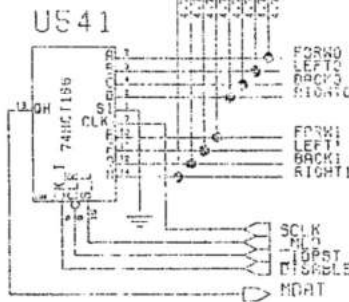
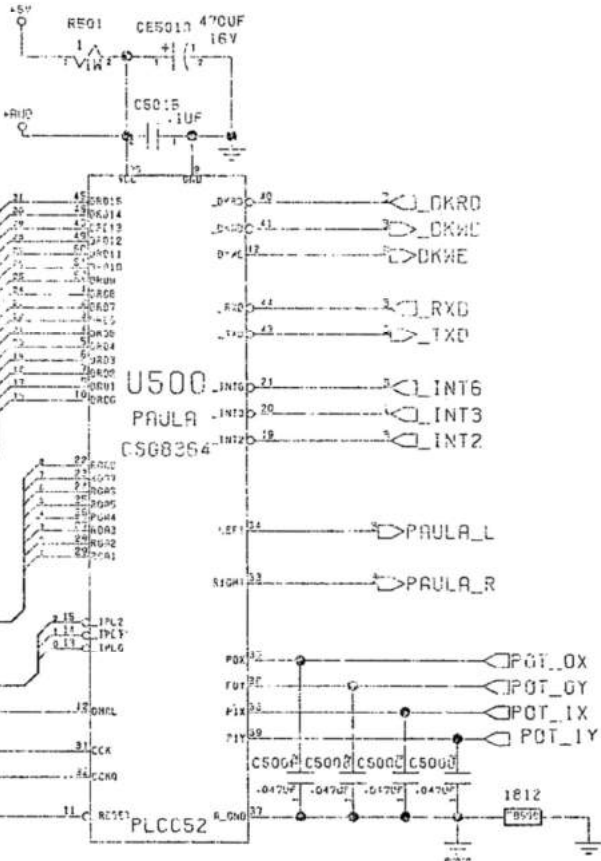
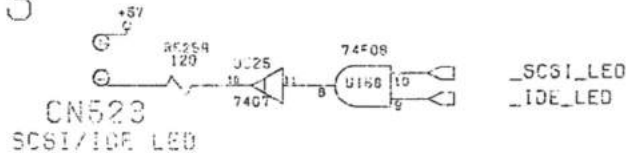
KEYLOCK



DIN-CONNECTOR



LEDS



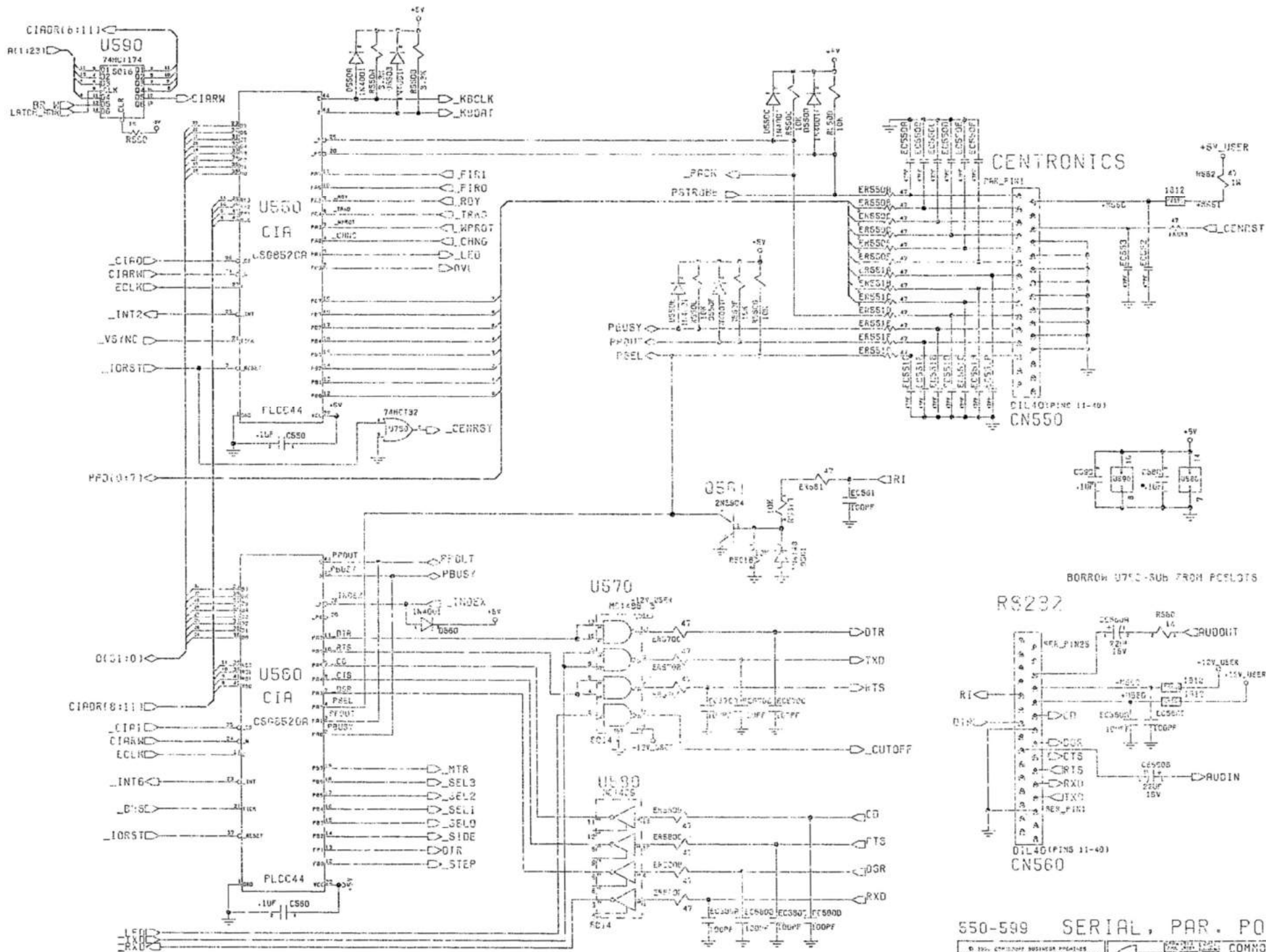
500-549

PAULA

© 1990 COMPTON SYSTEMS, INC. ALL RIGHTS RESERVED. INFORMATION CONTAINED HEREIN IS UNCLASSIFIED, UNCONTROLLED, AND TRADE SECRET PROTECTED BY COMPTON BUSINESS PRACTICES, INC. AND U.S. PATENT OFFICE. REPRODUCTION BY DISSEMINATION OF THIS INFORMATION WITHOUT THE WRITTEN PERMISSION OF COMPTON IS EXPRESSLY PROHIBITED.
C.A.D. GENERATED
NO MANUAL CHANGES MAY BE MADE TO THIS DRAWING

	MODEL: 500-549 REV: 1 DATE: 11/19/90 BY: 365160	PART: PAULA REV: 1 DATE: 11/19/90 BY: 365160	COMMODORE SCHEMATIC A4000T 365149 SCALE: NONE SHEET 9 OF 18
	11/19/90 11:11 AM		

BORROW U158-SUB FROM GARY
BORROW U215-SUB FROM ALICE



CENTRONICS

CN550

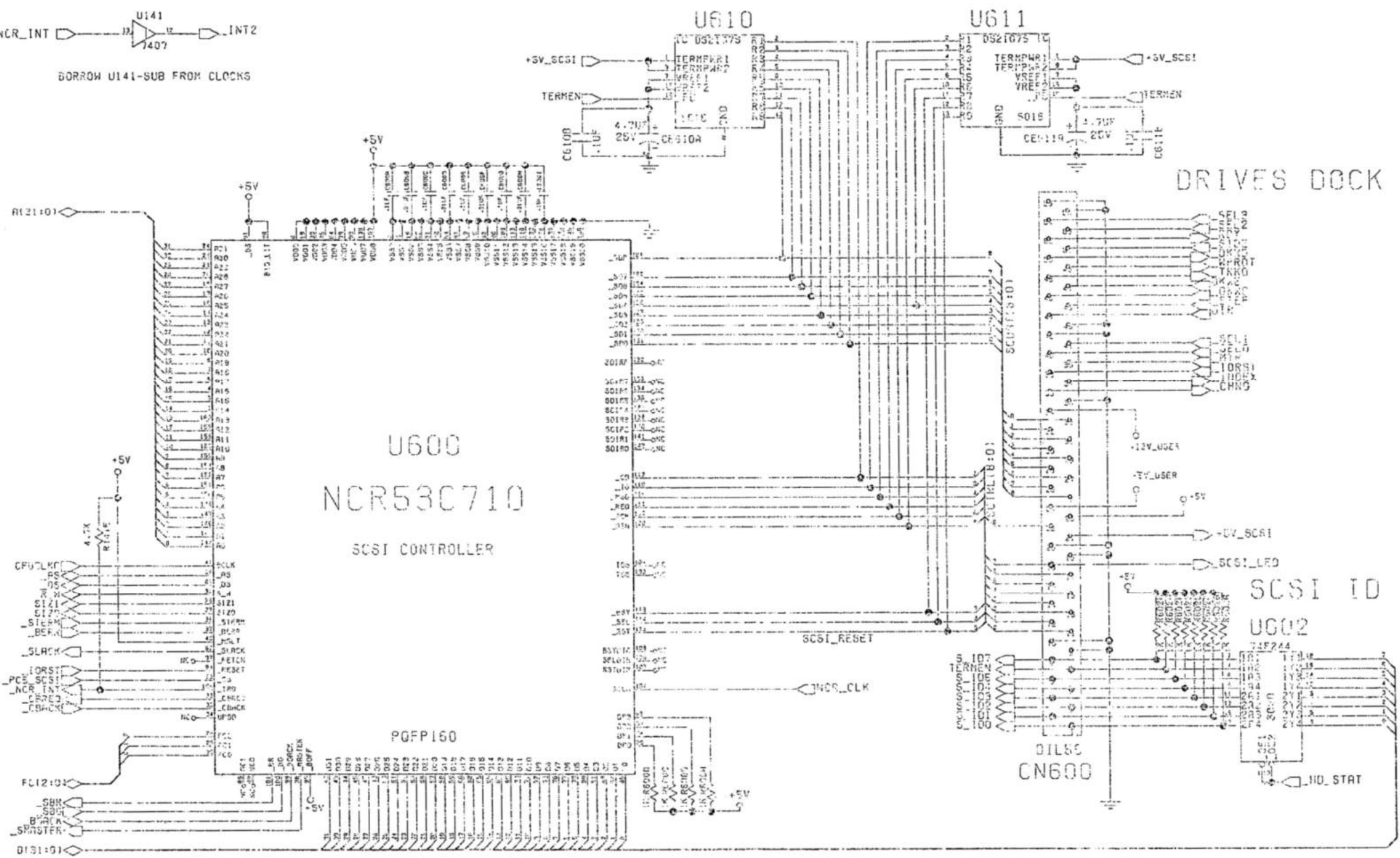
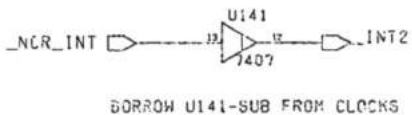
R6232

CN560

550-599 SERIAL, PAR. PORTS

	COMODORE
	ST-HERRIC
A4000T	
C13661491C	
U.S. PATENTED	
REGISTERED TRADEMARK	

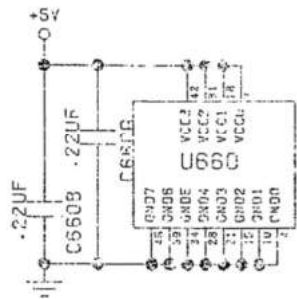
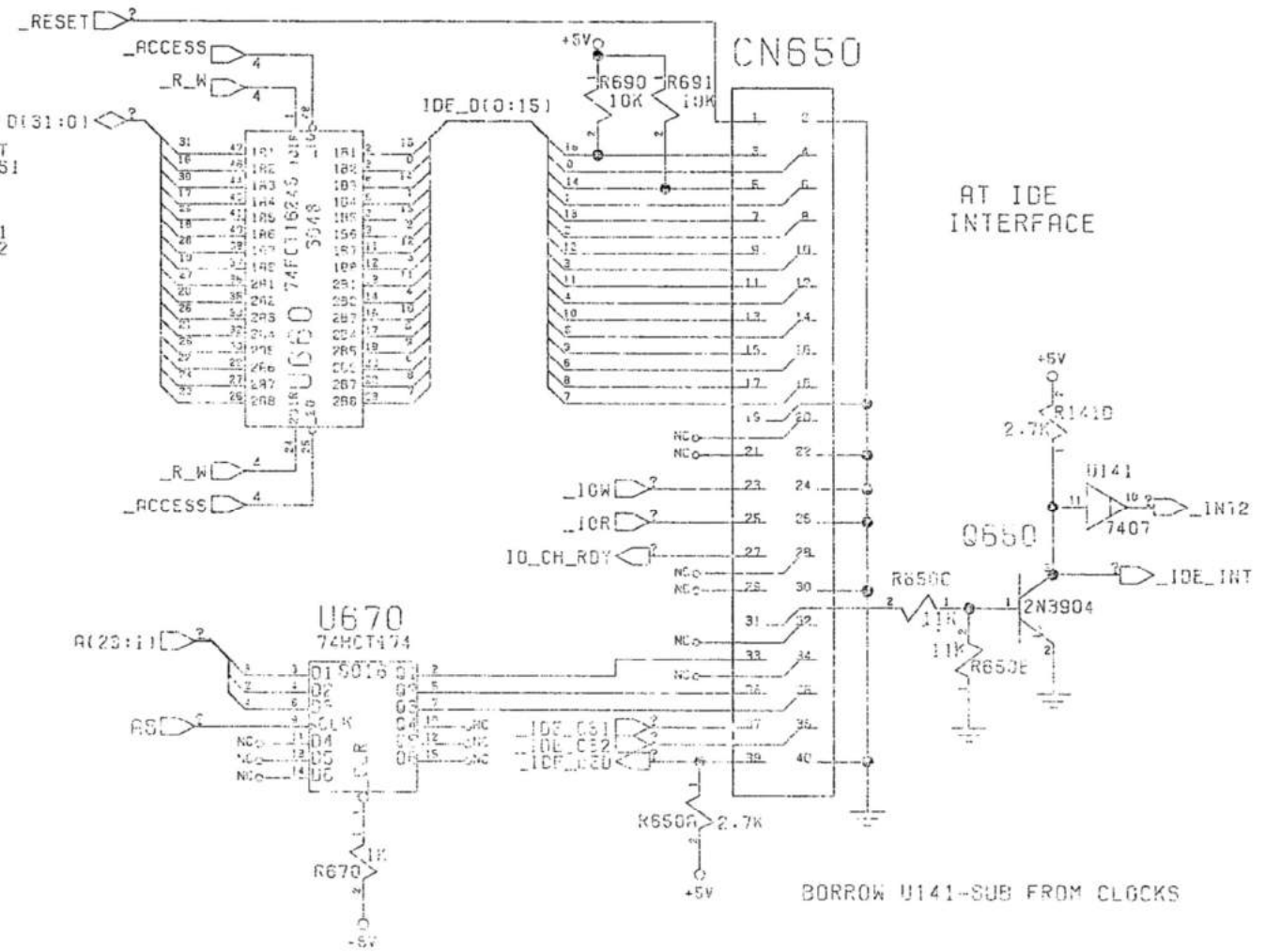
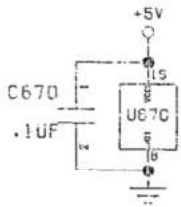
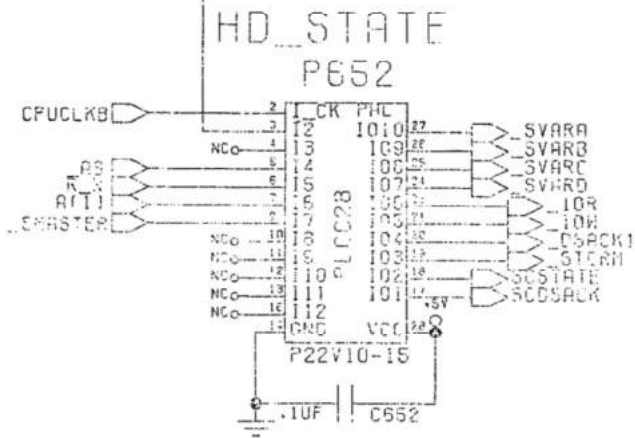
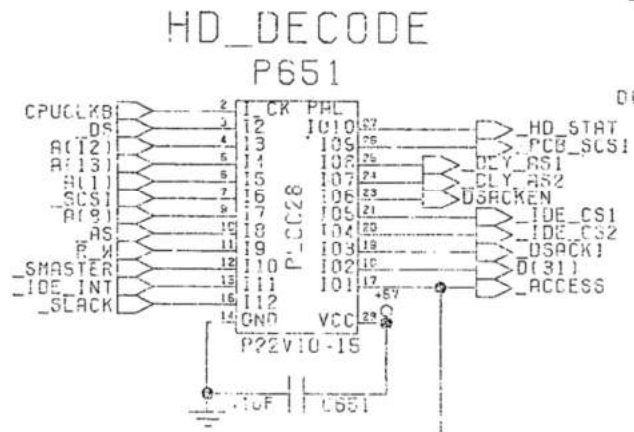
ACTIVE TERMINATION



600-649

SCSI

© 1982 COMPTON-PRIO, INC. REPRODUCTION OR TRANSMISSION IN ANY FORM OR BY ANY MEANS, WITHOUT PERMISSION IN WRITING FROM COMPTON-PRIO, INC. IS PROHIBITED. C.P.D. GENERATED NO OTHER PARTS MAY BE ADDED TO THIS PRODUCT			DATE: 10/27/82	SCALE: NONE
COMPTON-PRIO, INC. 3661 RIVERVIEW DRIVE ANN ARBOR, MI 48106 3661 RIVERVIEW DRIVE ANN ARBOR, MI 48106			REV: 1	SCALE: NONE
C.P.D. GENERATED		3651491c		
NO OTHER PARTS MAY BE ADDED TO THIS PRODUCT		SCSI50 SHEET 11 OF 15		



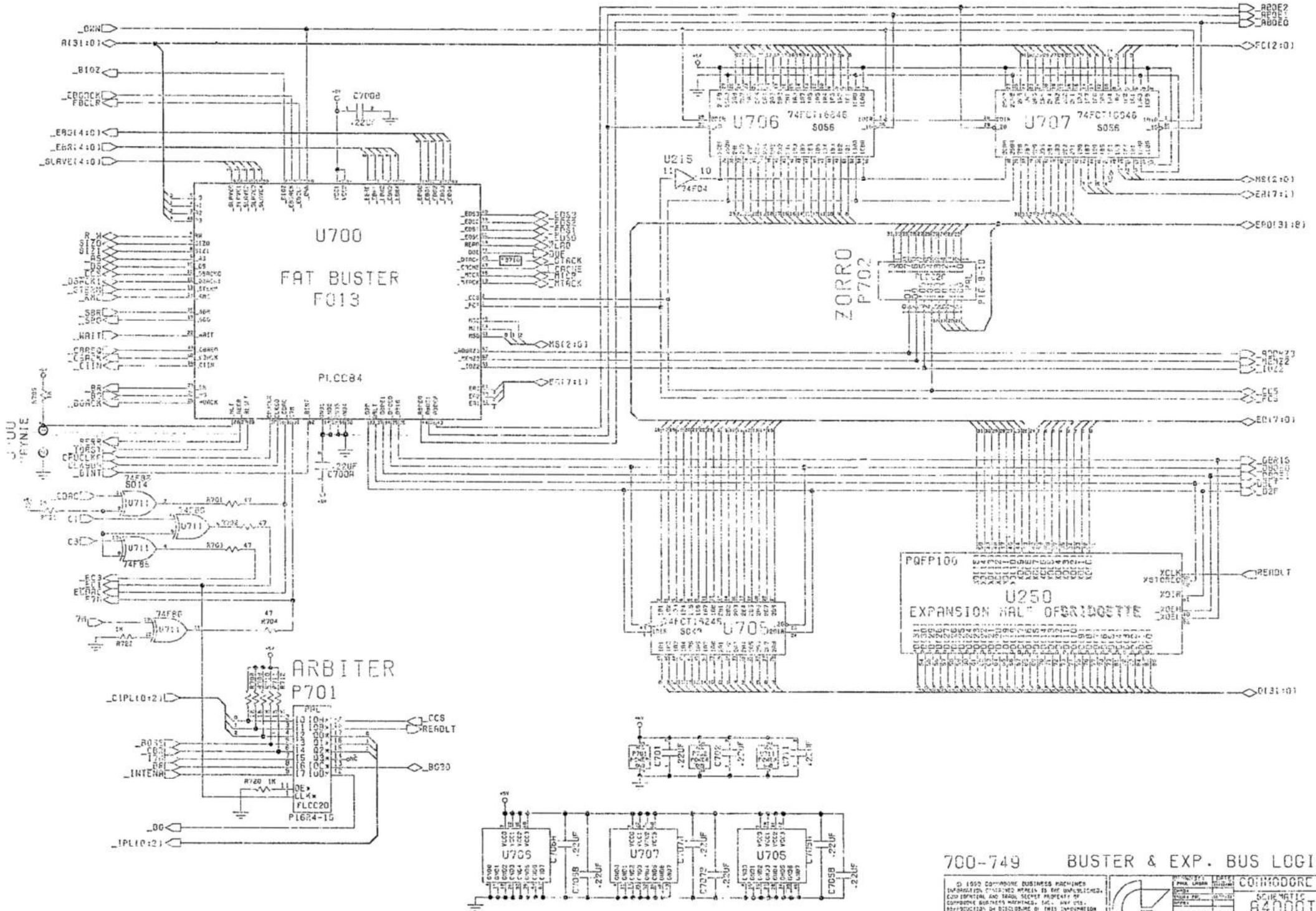
650-699

AT IDE HD INTERFACE

© 1990 COMMODORE BUSINESS MACHINES
 INFORMATION CONTAINED HEREIN IS THE UNPUBLISHED,
 CONFIDENTIAL AND TRADE SECRET PROPERTY OF
 COMMODORE BUSINESS MACHINES, INC. ANY USE,
 REPRODUCTION OR DISCLOSURE OF THIS INFORMATION
 WITHOUT THE PRIOR WRITTEN PERMISSION OF
 COMMODORE IS STRICTLY PROHIBITED.

C.A.D. GENERATED
 NO MANUAL CHANGES MAY BE MADE TO THIS DOCUMENT

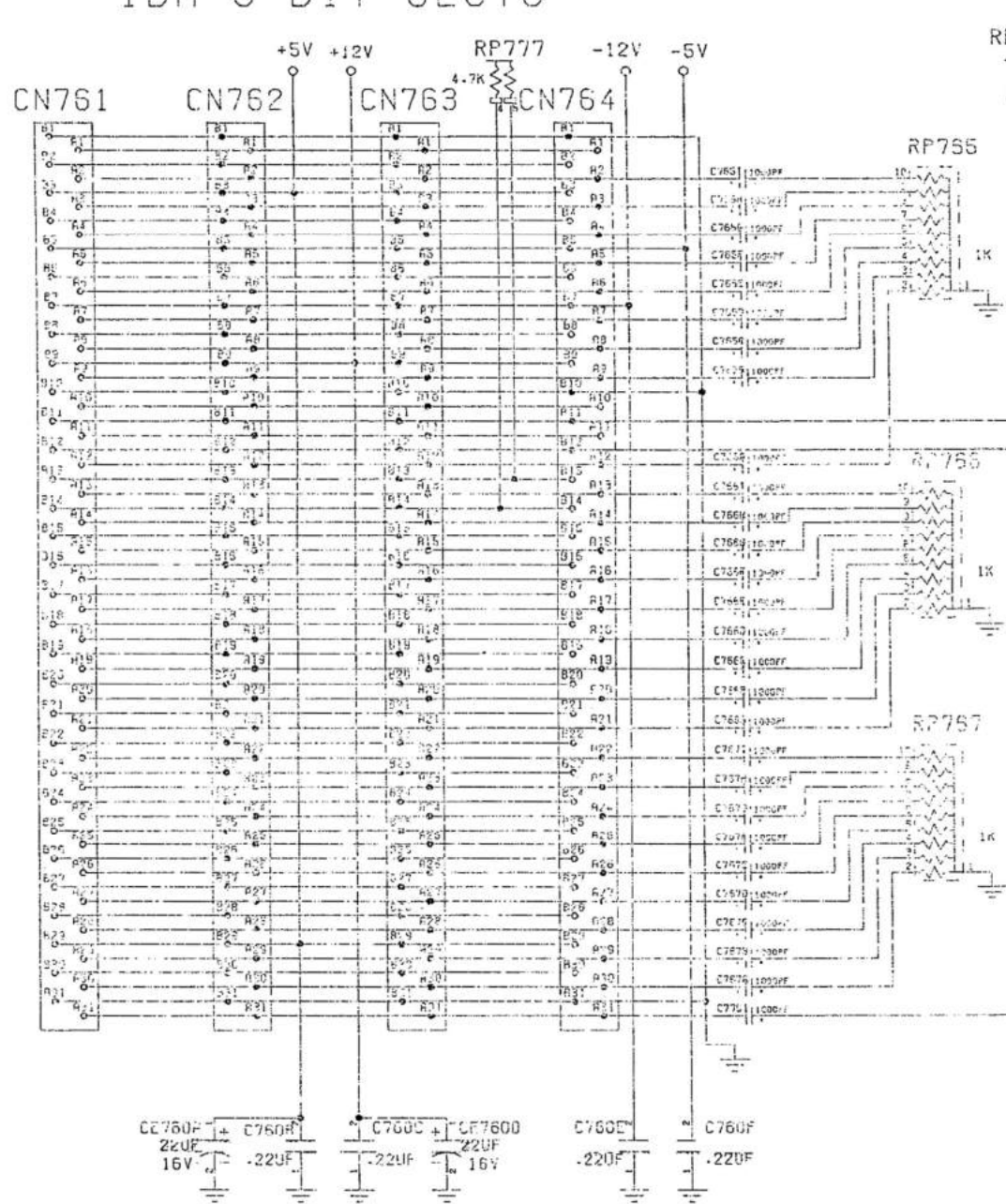
MINI-SERIAL PPPL LASSA	DATE 11/19/90	COMMODORE	
CARD#		SCHEMATIC	
REV#1	06/11/90	A4000T	
APP#1		PT#	REV
REFERENCE GROUP		C	C
USED ON	NEXT ASSY	C	365149
44000T	365150	SCALE	NONC
PAGE 12 OF 13			



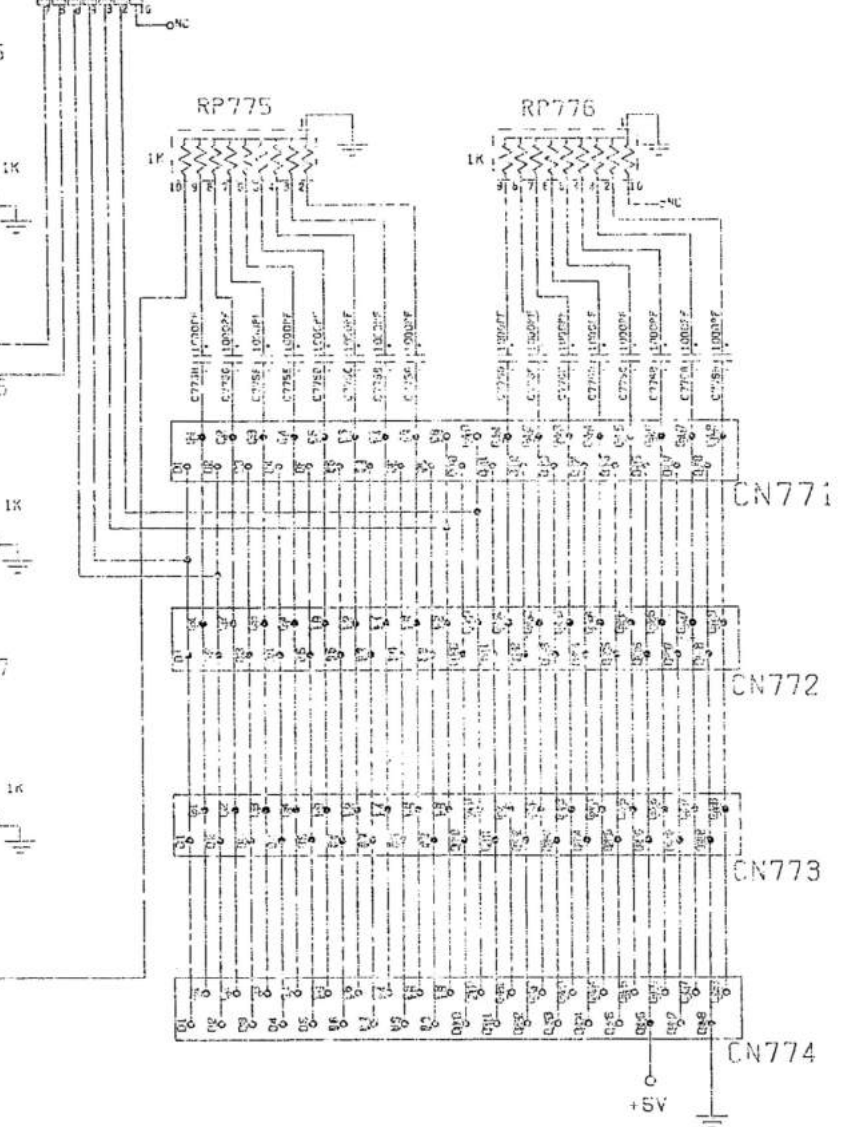
700-749 BUSTER & EXP. BUS LOGIC

© 1990 COMMODORE BUSINESS MACHINES INFORMATION CONTAINED HEREIN IS THE UNCLASSIFIED, EOD (EXEMPT) AND TRADE SECRET PROPERTY OF COMMODORE BUSINESS MACHINES, INC. ANY USE, REPRODUCTION OR DISSEMINATION OF THIS INFORMATION WITHOUT THE PRIOR WRITTEN PERMISSION OF COMMODORE BUSINESS MACHINES, INC. IS PROHIBITED.		COMMODORE SCHEMATIC A4000T PART NO. 365150 REV. 1365149 C SCALE NONE SHEET 3 OF 3
C.A.D. GENERATED		COMMODORE BUSINESS MACHINES 1500 AVENUE D DUNDEE, ILLINOIS 61830

IBM 8 BIT SLOTS



IBM 16 BIT SLOTS



760-799

PC SLOTS

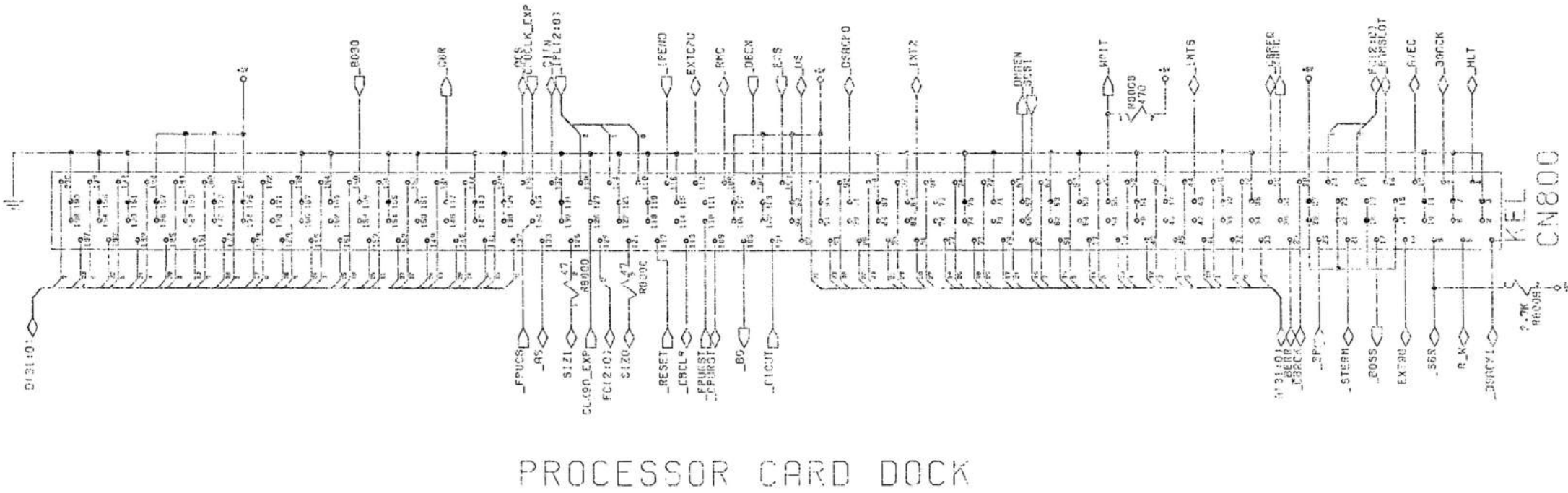
©1991 COMMODORE-PRIOR, INC.
 INFORMATION CONTAINED HEREIN IS THE UNPUBLISHED
 CONFIDENTIAL AND TRADE SECRET PROPERTY OF
 COMMODORE-PRIOR, INC. ANY USE, REPRODUCTION,
 OR DISCLOSURE OF THIS INFORMATION WITHOUT THE
 WRITTEN PERMISSION OF COMMODORE IS
 STRICTLY PROHIBITED.

C.A.D. GENERATED

NO MANUAL CHANGES MAY BE MADE TO THIS DOCUMENT

	DATE: _____ REV: _____ AUTH: _____ DESIGNED BY: _____ CHECKED BY: _____ APPROVED BY: _____ DATE: _____	COMMODORE SCHEMATIC A4000T
	USED ON: _____ REV: 0151 365150	SIZE: _____ 365149 SCALE: NONE SHEET 15 OF 15

AMIGA 32 BIT LOCAL SLOT



800-899

PROCESSOR

NO FURTHER COMMODORE BUSINESS MACHINES INFORMATION CONTAINED HEREIN IS TO BE UNCLASSIFIED, CONFIDENTIAL AND STATE SECRET INFORMATION OF COMMODORE BUSINESS SYSTEMS, INC. ANY USE, REPRODUCTION OR DISCLOSURE OF THIS INFORMATION WITHOUT THE PRIOR WRITTEN PERMISSION OF COMMODORE IS STRICTLY PROHIBITED.
C.A.D. GENERATED
NO REVISIONS SHOULD BE MADE TO THIS DOCUMENT

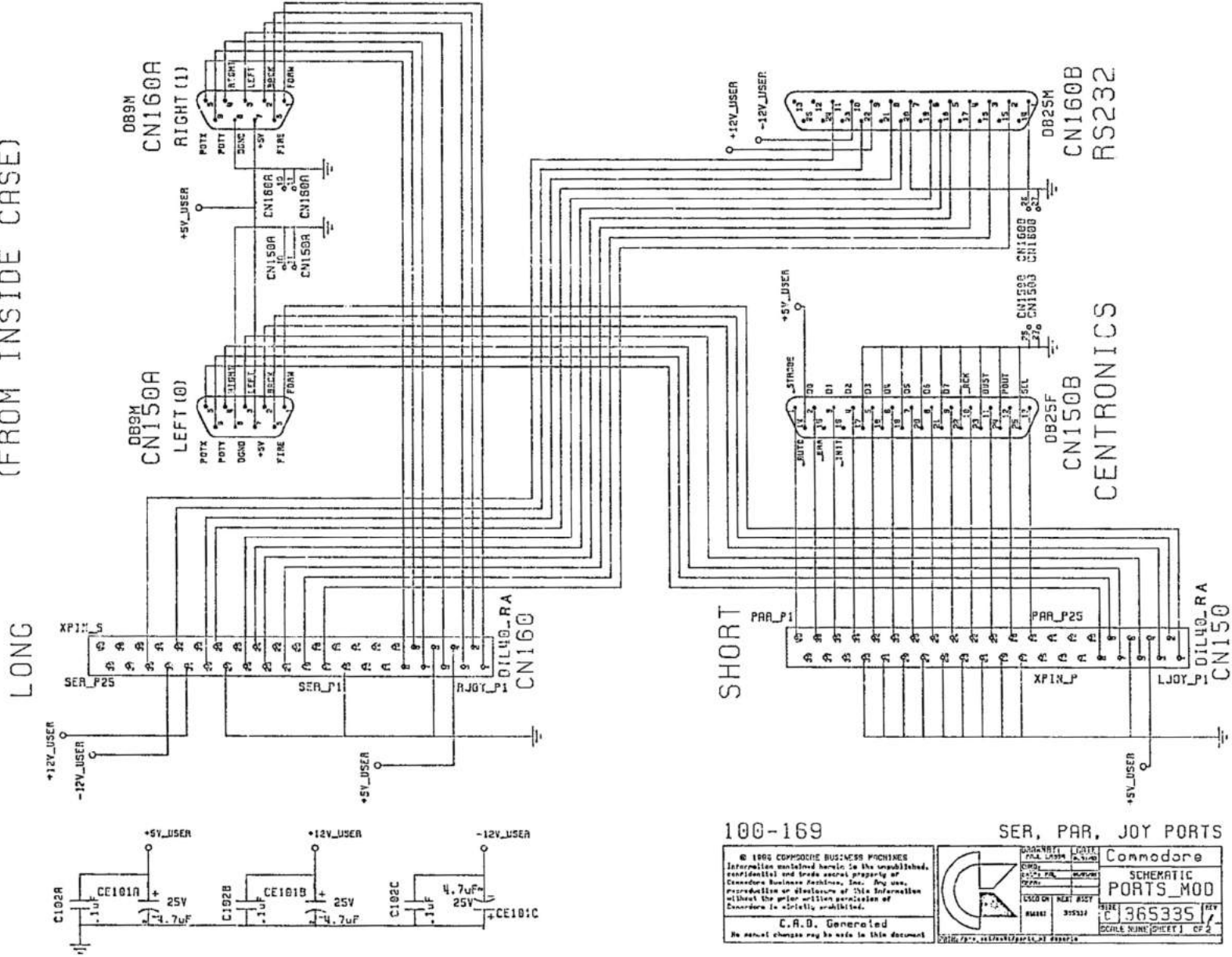


COMMODORE
SCHEMATIC
A4000T
DATE: 03/365149
SCALE: 1/16 INCH = 1/16 INCH

PORTS MODULE

REVISIONS				
ZONE	LTR	DESCRIPTION	DATE	APPROVED
	1	ADVANCE ENGINEERING RELEASE	4/27/83	JCB

SOLDER (BACK OF BOARD) VIEW
(FROM INSIDE CASE)



SHORT

CN150B
CN160B
RS232

CN150A
CN160A

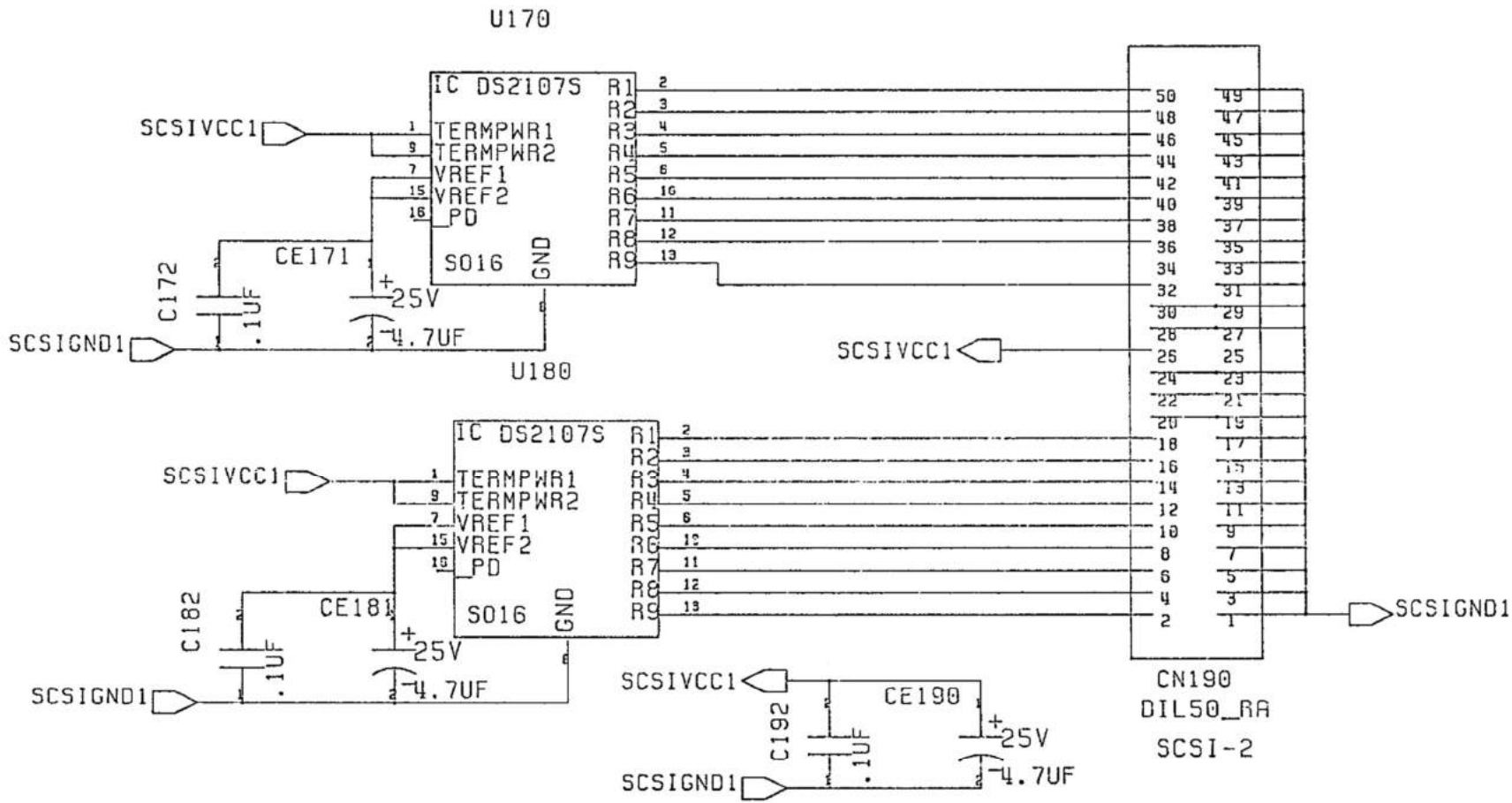
100-169

SER, PAR, JOY PORTS

© 1983 COMMODORE BUSINESS MACHINES
Information contained herein is the unpublished, confidential and trade secret property of Commodore Business Machines, Inc. Any use, reproduction or disclosure of this information without the prior written permission of Commodore is strictly prohibited.
C.A.D. Generated
No manual changes may be made in this document



DATE: 1/1/83	DATE: 1/1/83	DATE: 1/1/83	DATE: 1/1/83
DESIGNER: JCB	DESIGNER: JCB	DESIGNER: JCB	DESIGNER: JCB
CHECKED BY: JCB	CHECKED BY: JCB	CHECKED BY: JCB	CHECKED BY: JCB
FILE: 365335	FILE: 365335	FILE: 365335	FILE: 365335
SCHEMATIC		PORTS_MOD	
SHEET 1		OF 2	




170-199

SCSI TERMINATION

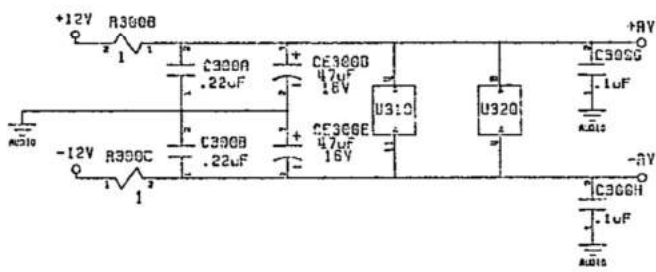
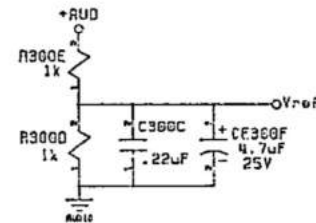
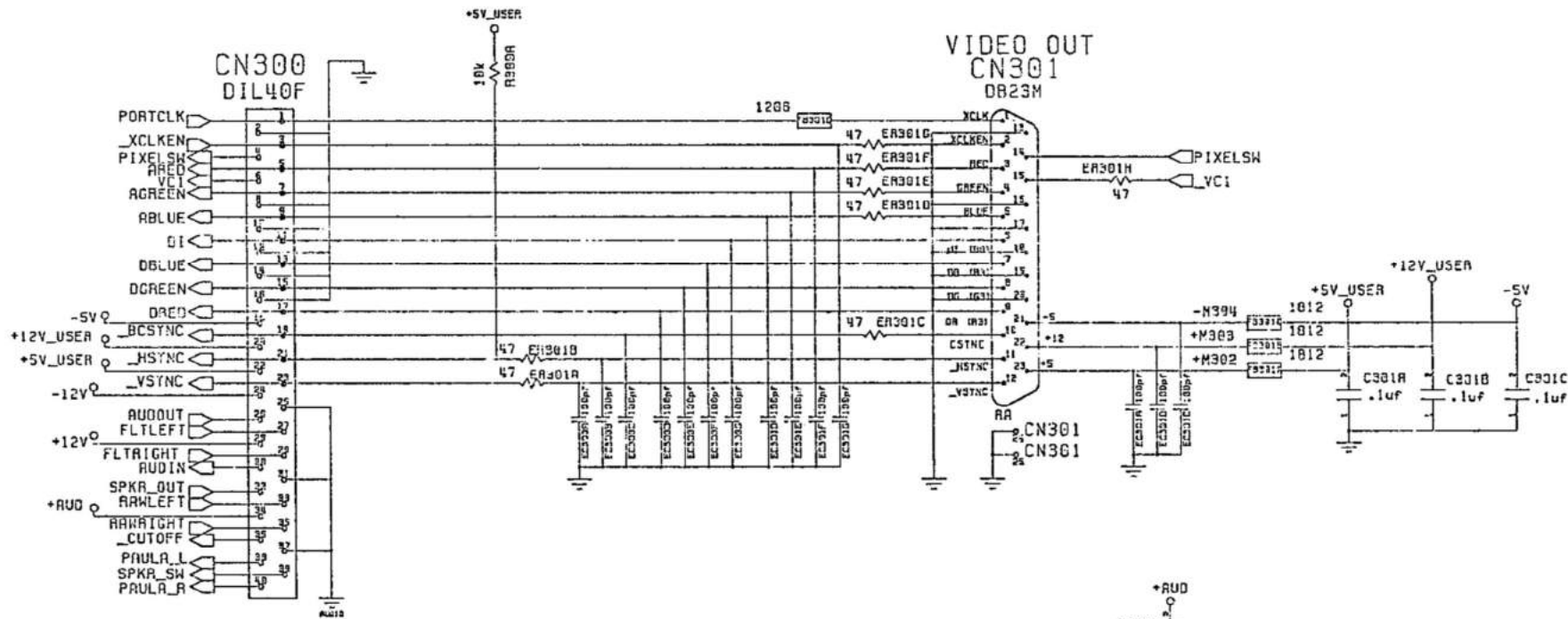
© 1990 COMMODORE BUSINESS MACHINES
 Information contained herein is the unpublished, confidential and trade secret property of Commodore Business Machines, Inc. Any use, reproduction or disclosure of this information without the prior written permission of Commodore is strictly prohibited.

C.A.D. Generated
 No manual changes may be made to this document

	DRAWN BY:	DATE:	Commodore SCHEMATIC PORTS_MOD	
	DAVE HAYNIE	5/25/92		
	CHKD:			
	ENGR: PAL	04/05/93		
APPR:			REFERENCE GROUP	
USED ON	NEXT ASSY	SIZE	REV	
R4000T	365337	C	365335	1
SCALE NONE			SHEET 2 OF 2	
PATH: /project/ea41/ports_n7_scalterm				

AUD_VID MODULE

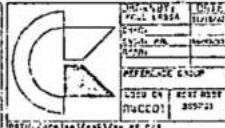
ZONE		LYR	DESCRIPTION	DATE	APPROVED
		/	ADVANCE ENGINEERING RELEASE	4/23/93	LICB



300-301

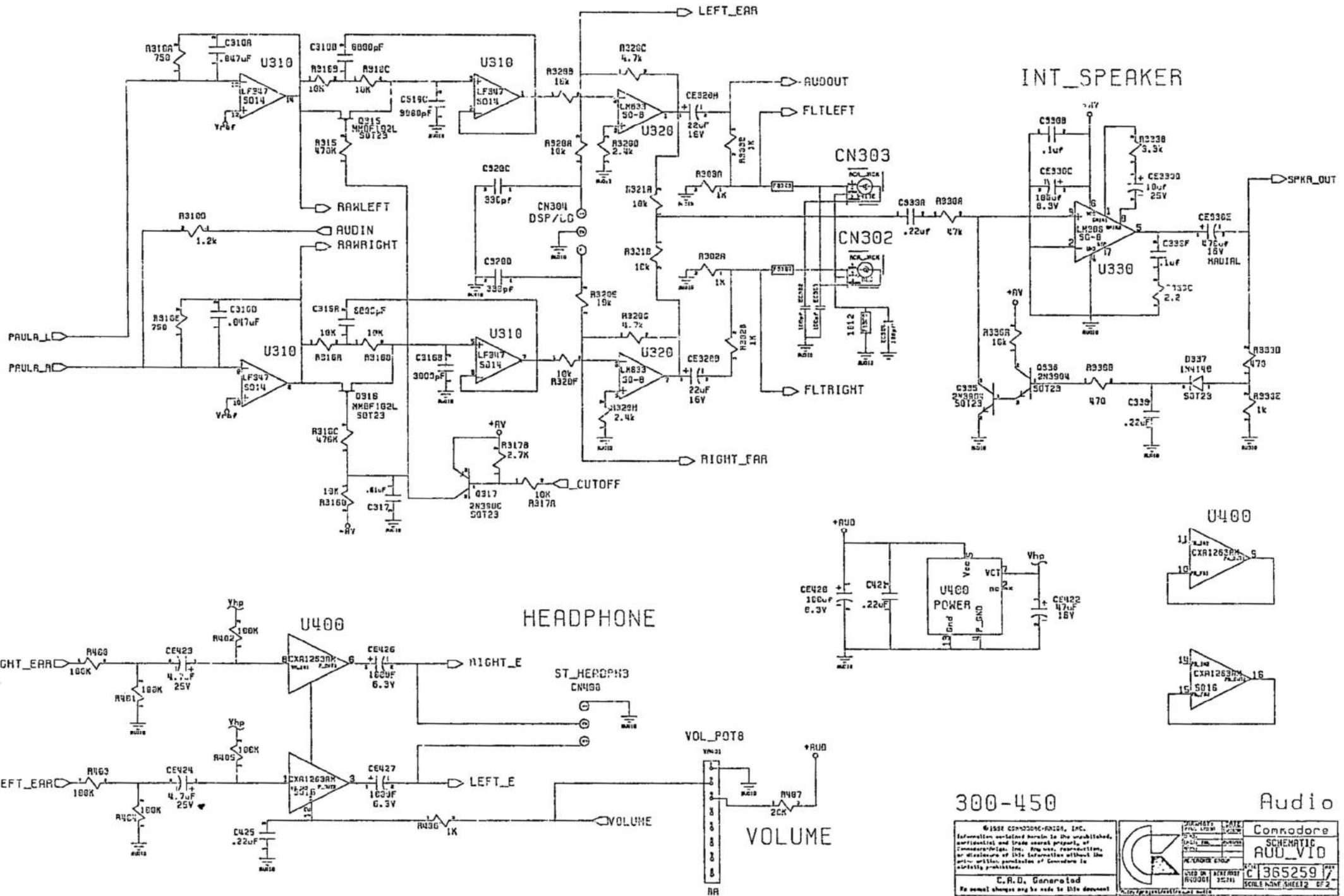
RGB Video

©1987 COMMODORE-INT'L, INC.
 Information disclosed herein is the unpublished, confidential, and trade secret property of Commodore-Int'l, Inc. Any use, reproduction, or disclosure of this information without the prior written permission of Commodore is strictly prohibited.
 C.R.D. Generated!
 No manual changes may be made to this document.



DATE: 1/19/87	REV: 1	SCALE: 100%
Commodore		
SCHEMATIC		
AUD_VID		
SIZE: C	365259	17
SCALE: NONE SHEET 1 OF 2		

AUD_VID MODULE



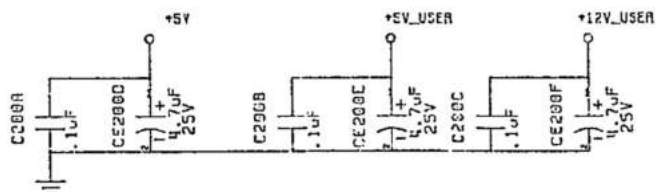
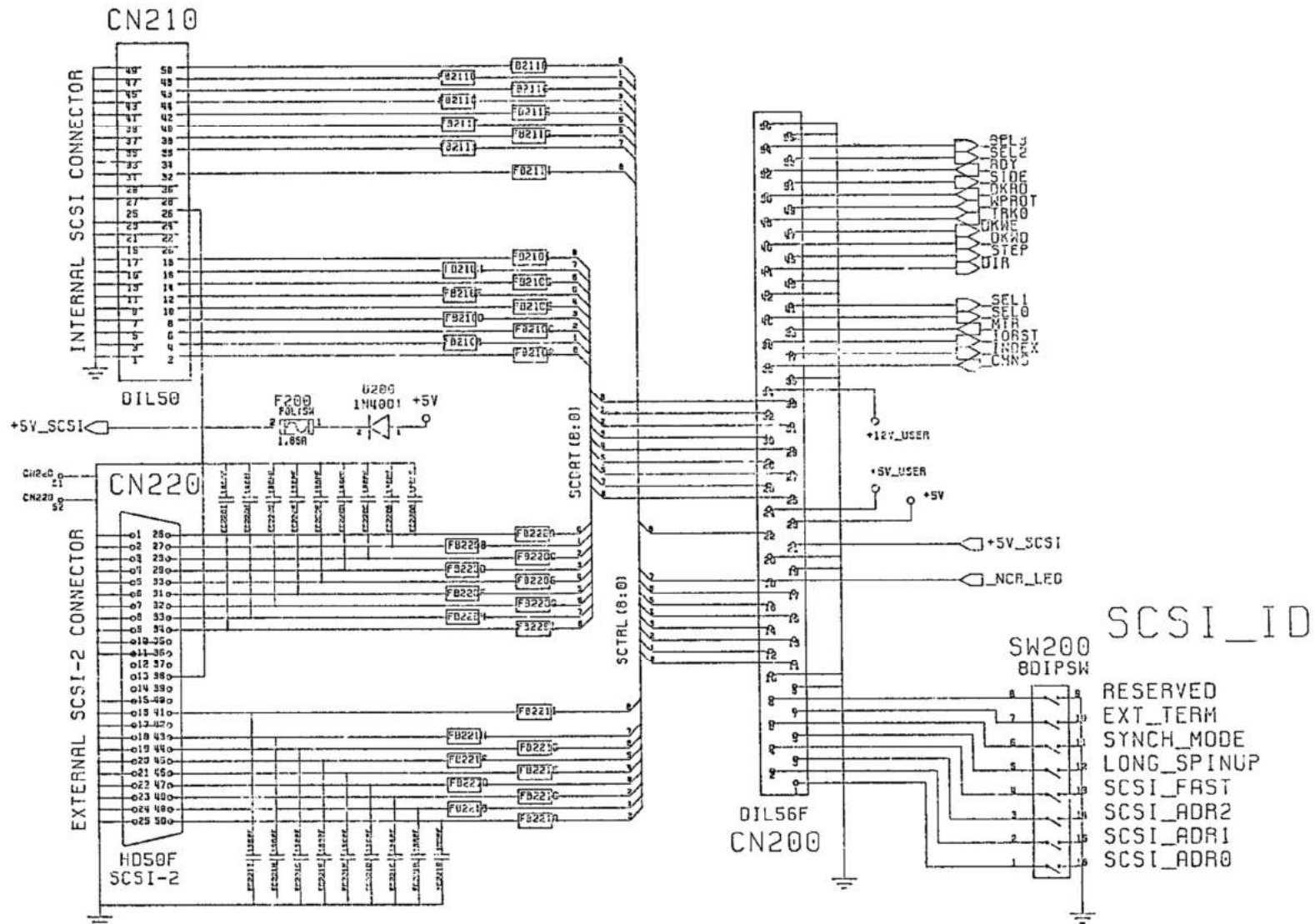
300-450

Audio

	©1982 COMODORE-FRISA, INC. Information contained herein is the unpublished, confidential and trade secret property of Commodore/Friska, Inc. Any use, reproduction, or disclosure of this information without the prior written permission of Commodore is strictly prohibited.	SHEETS: 1 FILE: AUD_VID DATE: 12/21/81 DESIGNED BY: J. H. GARDNER DRAWN BY: J. H. GARDNER CHECKED BY: J. H. GARDNER USED ON: 3747/8171 REVISED: 3/2/81	Comodore SCHEMATIC AUD_VID C1365259 SCALE: HALF SHEET 2 OF 2
	C.R.D. Generated		For some changes may be made to this document
	No other changes may be made to this document		

DISK MODULE

REVISIONS			
REV#	LTR	DESCRIPTION	DATE APPROVED
1		ADVANCE ENGINEERING RELEASE	2/13/85 95




200-249

SCSIports

© 1980 COMMODORE BUSINESS MACHINES
Information contained herein is the unpublished,
confidential and trade secret property of
Commodore Business Machines, Inc. Any use,
reproduction or disclosure of this information
without the prior written permission of
Commodore is strictly prohibited.

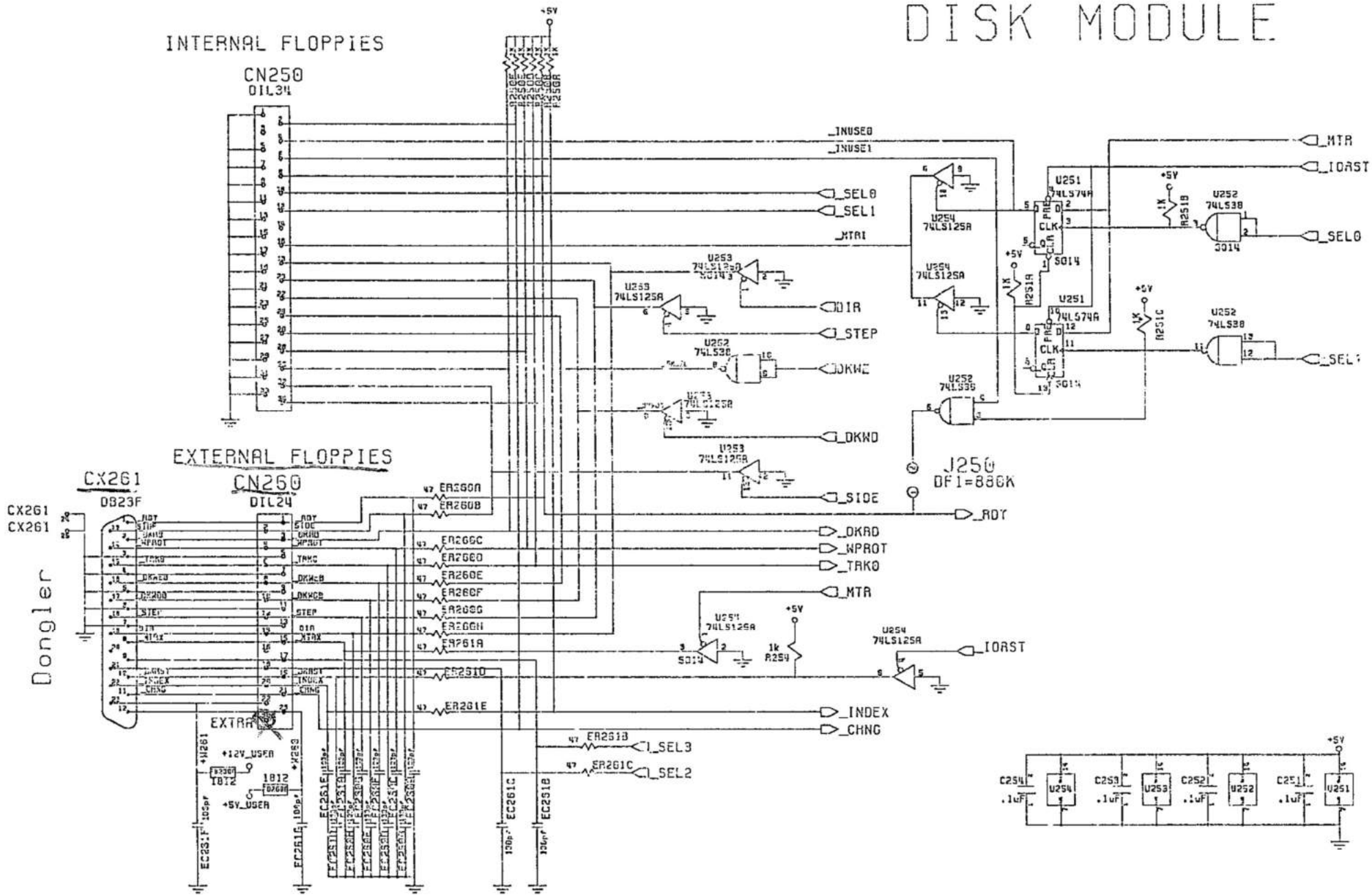
C.R.D. Generated
No manual changes may be made to this document

	PART NUMBER 200-249	DATE 1/21/85	SCALE 1:1
	CHECKED BY C.R.D.	DRAWN BY C.R.D.	APPROVED BY C.R.D.
REFERENCE GROUP USED ON PART 200-249 REV 0001 090359			SHEET C 365255 SCALE NONE SHEET 1 OF 3

SCSI_ID

- RESERVED
- EXT_TERM
- SYNCH_MODE
- LONG_SPINUP
- SCSI_FAST
- SCSI_ADR2
- SCSI_ADR1
- SCSI_ADR0

DISK MODULE



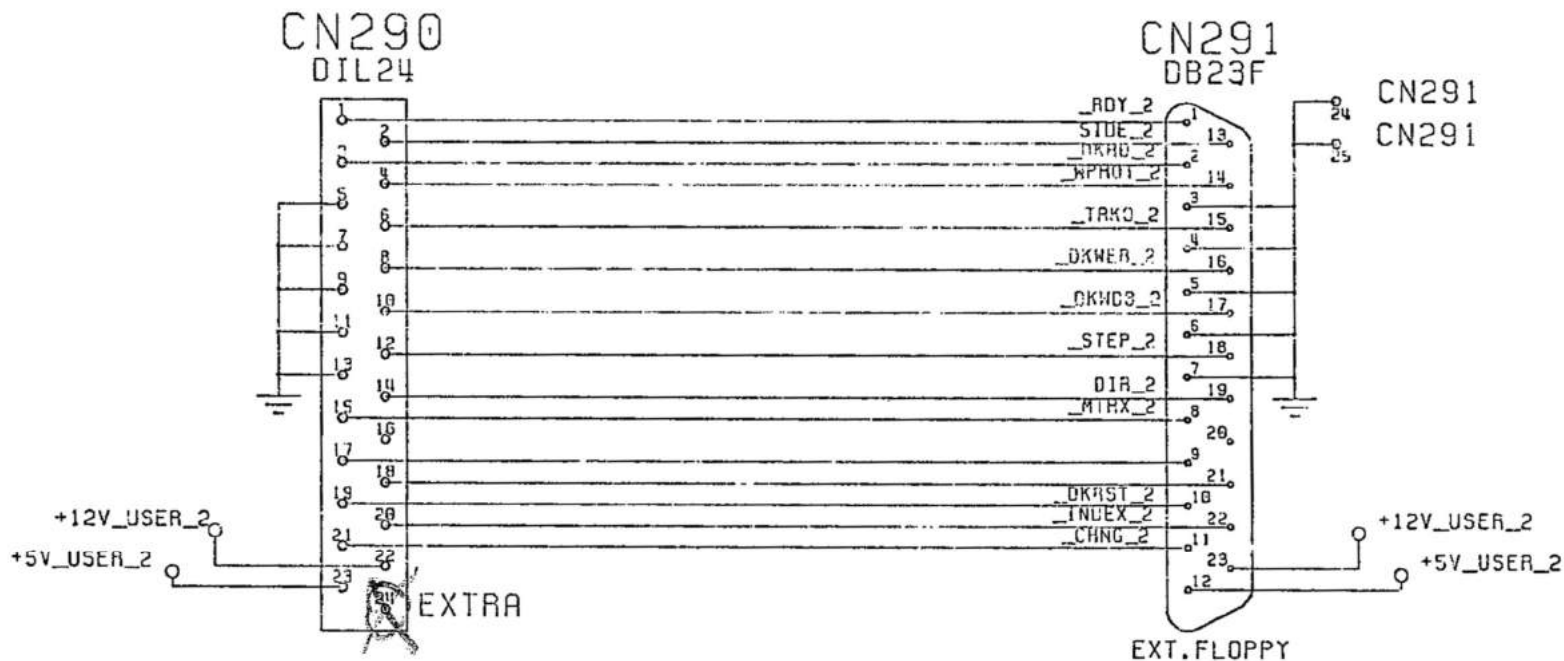
250-289

Floppy

© 1980 COMMODORE BUSINESS MACHINES Information contained herein is the unpublished, confidential and trade secret property of Commodore Business Machines, Inc. Any use, reproduction or disclosure of this information without the prior written permission of Commodore is strictly prohibited.		AUTHORITY: 1-1181 DATE: 11/11/80 BY: [Signature] APPROVED: [Signature] REVISION GROUP: [Blank] FILE NO: [Blank]	Commodore SCHEMATIC DISK MOD C1365255 17 SHEET 2 OF 3
C.A.D. Generated No actual changes may be made to this document		FILE: [Blank]	

DISK MODULE

' Flidget '



290-299

EXTfloppy widget

© 1990 COMMODORE BUSINESS MACHINES
 Information contained herein is the unpublished,
 confidential and trade secret property of
 Commodore Business Machines, Inc. Any use,
 reproduction or disclosure of this information
 without the prior written permission of
 Commodore is strictly prohibited.

C.A.D. Generated
 No manual changes may be made to this document.



GARANTY: PAUL LASSA CHKD: ENGR: PHL APPR:	DATE 07/25/92 01/20/93	Commodore SCHEMATIC DISK_MOD
REFERENCE GROUP USED ON A40001	NEXT ASST 365257	SIZE C 365255 1 SCALE NONE SHEET 3 OF 3

\\P:\file\project\ee4\disk_n2 Flidget